



Tools for Chefs

# HEAVY DUTY PLANETARY MIXER

222836, 222843, 222966, 222973



You should read this user manual carefully before using the appliance.

Bevor Sie das Gerät in Betrieb nehmen, sollten Sie diese Gebrauchsanweisung aufmerksam lesen.

Alvorens de apparatuur in gebruik te nemen dient u deze gebruiksaanwijzing aandachtig te lezen.

Przed uruchomieniem urządzenia należy koniecznie dokładnie przeczytać niniejszą instrukcję obsługi.

Lisez attentivement ce mode d'emploi avant d'utiliser l'appareil .

Prima di utilizzare l'apparecchio in funzione leggere attentamente le istruzioni per l'uso.

Citiți cu atenție prezentul manual de utilizare înainte de folosirea aparatului.

Внимательно прочитайте руководство пользователя перед использованием прибора.

Πρέπει να διαβάσετε αυτές τις οδηγίες χρήσης προσεκτικά πριν χρησιμοποιήσετε τη συσκευή.



Keep these instructions with the appliance.  
Diese Gebrauchsanweisung bitte beim Gerät aufbewahren.  
Bewaar deze handleiding bij het apparaat.  
Zachowaj instrukcję urządzenia  
Gardez ces instructions avec cet appareil.  
Conservate le istruzioni insieme all'apparecchio.  
Păstrați manualul de utilizare alături de aparat.  
Хранить руководство вместе с устройством.  
Φυλάξτε αυτές τις οδηγίες μαζί με τη συσκευή.



For indoor use only.  
Nur zur Verwendung im Innenbereich.  
Alleen voor gebruik binnenshuis.  
Do użytku wewnątrz pomieszczeń.  
Pour l'usage à l'intérieur seulement.  
Destinato solo all'uso domestico.  
Doar pentru uz la interior.  
Использовать только в помещениях.  
Για χρήση μόνο σε εσωτερικό χώρο.




Dear Customer,

Thank you for purchasing this Hendi appliance. Before using the appliance for the first time, please read this manual carefully, paying particular attention to the safety regulations outlined below.

---

## Safety regulations

- This appliance is not intended for household use.
- The appliance must only be used for the purpose for which it was intended and designed. The manufacturer is not liable for any damage caused by incorrect operation and improper use.
- Keep the appliance and electrical plug away from water and any other liquids. In the event that the appliance should fall into water, immediately remove plug from the socket and do not use until the appliance has been checked by a certified technician. Failure to follow these instructions could cause a risk to lives.
- Never attempt to open the casing of the appliance yourself.
- Do not insert any objects in the casing of the appliance.
- Do not touch the plug with wet or damp hands.
-  **Danger of electric shock!** Do not attempt to repair the appliance yourself. In case of malfunctions, repairs are to be conducted by qualified personnel only.
- **Never use a damaged appliance!** Disconnect the appliance from the electrical outlet and contact the retailer if it is damaged.
- **Warning!** Do not immerse the electrical parts of the appliance in water or other liquids. Never hold the appliance under running water.
- Regularly check the power plug and cord for any damage. If the power plug or power cord is damaged, it must be replaced by a service agent or similarly qualified persons in order to avoid danger or injury.
- Make sure the cord does not come in contact with sharp or hot objects and keep it away from open fire. To pull the plug out of the socket, always pull on the plug and not on the cord.
- Ensure that the cord (or extension cord) is positioned so that it will not cause a trip hazard.
- Always keep an eye on the appliance when in use.
- **Warning!** As long as the plug is in the socket the appliance is connected to the power source.
- Turn off the appliance before pulling the plug out of the socket.
- Never carry the appliance by the cord.
- Do not use any extra devices that are not supplied along with the appliance.
- Only connect the appliance to an electrical outlet with the voltage and frequency mentioned on the appliance label.
- Connect the power plug to an easily accessible electrical outlet so that in case of emergency the appliance can be unplugged immediately. To completely switch off the appliance pull the power plug out of the electrical outlet.
- Always turn the appliance off before disconnecting the plug.


EN



- Never use accessories other than those recommended by the manufacturer. Failure to do so could pose a safety risk to the user and could damage the appliance. Only use original parts and accessories.
- This appliance is not intended for use by persons (including children) with reduced physical, sensory or mental capabilities, or lack of experience and knowledge.
- This appliance must not be used by children under any circumstances.
- Keep the appliance and its cord out of reach of children.
- Always disconnect the appliance from the mains if it is left unattended or is not in use, and before assembly, disassembly or cleaning.
- Never leave the appliance unattended during use.

---

## Special Safety Regulations

- Use the machine only as described in this manual.
- This machine should be operated and installed by specialized trained personnel in the kitchen of the food industry such as catering, bakery, pizza, pastry, etc.
- All maintenance, installation and repair works should be performed by specialized trained authorized technicians.
-  An equipotential bonding terminal is provided at the rear side of the appliance to allow cross bonding with other equipment.
- Do not place the machine on a heating object (gasoline, electric, charcoal cooker, etc.) Keep the appliance away from any hot surfaces and open flames. Always operate the machine on a level, stable, clean, heat-resistant and dry surface.
- Do not use the machine near explosive or flammable materials, credit cards, magnetic discs or radios.
- Wear protective clothing, mask, or protective glasses if necessary during operation.
- This machine is not intended to be operated by means of an external timer or separate remote-control system.
- Never bypass any safety interlocks on the machine.
- **WARNING:** Keep all ventilation openings in the appliance clear of obstruction.
- **WARNING: ALWAYS** switch off the machine and unplug from electrical power supply before cleaning, maintenance or changing attachments.
- Allow at least 30 cm spacing around the appliance for ventilation purpose during use.
- **Caution!** Securely route the power cord if necessary in order to prevent unintentional pulling or contact with the heating surface.
- **WARNING! ALWAYS** keep hands, long hair and loose clothing away from the moving parts.
- Do not put hands into the guarded area and mixing bowl when the machine is in operation.
- Do not load too much ingredients in order to prevent overflow of the food products. Maximum capacity of the bowl is 10 litres for 222836, 222966 and 20 litres for 222843, 222973.
- Do not wash the machine with water or a waterjet. Washing with water can cause leakage and increase the risk of electric shock. No parts are dishwasher safe.

- Do not clean or store the machine unless it is completely cooled down.
- Special care should be taken when moving or transporting the machine as it is too heavy. With at least 2 people or using a trolley for assistance. Move the machine slowly, carefully and never be inclined over 45°C.

### Intended use

- The appliance is intended for professional use and can be operated only by qualified personnel.
- The appliance is designed for mixing, kneading and emulsifying/whipping food products operated in the food industry and shops. Any other use may lead to damage to the appliance or personal injury.
- Operating the appliance for any other purpose shall be deemed as a misuse of the device. The user shall be solely liable for improper use of the device.

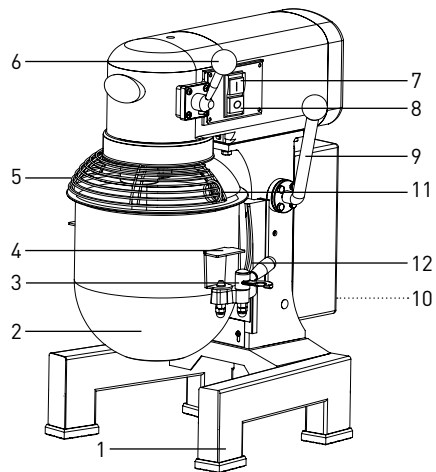
### Grounding installation

This appliance is classified as protection class I appliance and must be connected to a protective ground. Grounding reduces the risk of electric shock by providing an escape wire for the electric

current. This appliance is equipped with a cord having a grounding wire with a grounding plug. The plug must be plugged into an outlet that is properly installed and grounded.

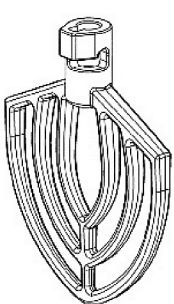
### Main parts of the machine

1. Rigid stand support
2. Bowl
3. Bowl clamp (x2)
4. Bowl handles (x2)
5. Bowl guard
6. Speed control lever  
(3 settings for 3 attachments)
7. ON button (GREEN, I)
8. STOP button (RED, 0)
9. Bowl lift / lower handle
10. RESET button (at the rear)
11. Bowl guard handle
12. Bowl cradle

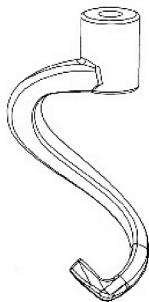


EN

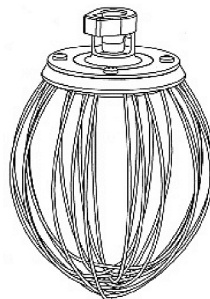
### Attachments



Flat beater



Dough hook



Whisk

---

## Preparations before installation

- Carefully unbolt the machine from the skid using wrench if necessary.
- Remove all protective packaging and wrapping.
- Check the machine for completeness and transport damages. In case of incomplete delivery (e.g. Whisk, flat beater and dough hook) or damage, contact supplier immediately. **DO NOT** use the machine. (See ==> Warranty).
- Clean the machine and attachments before use (See ==> Cleaning and Maintenance).
- Make sure the appliance is completely dry.
- Keep the packaging for storing your appliance when not in use for an extended period of time.

---

## Installation

- Read this manual thoroughly and carefully before installation and operation.
- Ensure the machine is placed in a dry area that have sufficient strength surface to support with no any obstruction during operation nearby.
- Ensure that the electrical power supply corresponds with the rating label on the machine.
- There should have adequate space around the machine for the operator to operate. It should be clean and free from obstructions, e.g. Nothing placed on or around the machine, such as scrapers, knives etc.
- Do not wear loose fitting clothing such as scarf, etc and long hair should be tied up and keep away from the moving parts.

**CAUTION!** Never bypass any safety switch.

---

## Transportation and handling

- Do not move the machine while it is under operation.
- Unplug the machine, remove the bowl [2] and all attachments (whisk, flat beater or dough hook) when moving the machine.
- Hold the base of the machine [1] when moving to have better support.
- With at least 2 people or using trolley for assistance to move the machine due to heavy weight.

---

## Special safety features

**Attention: This machine has the following 3 safety switches. The machine only be started with all the safety switches are at the proper positions.**

- Bowl position safety switch: The machine can be started up once the bowl is positioned at the correct position.
- Bowl guard [5] safety switch: The machine can only be started up once the bowl guard [5] is in the closed position.
- Bowl lift up handle [9] safety switch: The machine can only be started up once the bowl lift up handle [9] is located in the upwards position.

Do not wear loose fitting clothing such as scarf, etc and long hair should be tied up and keep away from the moving parts

---

## Operation

**To avoid serious personal injury:**

- **DO NOT** operate the machine without reading the instruction manual.
- **ALWAYS STOP** the machine by pressing RED "0" button [8] and unplug from electrical power supply before cleaning, maintenance, repair or changing any attachments.
- **ALWAYS** keep hands, hair and loose clothing away from the moving parts.

### a) About the bowl guard

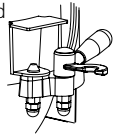
**Note: When bowl guard (5) is open or not properly closed in lock position, the machine will not operate.**

1. To open the bowl guard (5), hold the bowl guard handle (11) and rotate it clockwise. To close the bowl guard (5), hold the bowl guard handle (11) and rotate it anti-clockwise.
2. When the bowl guard handle (11) is lined up at the right side of the machine, the bowl guard (5) is in the is in the rocked position and ready for operation.

### b) Install the bowl (2) to the machine

Note: Install the bowl (2) BEFORE fixing the attachments. Use the supplied bowl (2) only.

1. Lower the bowl by pulling the bowl lift-up lever (9) downwards until it stops. So that the bowl cradle (12) is in a lower position.
2. Place the bowl (2) carefully and slowly using the bowl handles (4) at 2 sides and
  - i) With the locking pin into the hole at the middle of the bowl cradle (12) and
  - ii) Secure the bowl (2) by pull each bowl clamp (3) forward until the bowl (2) is locked tight.



### c) Install different attachments (Flat beater, Dough hook or Whisk) to the machine

Note: It is more convenient and easier to install the attachments prior to adding the ingredients into the bowl (2).

1. Rotate the bowl guard (5) clockwise gently with the bowl guard handle (6), so that it is in the open position.
2. **CAUTION!** Use excessive force to open or close the bowl guard (5) may damage the safety lock micro switch. Be careful when open or close the bowl guard (5).
3. Slide the attachments (Flat beater, Dough hook or Whisk) slowly upwards onto the planetary shaft fitting the shaft pin through the slot in the attachments.
4. Rotate the attachments to secure it onto the planetary shaft.

### d) Pouring and mixing ingredients

Note: Follow the "Mixing ingredients capacity" table in this manual. Overloading will lead to overflow or damage to the machine.

**IMPORTANT:** Make sure the speed control lever (6) is set at the "dough hook" position.

1. Add all the appropriate ingredients into the bowl (2).
2. Lift upwards the bowl lift lever (9) until the bowl (2) locks into the position.
3. Rotate the bowl guard (5) anti-clockwise and locks into the position.

**Attention:** The machine will not start if the bowl guard (5) is open / not closed properly or the bowl (2) is at the lower position.

### e) Set the speed, attachment & start up the machine

1. Select the appropriate speed by lifting or lowering the speed control lever (6). Three fixed speeds are available for different attachments:

Rotation speed	Type of ingredient
Dough hook (Low)	Heavy: Mixing pizza, bread, pasta and
Flat beater (Medium)	Medium: 2nd stage of mixing for donut dough, etc.
Whisk (High)	Light: Whipping cream, egg whites, meringue.

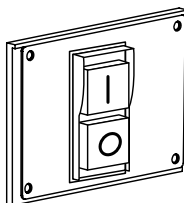
**IMPORTANT: ALWAYS** follow the recommended attachment used and speed setting according to the capacity table and indication next to the speed control lever (6).

**ATTENTION:** Be careful about the risk of dust and flour escape when slitting of bags of ingredient into bowl (2). Wear protective mask or glasses if necessary.



2. After that, press the **GREEN** "I" button (7) to switch **ON** the machine. Press **RED** "O" button (8) to STOP the machine.

The machine will rotate in clockwise direction for item 222843 whereas and anti-clockwise direction for 222836.



3. **CAUTION! ALWAYS STOP** the machine BEFORE changing speeds. Failure to do so may damage the internal gear construction.
4. To change the speed during the operation:
- Press the **RED** "O" button (8) to **STOP** the machine.
  - Unplug the machine and change the attachment. [See ==> part c)].
  - Change the speed by raising or lowering the speed control lever (6) with the correct attachment.
  - Press the **GREEN** "I" button (7) to restart the machine.

### RESET the Hi-limiter (thermal cut-out)

Please note that the RESET button (10) is located at the rear of the machine in order to prevent overheated.

- Unplug the machine from the electrical power outlet first.
- Let the machine to cool down completely.

- Press the RESET button (10) of the Hi-limiter (thermal cut-out)
- Then, plug into the electrical power outlet and start up the machine again.

EN

### Mixing ingredients capacity

Below table is just a reference about the maximum quantity for making the different food. There are

many factors affecting such as the type of the flour, temperature of water, etc.

Product	Attachment	Max. quantity			
		222836	222966	222843	222973
Egg white	Whisk	1,0 kg		1,5 kg	
Mashed potato	Flat beater	2,0 kg		2,5 kg	
Meringue (Qty of water)	Whisk	1,5 litre		2,0 litre	
Waffle or pancake batter	Flat beater	2,5 litres		3,0 litre	
Whipped cream	Whisk	3,5 litres		4,0 litre	
Pizza dough (Medium, 50% water)	Dough hook	2,0 kg		2,5 kg	
Pizza dough (Thick, 60% water)	Dough hook	2,5 kg		3,0 kg	
Sponge cake	Whisk	1,5 kg		2,0 kg	
Pie Dough	Flat beater	2,0 kg		2,5 kg	
Bread or Roll Dough (Light/ Medium, 60% water)	Dough hook	Water 1,5 kg/ Flour 2,5 kg		Water 3,0 kg/ Flour 5,0kg	





## Cleaning and Maintenance

**Attention: Always unplug the appliance from the electrical power outlet and let it cool down completely before cleaning, maintenance, repair & storage.**

### Cleaning

- Always remove all the attachments before easy cleaning, otherwise it will become stuck on the shaft and difficult to remove later.
- Clean the machine and its attachments thoroughly after each use and ensure all food residues are removed.
- Never immerse the appliance in water or other liquids.
- Clean the surface with a slightly damp cloth or sponge with some mild soap solution.
- Never use abrasive sponges, detergents, steel wool or metallic utensils to clean the interior or exterior parts of the appliance.
- DO NOT wash the appliance with water or water-jet. Washing with water can cause leakage and increase the risk of electric shock.
- No any parts or attachments are dishwasher safe.

Recommended cleaning procedure:

Parts	How to clean	Frequency
Bowl	Using a sponge or damp cloth with mild soap and water, rinse, sanitize and dry thoroughly.	Clean after each use
Attachments (Dough hook, beater and whisk)	Hand wash using mild soap and water, rinse, sanitize and dry thoroughly.	Clean after each use
Bowl guard	Hand wash using a sponge or damp cloth with mild soap and water, rinse, sanitize and dry thoroughly.	Clean after each use
Outer surface	Wipe with a clean damp cloth using soap and water, rinse, sanitize and dry. Do not use water jet.	Twice a week
Planetary Shaft	Wipe with a clean damp cloth using soap and water, rinse, sanitize and dry.	Clean after each use

EN

### Storage

- Before storage, always make sure the appliance has already been disconnected from the electrical outlet and cooled down completely.
- Store the appliance in a cool, clean and dry place.



## Troubleshooting

If the machine does not function properly, please check the below table for the solution. If you are still unable to solve the problem, please contact the supplier/service provider. **DO NOT repair yourself.**

Problems	Possible causes	Possible solution
Machine do not start running	Bowl guard (5) is not in properly closed position.	Rotate the bowl guard (5) to the right until fully closed properly.
	Bowl (2) is not raised to the proper location.	Raise the bowl (2) to the correct position by using the level (9).
	The power plug is not connected properly.	Check to make sure the power plug is connected properly.
Machine stops during operation	Internal overload activates to prevent overheat.	Press RED, "O" button (8), unplug the machine, leave for cook down completely, press RESET button (10) at the back.
	Damage or broken transmission belt	Check with the supplier
Machine sound too noisy	Machine is not placed on a horizontal surface.	Adjust the surface or move to another horizontal surface.
	Bowl (2) is not placed correctly.	Make sure the bowl (2) is placed into the bowl cradle (12) correctly with the guided pins (3).
	Attachments not fitted properly.	Remove and install the attachments into position again.
	Bowl is overloaded.	Reduce ingredients capacity.
	Damaged or worn transmission belt.	Check with the supplier.
	Planetary gear needs lack of lubricant.	
Attachments cannot install onto the planetary shaft easily	Lack of lubricant and / or cleaning of the planetary shaft required.	Wipe planetary shaft with a clean damp cloth and lubricate the shaft with mineral oil or grease.
Bowl lift / lower handle (9) not operation easily	Lack of lubricant on the bowl slides.	Lubricate bowl slides with mineral oil or grease.

**Technical specification**

Item no.	222836	222966	222843	222973
Operating voltage and frequency	220 – 240 V~ 50/60Hz			
Rated input power	600W		1100W	
Net weight (approx.)	53kg		78kg	
Protection class	Class I			
Waterproof protection class	IP21			
Rotation speed (r.p.m.)	Dough hook	148	197	
	Flat beater	244	317	
	Whisk	480	462	
Maximum bowl capacity	10L		20L	
Maximum amount flour mixing	2,5 kg		5,0 kg	
Max noise level	< 70 dB (A)			
Outer dimension	480 x 400 x (H) 630mm		560 x 500 x (H) 880mm	

**Remark: Technical specification is subjected to change without prior notification.**



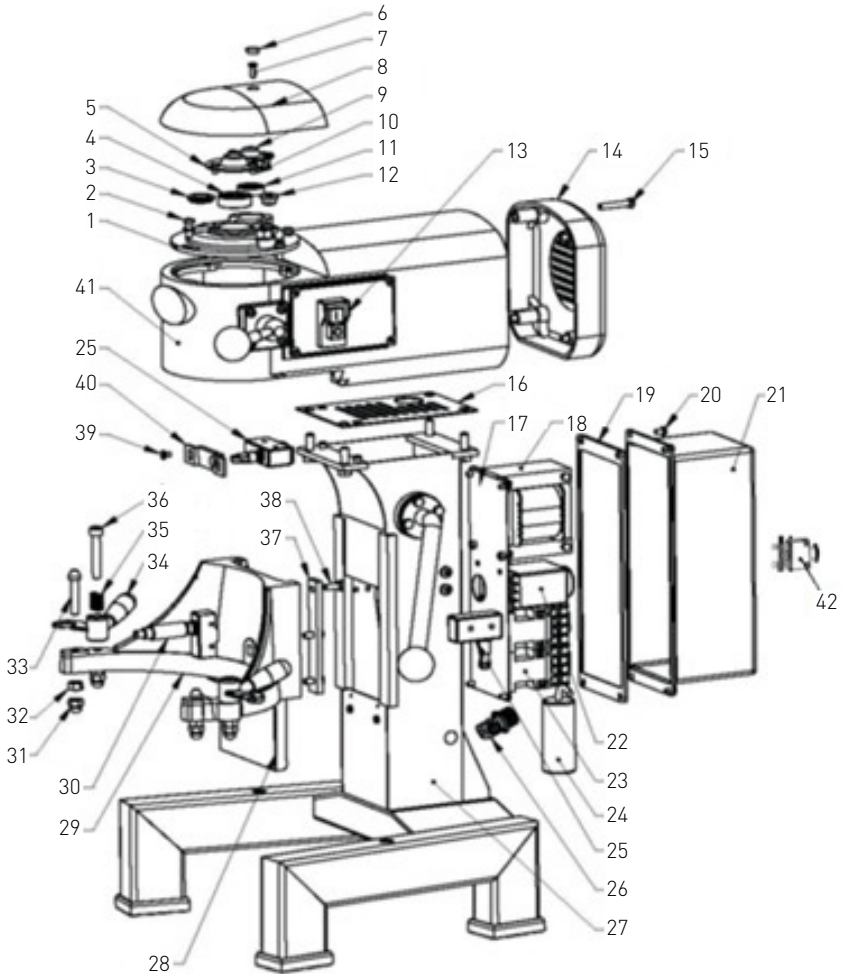
## Exploded drawing and part list

**Attention:** The exploded drawing and part list consists of below parts:

- Transmission gear system at the top, bowl cradle and stand (Figure 1);
- Axle assembly (Figure 2);
- Gear axle assembly (Figure 3);
- Motor assembly (Figure 4);
- Bowl lift up assembly (Figure 5);
- Bowl guard turning plate and mixing axle (Figure 6);
- Speed control assembly (Figure 7)

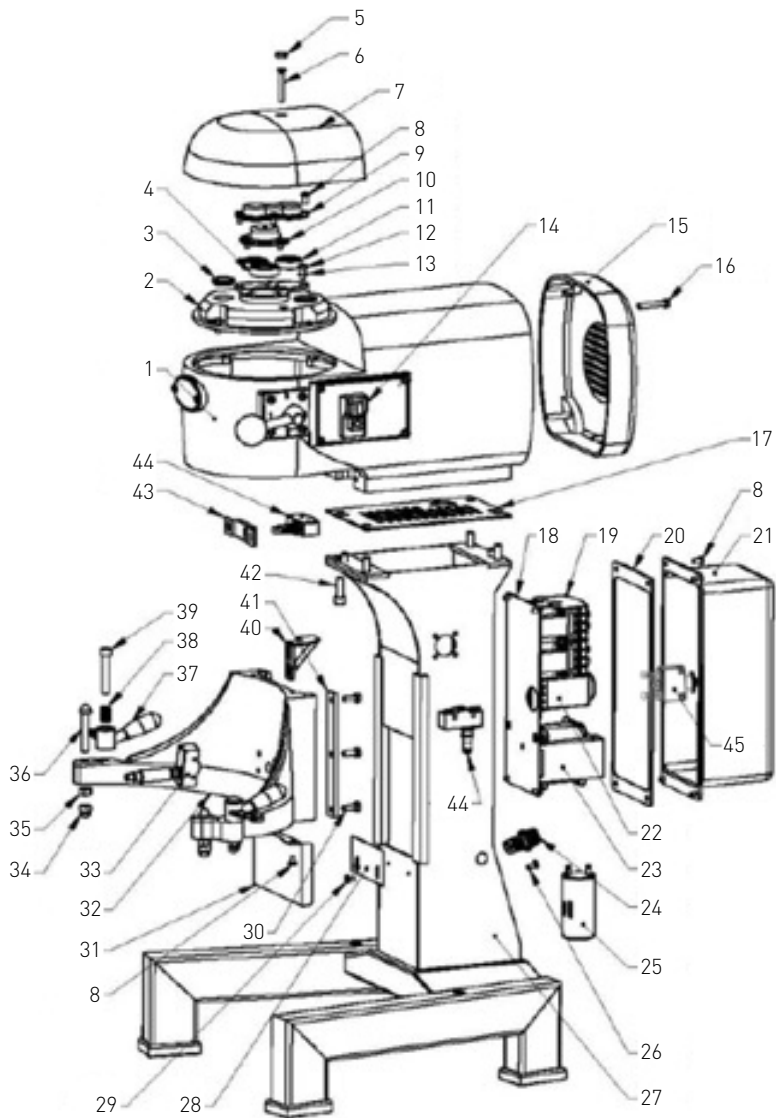
**Figure 1: Transmission gear at the top, bowl cradle and stand**

222836/222966:



Part no.	Part name	Quantity	Part no.	Part name	Quantity
1	Bearing cover	1	22	Timer relay	1
2	Screw (M6X16)	4	23	Relay	2
3	Cover	1	24	Capacitor	1
4	Bearing 6202	1	25	Microswitch	3
5	Center cover	1	26	Cable joint	1
6	Cover	2	27	Upright column	1
7	Screw (M5X16)	1	28	Upright column board	1
8	Top cover	1	29	Arm complete	1
9	Cover	1	30	Sleeve (for microswitch)	1
10	Screw (M5X8)	5	31	Cap nut (M8)	2
11	Bearing 6001	1	32	Nut (M8)	4
12	Cover	1	33	Bowl's screw	2
13	Power switch	1	34	Fixed handle	2
14	Rear cover	1	35	Fixed handle spring	2
15	Screw (M6X35)	4	36	Screw (M8X60)	2
16	Anti mouse plate	1	37	Flat clamp	2
17	Electrical board	1	38	Screw (M6X16)	6
18	Transformer	1	39	Screw (M4X8)	2
19	Electric box sealing strips	1	40	Microswitch rack	2
20	Screw (M5X8)	4	41	Body	1
21	Electric box	1	42	Overloaded switch	1





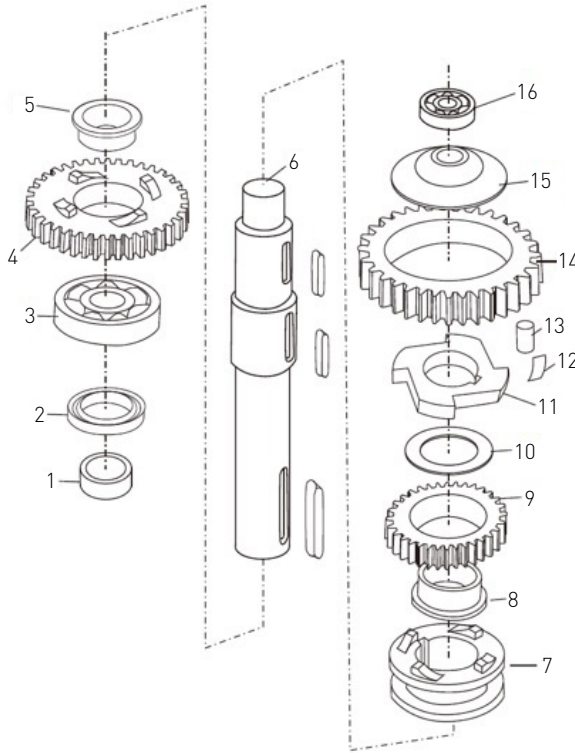
EN

Part no.	Part name	Quantity	Part no.	Part name	Quantity
1	Body	1	24	Cable joint	1
2	Bearing cover	1	25	Capacitor	1
3	Cover	2	26	Copper screw (M5X12)	1
4	Bearing (6003)	1	27	Upright column	1
5	Cover	3	28	Upright column board	1
6	Screw (M6X45)	1	29	Screw (M4X8)	2
7	Top cover	1	30	Screw (M6X16)	6
8	Screw (M5X8)	7	31	Upright column board	1
9	Cover	1	32	Arm	1
10	Center cover	1	33	Sleeve (for microswitch)	1
11	Bearing (6201)	2	34	Cap nut (M8)	2
12	Screw (M6X14)	4	35	Nut (M8)	2
13	Spring washer 6	4	36	Bowl's screw	2
14	Power switch	1	37	Fixed handle	2
15	Rear cover	1	38	Fixed handle spring	2
16	Screw (M6X35)	4	39	Screw (M8X60)	2
17	Anti mouse plate	1	40	Plastic block	1
18	Electrical board	1	41	Flat clamp	2
19	Relay	2	42	Screw (M8X25)	4
20	Electric box sealing strips	1	43	Microswitch rack	1
21	Electric box	1	44	Microswitch	2
22	Timer relay	1	45	Overload switch	1
23	Transformer	1			



**Figure 2: Axle assembly**

222836/222966:



EN

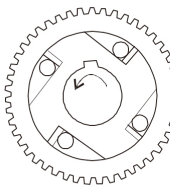


Figure 2-1

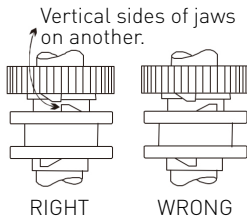


Figure 2-2

Remark:

1. Be sure to install correct position and lubricate all the pins in figure 2-1.
2. Check if oil seal occur after reassembly.

Part no.	Part name	Quantity
1	Cover	1
2	Oil seal	1
3	Bearing (6204)	1
4	Coupler gear	1
5	bearing	1
6	Central axle	1
7	Coupler	1
8	Bearing	1
9	Small gear ring	1
10	Divider ring	1
11	Actuator	1
12	Spring	1
13	Roller	1
14	Large gear ring	1
15	Cover	1
16	Bearing (6001)	1





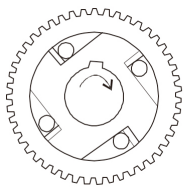
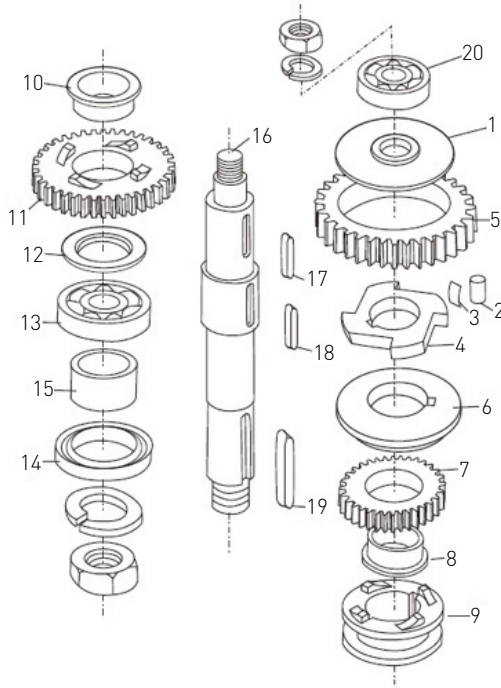


Figure 2-1

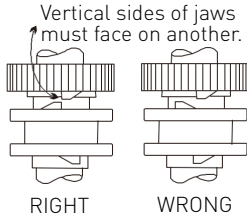


Figure 2-2

Remark:

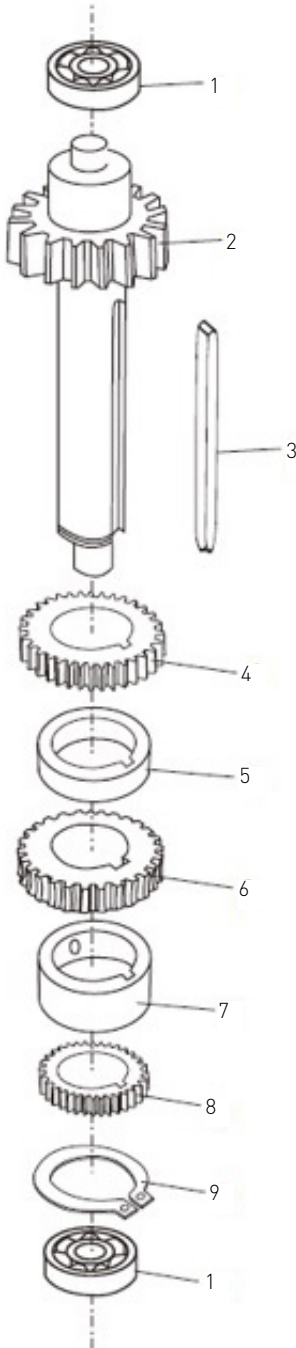
1. Be sure to install correct position and lubricate all the pins in figure 2-1.
2. Check if oil seal occur after reassembly.

Part no.	Part name	Quantity
1	Cover	1
2	Roller	1
3	Spring	1
4	Actuator	1
5	Gear ring	1
6	Divider ring	1
7	Upper gear	1
8	Bearing ring	1
9	Clutch ring	1
10	Bearing ring	1
11	Lower gear	1
12	Ring	1
13	Bearing (6205)	1
14	Oil seal (30X45X10)	1
15	Stand-off	1
16	Central axle	1
17	Key (6X14)	1
18	Key (5X35)	1
19	Key (6X30)	1
20	Bearing (6003)	1



**Figure 3: Gear axle assembly**

222836/222966:

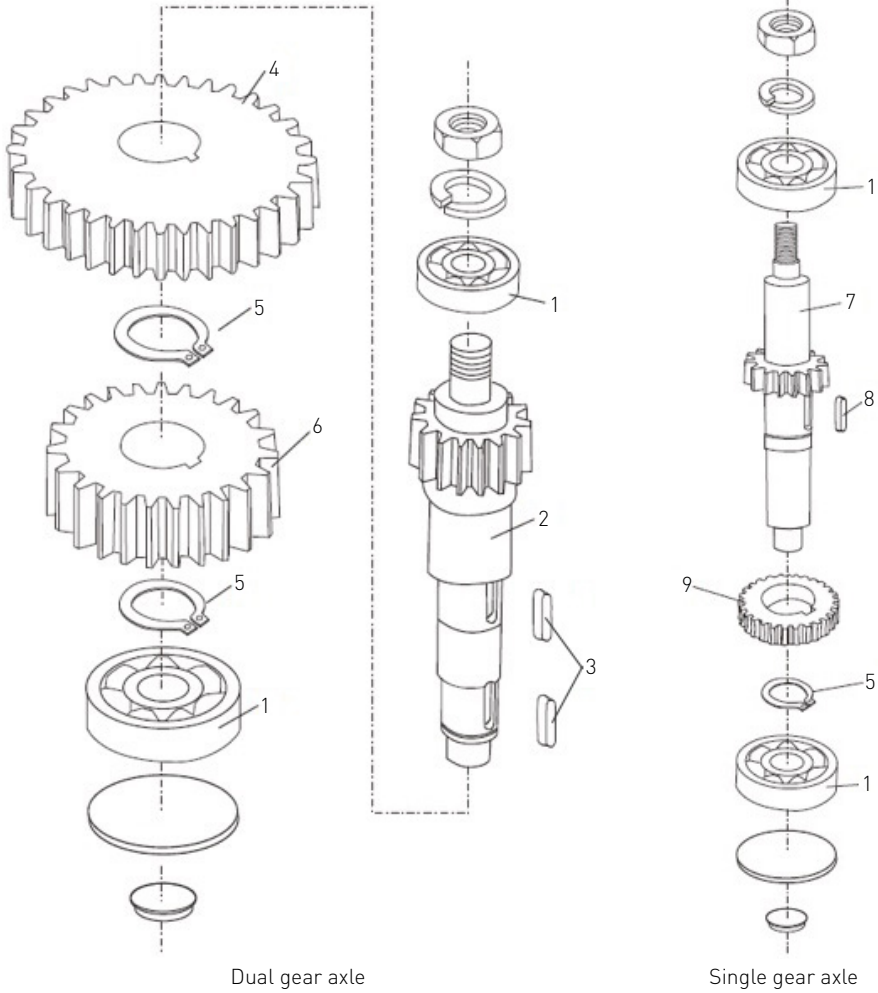


Part no.	Part name	Quantity
1	Bearing (6001)	2
2	High speed gear axle	1
3	Key (5X58)	1
4	Top gear	1
5	Small stand-off	1
6	Gear (lower)	1
7	Large stand-off	1
8	Bottom gear	1
9	Circlip	1

Remark: Make sure the keys are all inserted to each gear.

EN

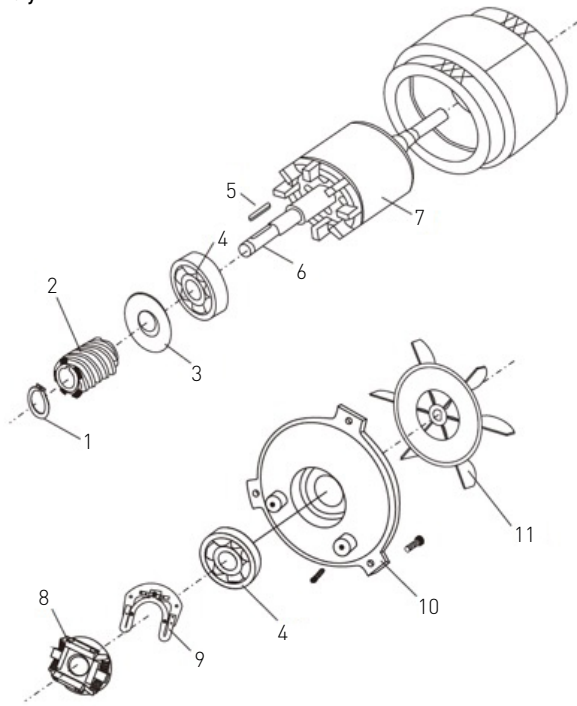




Part no.	Part name	Quantity	Part no.	Part name	Quantity
1	Bearing (6201)	4	6	Lower gear	1
2	Dual geared axle	1	7	Single geared axle	1
3	Key (5X11)	2	8	Key (5X14)	1
4	Upper gear	1	9	Gear	1
5	Circlip	3			

Remark: Make sure the keys are all inserted to each gear.

Figure 4: Motor assembly



EN

Part no.	Part name	Quantity	Part no.	Part name	Quantity
1	Stop ring (222843 only)	1	7	Rotor	1
2	Spiral	2	8	Switch	1
3	Oil seal	1	9	Plastic switch plate	1
4	Bearing	1	10	Bearing cover	1
5	Key (4x22)	1	11	Fan	1
6	Axle	1			

Figure 4-1

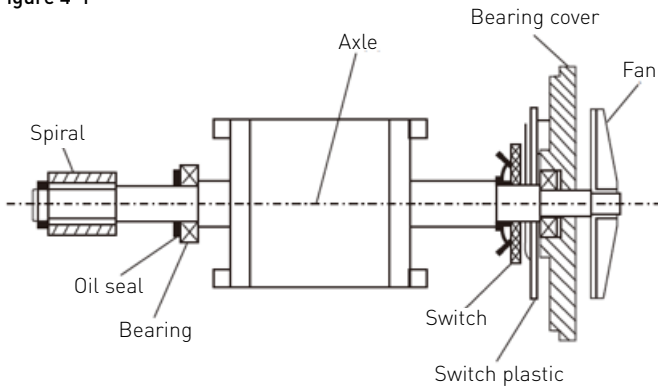
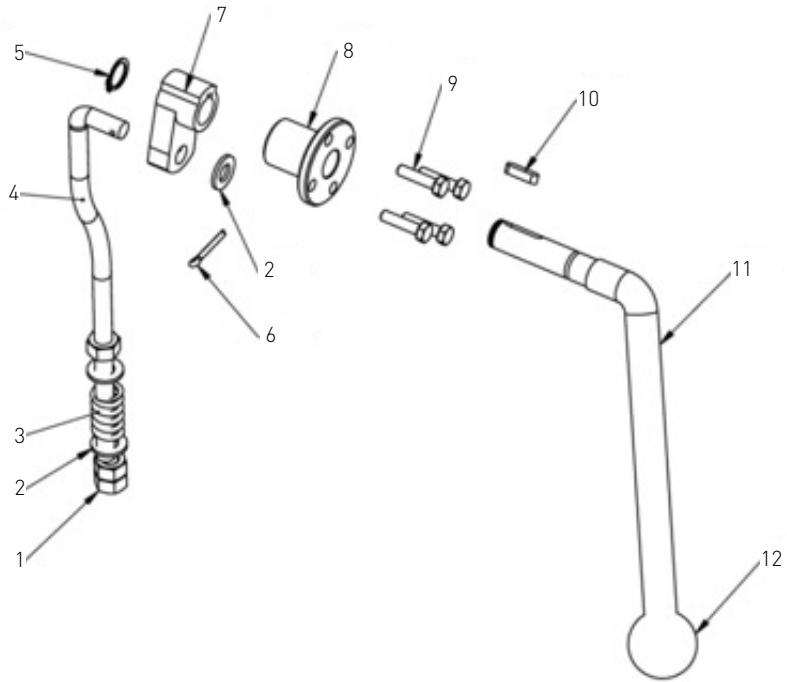


Figure 5: Bowl lift up assembly



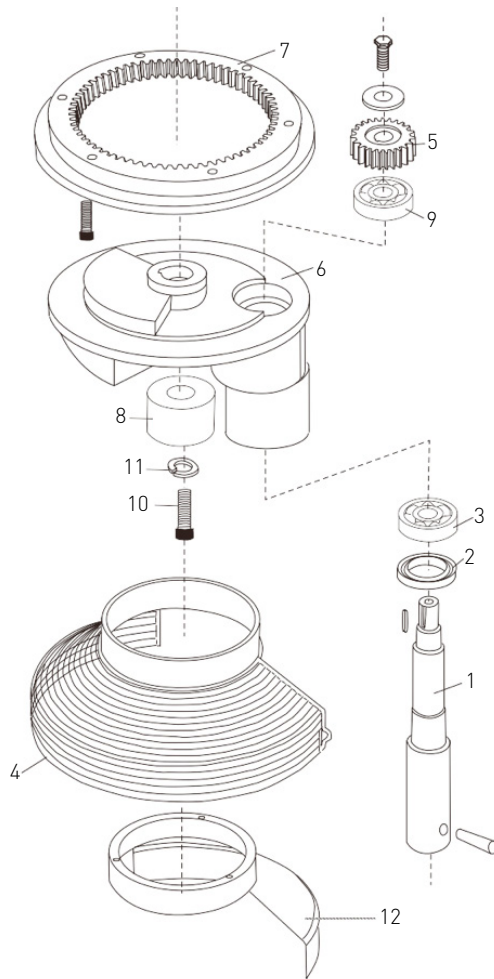
EN

Part no.	Part name	Quantity	Part no.	Part name	Quantity
1	Nut (M10)	3	7	Crank wheel	1
2	Flat washer	2	8	Flange knot	1
3	Arm's spring	1	9	Screw (M6X25)	4
4	Lifting bar	1	10	Key (5x20)	1
5	Stop ring	1	11	Bowl lift handle	1
6	Cotter pin	1	12	Plastic ball	1



**Figure 6: Turning plate and mixing axle**

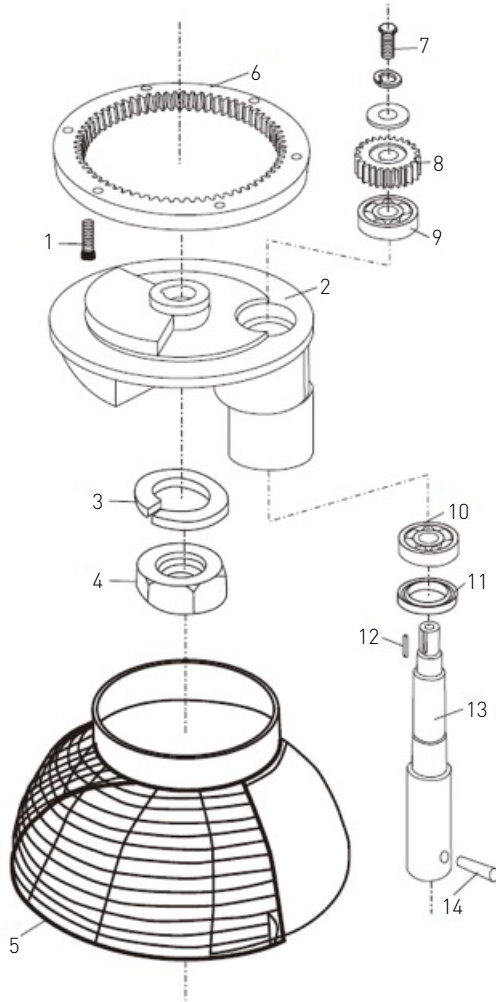
222836/222966:



EN

Part no.	Part name	Quantity	Part no.	Part name	Quantity
1	Mixing axle	1	7	Inner gear	1
2	Oil seal (20X40X10)	1	8	Cover	1
3	Bearing	1	9	Bearing	1
4	Bowl guard	1	10	Screw (M8X20)	1
5	Planetary gear	1	11	Spring washer	1
6	Turning plate	1	12	Back cover of bowl guard	1

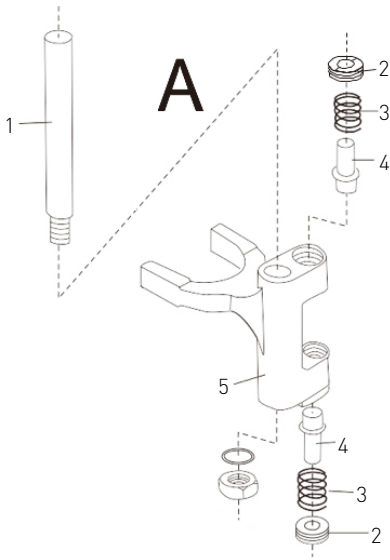




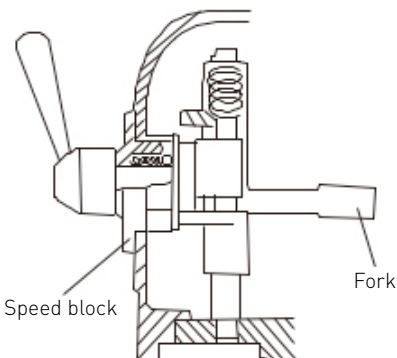
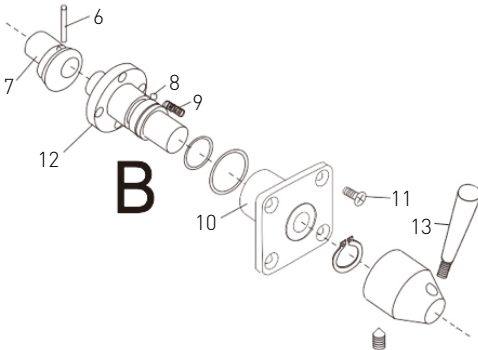
Part no.	Part name	Quantity	Part no.	Part name	Quantity
1	Screw (M6X25)	1	8	Planetary gear	1
2	Turning plate	1	9	Bearing (6203)	1
3	Spring washer	1	10	Bearing (6204)	1
4	Nut (M18)	1	11	Oil seal (25X50X10)	1
5	Bowl guard	1	12	Key (5X18)	1
6	Inner gear	1	13	Mixing axle	1
7	Screw (M8X15)	1	14	Pin	1



Figure 7: Speed control assembly



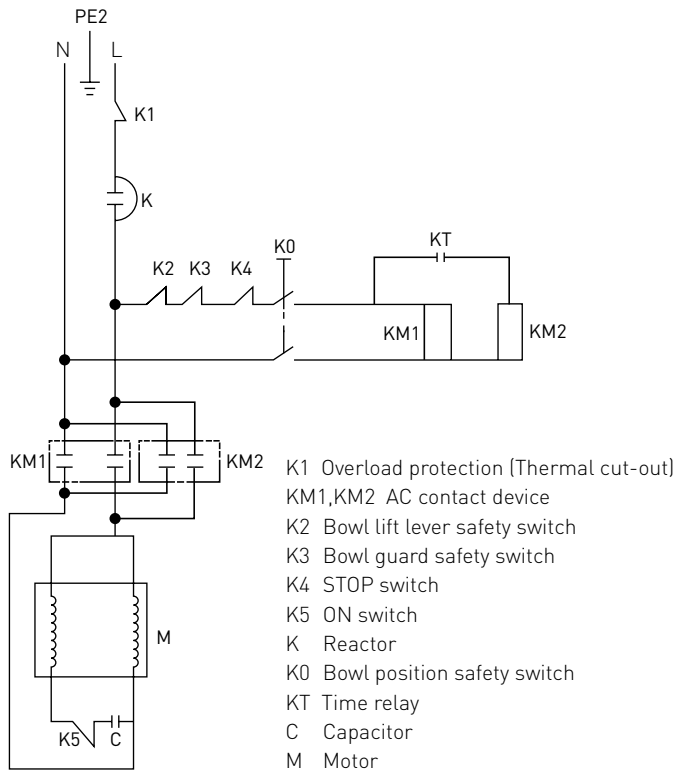
Part no.	Part name	Quantity	
A	1	Rod	1
	2	Nut	1
	3	Spring	1
	4	Shaft	1
	5	Fork	1
B	6	Pin (3X20)	1
	7	Knot	1
	8	Steel ball bearing	3
	9	Spring	3
	10	Block cover	1
	11	Screw (M5X10)	1
	12	Shaft	1
	13	Lever	1



EN



## Circuit diagram



## Warranty

Any defect affecting the functionality of the appliance which becomes apparent within one year after purchase will be repaired by free repair or replacement provided the appliance has been used and maintained in accordance with the instructions and has not been abused or misused in any way. Your statutory rights are not affected. If the appliance is claimed under warranty, state where and

when it was purchased and include proof of purchase (e.g. receipt).

In line with our policy of continuous product development we reserve the right to change the product, packaging and documentation specifications without notice.

## Discarding & Environment

When decommissioning the appliance, the product must not be disposed of with other household waste. Instead, it is your responsibility to dispose to your waste equipment by handing it over to a designated collection point. Failure to follow this rule may be penalized in accordance with applicable regulations on waste disposal. The separate collection and recycling of your waste equipment at the time of disposal will help conserve natural re-

sources and ensure that it is recycled in a manner that protects human health and the environment. For more information about where you can drop off your waste for recycling, please contact your local waste collection company. The manufacturers and importers do not take responsibility for recycling, treatment and ecological disposal, either directly or through a public system.



Sehr geehrte Kundin, sehr geehrter Kunde,

wir danken Ihnen für den Kauf des Gerätes Hendi. Machen Sie sich bitte mit dieser Anleitung noch vor der Inbetriebnahme des Gerätes vertraut, um Schäden durch die unsachgemäße Bedienung zu vermeiden. Den Sicherheitsregeln ist besondere Aufmerksamkeit zu widmen.

## Sicherheitsregeln


- Die unsachgemäße Bedienung des Geräts kann zur schweren Beschädigung des Geräts sowie zu Verletzungen führen.
- Dieses Gerät ist nicht für den Hausgebrauch bestimmt.
- Das Gerät ist ausschließlich zu dem Zweck zu benutzen, zu dem es hergestellt wurde. Der Hersteller haftet nicht für Schäden, die auf unsachgemäße Bedienung des Geräts zurückzuführen sind.
- Den Kontakt des Gerätes und des Steckers mit Wasser oder einer anderen Flüssigkeit vermeiden. Den Stecker unverzüglich aus dem Stecker ziehen und das Gerät von einem anerkannten Fachmann prüfen lassen, wenn das Gerät unbeabsichtigterweise ins Wasser fällt. Bei Nichteinhaltung dieser Sicherheitsvorschriften besteht Lebensgefahr.
- Nie eigenständig das Gehäuse des Gerätes zu öffnen versuchen.
- In das Gehäuse des Gerätes keine Gegenstände einführen.
- Den Stecker nicht mit nassen oder feuchten Händen berühren.
-  **Gefahr eines Stromschlags!** Das Gerät darf nicht selbstständig repariert werden. Sämtliche Mängel und Unzulänglichkeiten sind ausschließlich durch qualifiziertes Personal zu beseitigen.
- **Niemals ein beschädigtes Gerät benutzen!** Das beschädigte Gerät vom Netz trennen und sich mit dem Verkäufer in Verbindung setzen.
- **Warnung:** Die Elektroteile des Gerätes dürfen weder in Wasser noch in andere Flüssigkeiten getaucht werden. Ebenso ist das Gerät nicht unter fließendes Wasser zu halten.
- Der Stecker und die Stromversorgungsleitung sind regelmäßig auf Beschädigungen zu prüfen. Der beschädigte Stecker oder Leitung sind an eine Servicestelle oder einer anderen qualifizierten Person zur Reparatur zu übergeben, um eventuellen Gefahren und Verletzungen des Körpers vorzubeugen.
- Man muss sich davon überzeugen, ob die Stromversorgungsleitung weder mit scharfkantigen noch mit heißen Gegenständen in Berührung kommt; halten Sie die Leitung weit entfernt von einer offenen Flamme. Um den Stecker aus der Netzsteckdose zu nehmen, muss man immer am Stecker und nicht an der Leitung ziehen.
- Die Stromversorgungsleitung (oder Verlängerungsleitung) ist vor dem zufälligen Herausziehen aus der Steckdose zu schützen. Die Stromversorgungsleitung muss so geführt werden, dass niemand zufällig darüber stolpern kann.
- Das Gerät muss während seiner Anwendung ständig kontrolliert werden.
- **Warnung!** Wenn der Stecker in der Netzsteckdose ist, muss man das Gerät als an die Stromversorgung angeschlossen betrachten.
- Bevor der Stecker aus der Netzsteckdose genommen wird, ist das Gerät auszuschalten.

DE



- Das Gerät darf beim Tragen nicht an der Leitung gehalten werden.
- Benutzen Sie kein Zubehör, das nicht mit diesem Gerät mitgeliefert wurde.
- Das Gerät muss man ausschließlich an die Steckdose mit solch einer Spannung und Frequenz anschließen, wie auf dem Typenschild angegeben wird.
- Stecken Sie den Stecker in die Steckdose, die an einem leicht und bequem zugänglichen Ort angeordnet ist, und zwar so, dass das Gerät bei einer Störung sofort abgeschaltet werden kann. Um das Gerät vollständig auszuschalten, muss man es von der Stromquelle trennen. Zu diesem Zweck muss man den Stecker, der sich am Ende der vom Gerät getrennten Leitung befindet, aus der Netzsteckdose ziehen.
- Vor dem Abtrennen des Steckers ist das Gerät auszuschalten!
- Benutzen Sie kein Zubehör, das nicht vom Hersteller empfohlen wird. Die Anwendung vom nicht empfohlenen Zubehör stellt eine Gefahr für den Nutzer dar und kann zur Beschädigung des Gerätes führen. Benutzen Sie ausschließlich Ersatzteile und Zubehör im Original.
- Dieses Gerät eignet sich nicht für den Gebrauch durch Personen (gilt auch für Kinder) mit geringerer Motorik, Sensorik oder geistiger Fähigkeit oder mangelhafter Erfahrung und Wissen.
- Auf keinen Fall darf das Bedienen des Gerätes durch Kinder zugelassen werden.
- Das Gerät mit Stromversorgungsleitung ist außerhalb der Reichweite von Kindern zu lagern.
- Ebenso muss dafür gesorgt werden, dass die Kinder das Gerät nicht zum Spielen benutzen.
- Das Gerät ist immer dann von der Stromversorgung zu trennen, wenn es ohne Aufsicht bleiben soll bzw. auch vor der Montage, Demontage und Reinigung.
- Während der Nutzung darf das Gerät nicht ohne Aufsicht gelassen werden.

## Besondere Sicherheitsvorschriften

- Der Planetenmixer sollte nur von qualifiziertem Küchenpersonal in den Verkaufsstellen der Lebensmittelindustrie, z.B. Cateringleistungen, Bäckereien, Pizzerien, Konditoreien usw. montiert und bedient werden.
- Sämtliche Wartungs- und Montagetätigkeiten sowie die Reparatur des Gerätes sollte von qualifizierten, dazu bevollmächtigten Technikern durchgeführt werden.
-  Hinten am Gerät befindet sich eine äquipotentielle Steckdose, die einen Kreuzanschluss an ein anderes Gerät ermöglicht.
- Stellen Sie den Planetenmixer nicht auf ein Objekt, das Wärme emittiert (Gas- oder Elektroherd, Grill, usw.). Außerdem muss man das Gerät von irgendwelchen heißen Flächen bzw. offener Flamme fernhalten. Das Gerät ist auf eine ebene, stabile, saubere und trockene Fläche zu stellen, die auch gegen hohe Temperaturen beständig ist.
- Verwenden Sie das Gerät nicht in der Nähe von explosiven oder leicht brennbaren Materialien, Zahlkarten, Magnetplatten oder Rundfunkempfängern.
- Falls notwendig, dann muss man während der Bedienung des Gerätes Schutzkleidung, Schutzmaske oder Schutzbrille anlegen.



- Der Planetenmixer ist nicht für die Bedienung durch eine externe Schaltuhr oder getrenntes Fernsteuerungssystem geeignet.
- An den Sicherheitsblockaden darf nicht manipuliert werden.
- **WARNUNG:** Die Belüftungsöffnungen des Gerätes dürfen nicht verdeckt werden.
- **WARNUNG:** Vor dem Reinigen, der Wartung oder dem Wechseln des Zubehörs muss man **IMMER** daran denken, das Gerät auszuschalten und von der Stromversorgungsquelle zu trennen.
- Rund um das Gerät muss man einen Abstand von mindestens 30 cm gewährleisten, damit eine richtige Belüftung ermöglicht wird.
- **Hinweis!** Man muss auch die Stromversorgungsleitung entsprechend führen und sichern, damit einem zufälligen Ziehen vorgebeugt bzw. der Kontakt mit der Heizplatte vermieden wird.
- **WARNUNG! Es ist IMMER** daran zu denken; Keine lose Kleidung tragen und die beweglichen Teile des Gerätes nicht mit der Hand berühren bzw. auch die Haare zusammenzubinden.
- Während des Betriebes des Planetenmixers darf man die Hände weder unter die Abdeckung noch in die Schüssel legen.
- Legen Sie keine zu große Mengen der Zutaten in die Schüssel, damit einem Überlaufen des Inhalts vorgebeugt wird. Die Schüssel hat Platz für maximal 10 Liter (Modell 222836, 222966) oder 20 Liter (Modell 222843, 222973).
- Waschen Sie das Gerät nicht mit Wasser oder auch nicht mit einem starken Wasserstrahl. Das Waschen des Gerätes mit Wasser kann zur Folge haben, dass in die elektrischen Teile Wasser gelangt und dadurch ein elektrischer Stromschlag hervorgerufen werden kann. Die Teile des Gerätes dürfen auch nicht in einer Geschirrspülmaschine gewaschen werden.
- Am Lagerort darf man das Gerät weder reinigen noch aufbewahren, bevor es nicht völlig abgekühlt ist.
- Während des Herumtragens des Gerätes muss man in Bezug auf sein Gewicht besonders vorsichtig sein. Das Gerät muss von 2 Personen getragen oder mit einem Wagen verlagert werden. Tragen Sie das Gerät langsam und vorsichtig, wobei es nicht mehr als in einem Winkel von 45° geneigt wird.

---

### Verwendungszweck des Gerätes

- Dieses Gerät ist für den professionellen Gebrauch bestimmt und darf nur von qualifiziertem Personal bedient werden.
- Das Gerät ist für den gewerblichen Einsatz bestimmt und dient zum Mixen, Kneten und Emulgieren/Schlagen von Lebensmittelprodukten an den Stellen der Lebensmittelindustrie und in den Geschäften bestimmt. Die Verwendung des Gerätes für andere Zwecke kann zu seiner Beschädigung sowie zu Körperverletzungen führen.
- Jede andere Verwendung des Gerätes gilt als nicht bestimmungsgemäß. Der Benutzer ist allein verantwortlich für die unsachgemäße Nutzung des Gerätes.

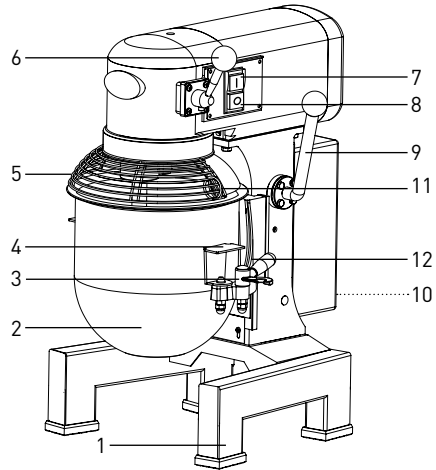
## Montage der Erdung

Der Mixer ist ein Gerät der I. Schutzklasse und erfordert eine Erdung. Die Erdung verringert das Risiko eines Stromschlags, da der elektrische Strom über den Schutzleiter abgeleitet wird. Das Gerät ist

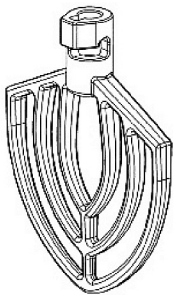
mit einem Schutzleiter mit Erdungskontakt ausgerüstet. Der Stecker muss an die Netzsteckdose angeschlossen werden, die entsprechend montiert und geerdet wurde.

## Hauptteile des Planetenmixers

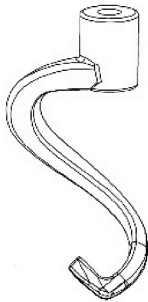
1. Stabile Stütze des Gerätes
2. Schüssel
3. Klemmen der Schüssel(x 2)
4. Halterungen der Schüssel (x 2)
5. Abdeckung der Schüssel
6. Drehknopf für die Geschwindigkeit  
(3 Einstellungen der Geschwindigkeit für 3 Zubehörs)
7. Einschalter (GRÜNE Taste, I)
8. Ausschalter (rote Taste, 0)
9. Hebel zum Anheben/Absenken der Schüssel
10. RESET-Taste (hinten am Gerät)
11. Haltegriff der Schüsselabdeckung
12. Stütze der Schüssel



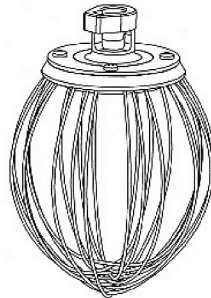
## Zubehör



Flacher Rührer



Haken zum  
Teigkneten



Schneebeesen

## Vor der Montage

- Vorsichtig die Schrauben abdrehen, die das Gerät am Stützelement befestigen; wenn nötig – mit Hilfe eines Schraubenschlüssels.
- Verpackung und die Sicherungen abnehmen und entfernen.
- Prüfen Sie das Gerät in Bezug auf Vollständigkeit und eventueller Transportschäden. Bei nicht vollständiger Anlieferung (z.B. Zubehöerteile fehlen) oder Beschädigungen des Gerätes muss man sich sofort mit dem Lieferanten in Verbin-

dung setzen und man darf in diesem Fall das Gerät NICHT benutzen. (Siehe ==> Garantie).

- Gerät und Zubehör reinigen (Siehe ==> Reinigung und Wartung).
- Es ist auch zu prüfen, ob das Gerät völlig trocken ist.
- Bewahren Sie die Verpackung zwecks der Lagerung des Geräts, wenn es über eine längere Zeit nicht verwendet wird.



---

## Montage

- Vor der Montage und Nutzung des Gerätes muss man die Anleitung sehr aufmerksam lesen und den Inhalt der Anleitung kennenlernen.
- Überzeugen Sie sich, ob das Gerät auf eine trockene Fläche mit entsprechender Festigkeit gestellt wurde, und zwar auch an eine Stelle, wo ein einfacher Zugang zum Gerät gewährleistet ist.
- Man muss sich auch überzeugen, ob die Spezifikation des Gerätes auf dem Typenschild den Parametern der Elektrosteckdose entspricht, an die das Gerät angeschlossen werden soll.
- Um dem Bediener den richtigen Funktionsbetrieb zu ermöglichen, muss ein entsprechender Freiraum rundum das Gerät eingehalten werden. Ebenso dürfen sich um das Gerät herum keine Gegenstände befinden, und zwar solche wie Schälleinrichtungen, Messer usw.
- Während der Arbeit mit dem Gerät darf man keine lose Kleidung tragen, wie z.B. Schals usw.; die Haare sind zusammenzubinden und man darf sich mit keinem Körperteil den rotierenden Elementen des Gerätes nähern.

**HINWEIS!** Niemals den Sicherheitsschalter abtrennen.

---

## Transport und Bedienung des Gerätes

- Während des Betriebes darf man das Gerät nicht herumtragen.
- Wenn man das Gerät an einen anderen Ort tragen will, dann muss man zuerst den Stecker aus der Steckdose ziehen, die Schüssel (2) herausnehmen, das Zubehör abtrennen (Schneebesens, flacher Rührer oder Haken zum Teigmischen).
- Während des Herumtragens muss man das Gerät an der Grundplatte (1) ergreifen.
- In Bezug auf sein Gewicht muss das Gerät von 2 Personen getragen oder mit einem Wagen verlagert werden.

DE

---

## Besondere Sicherungen

**Hinweis: Das Gerät ist mit 3 Sicherungselementen ausgerüstet und es kann nur dann in Betrieb genommen werden, wenn sich alle Sicherungselemente an den richtigen Stellen befinden.**

- Schutzeinrichtung der Schüssel: Das Gerät darf erst dann in Betrieb genommen werden, wenn die Schüssel am Stützelement richtig angebracht wurde.
- Schutzeinrichtung für die Schüsselabdeckung (5): Das Gerät darf erst dann in Betrieb genommen werden, wenn die Abdeckung der Schüssel (5) richtig befestigt und blockiert wurde.
- Sicherung der Hebelstange zum Anheben/Ab-senken der Schüssel (9). Das Gerät kann erst dann in Betrieb genommen werden, wenn sich der Hebel (9) in der oberen Position befindet.

Während der Arbeit mit dem Gerät darf man keine lose Kleidung tragen, wie z.B. Schals usw.; die Haare sind zusammenzubinden und man darf sich mit keinem Körperteil den rotierenden Elementen des Gerätes nähern.

---

## Bedienung

**Um ernsthafte Körperverletzungen zu vermeiden, muss man folgendes beachten:**

- Bedienen Sie **NIEMALS** das Gerät, bevor Sie die vorliegende Anleitung kennengelernt haben.
- Denken Sie **IMMER** an das Ausschalten (durch Drücken der ROTEN Taste „0“ (8)) und das Abtrennen der Stromversorgungsquelle vor dem Reinigen, der Wartung, Reparatur oder dem Wechsel des Zubehörs.
- Denken Sie auch **IMMER** daran, dass keine lose Kleidung getragen wird, rotierende Teile des Gerätes nicht berührt und die Haare zusammengebunden werden.



### a) Abdeckung der Schüssel

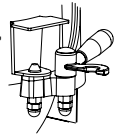
**Hinweis:** Wenn die Schüsselabdeckung (6) offen ist, dann wurde sie nicht richtig befestigt und geschlossen; das Gerät kann nicht in Betrieb genommen werden.

1. Um die Schüsselabdeckung (6) zu öffnen, muss man den Griff der Abdeckung (5) ergreifen und im Uhrzeigersinn drehen. Um die Schüsselabdeckung (6) zu schließen, muss man den Griff der Abdeckung (5) ergreifen und entgegengesetzt zum Uhrzeigersinn drehen.
2. Wenn der Griff der Schüsselabdeckung (5) parallel zur rechten Seite des Gerätes verläuft, dann befindet sich die Schüsselabdeckung(6) in der richtigen Stellung und man kann mit der Arbeit beginnen.

### b) Montage der Schüssel (2) des Gerätes

Uwaga: Die Schüssel (2) des Gerätes montiert man VOR dem Befestigen des Zubehörs. Verwenden Sie ausschließlich nur die mit dem Gerät angelieferten Schüsseln (2).

1. Die Stütze der Schüssel wird mit dem Hebel (9) abgesenkt, in dem man ihn nach unten richtet, bis die Schüssel anhält. Die Stütze der Schüssel (12) muss sich in der unteren Stellung befinden.
2. Mit Hilfe der Halterungen (4), die sich an beiden Seiten befinden, ist die Schüssel (2) vorsichtig und langsam auf der Stütze unterzubringen, und anschließend
  - i) den Blockadebolzen in das Loch setzen, das sich in der Mitte der Stütze von der Schüssel (15) befindet und
  - ii) die Schüssel (2) wird gesichert, in dem man die Klemmen der Schüssel (3) nach oben zieht, bis die Schüssel (2) blockiert.



### c) Befestigen des entsprechenden Zubehörs (flacher Rührer, Knethaken für den Teig oder Schneebeesen)

**Hinweis:** Es wird bequemer sein, wenn man das Zubehör vor dem Einbringen der Zutaten in die Schüssel (2) montiert.

1. Die Schüsselabdeckung (5) muss man delikant im Uhrzeigersinn verdrehen, um sie bis zur offenen Position zu verschieben.
2. **HINWEIS!** Das Öffnen oder Schließen der Schüsselabdeckung (5) mit einer zu starken Kraft kann den Mikroschalter des Sicherungselementes beschädigen. Beim Öffnen oder Schließen der Schüsselabdeckung (5) muss man besonders vorsichtig sein.
3. Das Zubehör (flacher Rührer, Haken zum Teigkneten oder der Schneebeesen) ist langsam in die Welle des Planetenmixers einzuschieben, wobei der Bolzen der Welle durch die Öffnung im Zubehörteil geschoben wird.
4. Das Zubehörteil drehen, damit es in der Welle des Planetenmixers blockiert.



#### d) Eingießen und Mischen der Zutaten

Hinweis: Verfahren Sie entsprechend der in der vorliegenden Anleitung dargestellten Tabelle zur Bestimmung der maximalen Anzahl von Bestandteilen, die dem Volumen der Schüssel entspricht. Das Überfüllen der Schüssel über ihr Volumen hinaus kann Leckstellen und im Endeffekt die Beschädigung des Gerätes hervorrufen.

**WICHTIGE INFORMATIONEN:** Überzeugen Sie sich, dass der Drehknopf für die Geschwindigkeitsregelung (6) auf die Position „Haken zum Teigkneten“ eingestellt ist.

#### e) Geschwindigkeit einstellen, Zubehörteile einlegen und das Gerät in Betrieb nehmen

1. Danach wählt man die entsprechende Geschwindigkeit zum Mischen mit Hilfe des Drehknopfes für die Geschwindigkeitsregelung (6). Drei Geschwindigkeiten für die verschiedenen Zubehörteile stehen zur Auswahl:

Mischgeschwindigkeit	Art der Zutaten
Haken zum Teigkneten (niedrige)	Schwere: Mischen vom Teig für Pizza, Brot, Nudeln
Flacher Rührer (mittlere)	Mittelschwere: Zweite Mischstufe z.B. Teig für Gebäck usw.
Schneebeisen (hohe)	Leichte: Schlagen von Sahne, Eiweiß, Schaumgebäck.

2. Danach drückt man den **GRÜNEN** Schalter „I“ (7), um das Gerät **einzuschalten**. Beim Drücken des **ROTEN** Schalters „0“ (8), wird der Funktionsbetrieb des Gerätes angehalten. Das Gerät beginnt mit dem Mischen im Uhrzeigersinn beim Modell 222843 und entgegengesetzt zum Uhrzeigersinn beim Modell 222836.

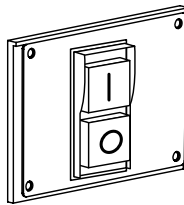
3. **HINWEIS!** Vor einer Änderung der Geschwindigkeit muss man **IMMER** zuerst das Gerät anhalten. Eine Änderung der Geschwindigkeit ohne vorherigem Anhalten des Gerätes kann die innere Konstruktion des Gerätes beschädigen.

1. Die entsprechenden Zutaten in die Schüssel (2) bringen.
2. Den Hebel zum Anheben/Absenken der Schüssel (9) nach oben verschieben, bis sich die Schüssel (2) in der richtigen Position befindet.
3. Die Abdeckung der Schüssel (5) entgegengesetzt zum Uhrzeigersinn drehen, bis sie blockiert. .

**Hinweis:** Das Gerät kann nicht in Betrieb genommen werden, wenn die Abdeckung der Schüssel (5) offen / nicht richtig blockiert wurde oder die Schüssel (2) befindet sich in der unteren Position.

**WICHTIGE INFORMATIONEN:** Es muss **IMMER** das empfohlene Zubehörteil sowie die Einstellung der Geschwindigkeit (6) entsprechend der Tabelle des Volumeninhalts verwendet werden.

**HINWEIS:** Während des Einschüttens der Zutaten in die Schüssel (2) muss man auf den Staub und das Mehl achten, das aus den geöffneten Verpackungen entweicht. Falls notwendig, muss man eine Schutzbrille tragen.



4. Um die Geschwindigkeit während des Funktionsbetriebes zu ändern, muss man:
- a) den **ROTEN** Schalter „0“ (8) drücken, um den Funktionsbetrieb des Gerätes anzuhalten.
  - b) den Stecker von der Steckdose trennen und die Zubehörteile herausnehmen [Siehe=> Teil c]
  - c) die entsprechende Mischgeschwindigkeit mit dem Drehknopf für die Geschwindigkeitsregelung (6) für das jeweilige Zubehör auswählen..
  - d) die **GRÜNE** Taste „I“ (7) drücken, um das Gerät neu zu starten.



## Zurücksetzen der thermischen Sicherung (Schutz vor dem Überhitzen)

Man muss daran denken, dass sich die Taste RESET der thermischen Sicherung (10) im hinteren Teile des Gerätes befindet.

- Zuerst trennt man das Gerät von der Stromversorgung.
- Ebenso muss man das Gerät völlig abkühlen lassen.

- Jetzt drückt man die Taste RESET (10) der thermischen Sicherung (Schutz vor dem Überhitzen).
- Danach ist das Gerät erneut an die Stromversorgungsquelle anzuschließen und einzuschalten.

## Volumentabelle, welche die maximale Füllmenge der Zutaten bestimmt

Die vorliegende Tabelle hat referenzmäßigen Charakter und bestimmt die maximale Menge der Zutaten, die man für das Zubereiten verschieden-

artiger Speisen benötigt. Es gibt viele variable Faktoren, z.B. Art des benutzten Mehles, Wassertemperatur usw.

Produkt	Zubehör	Maximale Menge			
		222836	222966	222843	222973
Eiweiß	Schneebesen	1,0 kg		1,5 kg	
Kartoffelbrei	Flacher Rührer	2,0 kg		2,5 kg	
Schaumgebäck (Wassermenge)	Schneebesen	1,5 Liter		2,0 Liter	
Teig für Waffeln oder Eierkuchen	Flacher Rührer	2,5 Liter		3,0 Liter	
Schlagsahne	Schneebesen	3,5 Liter		4,0 Liter	
Pizzateig (mittlerer Dichte, 50% Wasser)	Haken zum Teigkneten	2,0 kg		2,5 kg	
Pizzateig (dichter, 60% Wasser)	Haken zum Teigkneten	2,5 kg		3,0 kg	
Rührkuchen	Schneebesen	1,5 kg		2,0 kg	
Kuchenteig	Flacher Rührer	2,0 kg		2,5 kg	
Teig für Brot oder Brötchen (leichter/mittlerer Dichte, 60% Wasser)	Haken zum Teigkneten	Wasser 1,5 kg / Mehl 2,5 kg		Wasser 3,0 kg / Mehl 5,0 kg	



## Reinigung und Wartung

**Hinweis:** Vor Beginn der Reinigung, Wartung, Reparatur und dem Verbringen des Gerätes zum Lagerort, muss man immer das Gerät von der Netzsteckdose trennen und abwarten, bis es abgekühlt ist.

### Reinigung

- Vor dem Reinigen des Gerätes muss man immer die Zubehörteile abtrennen – andernfalls können sie in der Welle blockieren und sie sind schwer herauszunehmen.
- Nach jedem Gebrauch muss man das Gerät und die Zubehörteile sehr genau reinigen bzw. sich davon überzeugen, ob alle Speiserückstände entfernt wurden.
- Tauchen Sie das Gerät weder ins Wasser noch in andere Flüssigkeiten.
- Die Oberflächen des Gerätes reinigt man mit Hilfe eines feuchten Lappens oder Schwamms mit geringer Menge einer milden Waschmittellösung.
- Zum Reinigen der Innen- und Außenteile des Gerätes darf man weder einen rauen Schwamm noch ein ätzendes Mittel bzw. auch keine Drähte oder Metallgegenstände verwenden.
- Waschen Sie das Gerät **NICHT** mit Wasser oder einem starken Strahl. Durch das Waschen mit Wasser kann es in die elektrischen Teile gelangen und es kann zu einem Stromschlag kommen.
- Weder die Geräte noch die Zubehörteile dürfen in der Geschirrspülmaschine gewaschen werden.

Empfohlene Waschmethoden für das Gerät:

Teile	Reinigung	Häufigkeit
Schüssel	Mit einem Schwamm oder feuchten Lappen mit geringer Menge einer milden Waschmittellösung waschen, desinfizieren und genau trocknen.	Nach jedem Gebrauch.
Zubehör (Haken zum Teignetzen, flacher Rührer und Schneebesen)	Mit einer milden Waschmittellösung von Hand durchwaschen, desinfizieren und genau trocknen.	Nach jedem Gebrauch.
Schüsselabdeckung	Mit einem Schwamm oder feuchten Lappen mit der geringen Menge einer milden Waschmittellösung von Hand durchwaschen, desinfizieren und genau trocknen.	Nach jedem Gebrauch.
Außenfläche	Mit einem Lappen mit einer milden Waschmittellösung abreiben, desinfizieren und genau trocknen. Zum Reinigen darf kein Wasserstarhl verwendet werden. .	Zwei Mal in der Woche.
Welle der Planetenmechanik	Mit einem Lappen mit einer milden Waschmittellösung abreiben, desinfizieren und genau trocknen.	Nach jedem Gebrauch.

### Lagerung

- Vor dem Ablegen des Gerätes am Lagerort muss man sich immer davon überzeugen, ob das Gerät von der Netzsteckdose getrennt wurde und völlig abgekühlt ist.
- Das Gerät muss man an einem kühlen, sauberen und trockenen Ort lagern.



## Suchen und Beseitigen von Mängeln

Wenn das Gerät nicht richtig funktioniert, muss man sich zwecks Finden einer richtigen Lösung mit nachfolgender Tabelle vertraut machen. Wenn man das Problem weiterhin nicht lösen kann, muss ist sich mit dem Lieferanten in Verbindung zu setzen. Die Reparatur darf NIEMALS selbstständig durchgeführt werden.

Problem	Mögliche Ursache	Mögliche Lösung
Das Gerät kann nicht in Betrieb genommen werden.	Die Abdeckung der Schüssel (5) befindet sich nicht in der richtigen (blockierten) Stellung.	Abdeckung der Schüssel (5) nach rechts drehen, bis sie sich in der richtigen (blockierten) Stellung befindet.
	Die Schüssel (2) wurde nicht ausreichend genug angehoben und befindet sich nicht in der richtigen Stellung.	Die Schüssel (2) mit dem Hebel (9) in die richtige Stellung anheben.
	Der Stecker wurde nicht richtig an die Stromversorgungsquelle angeschlossen.	Es ist zu prüfen, ob der Stecker an die Stromversorgungsquelle richtig angeschlossen ist.
Das Gerät hält während des Betriebes an.	Die innere Sicherung vor dem Überhitzen hat angesprochen..	Den ROTEN Schalter „0“ (8) drücken, das Gerät von der Stromversorgungsquelle trennen, völlig abkühlen lassen, die Taste RESET (10) drücken, die sich hinten am Gerät befindet.
	Der Riemen des Getriebes ist beschädigt oder zerstört.	Mit dem Lieferanten in Verbindung setzen. .
Der Planetenmixer arbeitet zu laut.	Der Planetenmixer wurde nicht auf einer horizontalen Fläche angeordnet.	Die Fläche horizontal stellen oder das Gerät zu einer anderen horizontalen Fläche tragen.
	Die Schüssel (2) wurde nicht richtig in die Stütze eingesetzt.	Überzeugen Sie sich, dass die Schüssel (2) richtig in die Stütze (12) eingesetzt wurde, und zwar mit richtig eingesetzten Blockadebolzen (3).
	Die Zubehörteile wurden nicht richtig montiert.	Die Zubehörteile herausnehmen und erneut richtig montieren.
	Zu viele Zutaten in der Schüssel.	Die Menge der Zutaten verringern.
	Der Riemen des Getriebes ist beschädigt oder zerstört.	Mit dem Lieferanten in Verbindung setzen.
	Das Planetengetriebe muss geschmiert werden.	
Die Montage der Zubehörteile in der Planetenwelle ist erschwert.	Die Planetenwelle ist unzureichend geschmiert und/oder ihre Reinigung ist erforderlich.	Planetenwelle mit einemsauberen, feuchten Lappen abreiben und die Welle mit Mineralöl oder einem Schmiermittel einschmieren.
Der Hebel zum Anheben/Absenken der Schüssel (9) hat sich verklemmt.	Die Schmiermittelmenge an den Seiten der Schüssel ist unzureichend.	Die Seiten der Schüssel mit einem Mineralöl oder Schmiermittel einschmieren.



## Technische Spezifikation

Nr. des Produktes		222836	222966	222843	222973
Betriebsspannung und Frequenz		220 – 240 V~ 50/60Hz			
Nennleistung		600W		1100W	
Nettogewicht (ca.)		53kg		78kg	
Schutzgrad:		Klasse I			
Klasse der Wasserbeständigkeit		IP21			
Drehgeschwindigkeit (Umdreh./Min)	Haken zum Teigkneten	148		197	
	Flacher Rührer	244		317	
	Schneebesem	480		462	
Maximales Volumen der Schüssel		10L		20L	
Maximale Menge Mehl zum Mischen		2,5 kg		5,0 kg	
Maximaler Lärmpegel		< 70 dB (A)			
Außenabmessungen		480 x 400 x (H) 630mm		560 x 500 x (H) 880mm	

**Hinweis: Die technische Spezifikation kann ohne Vorankündigung verändert werden.**

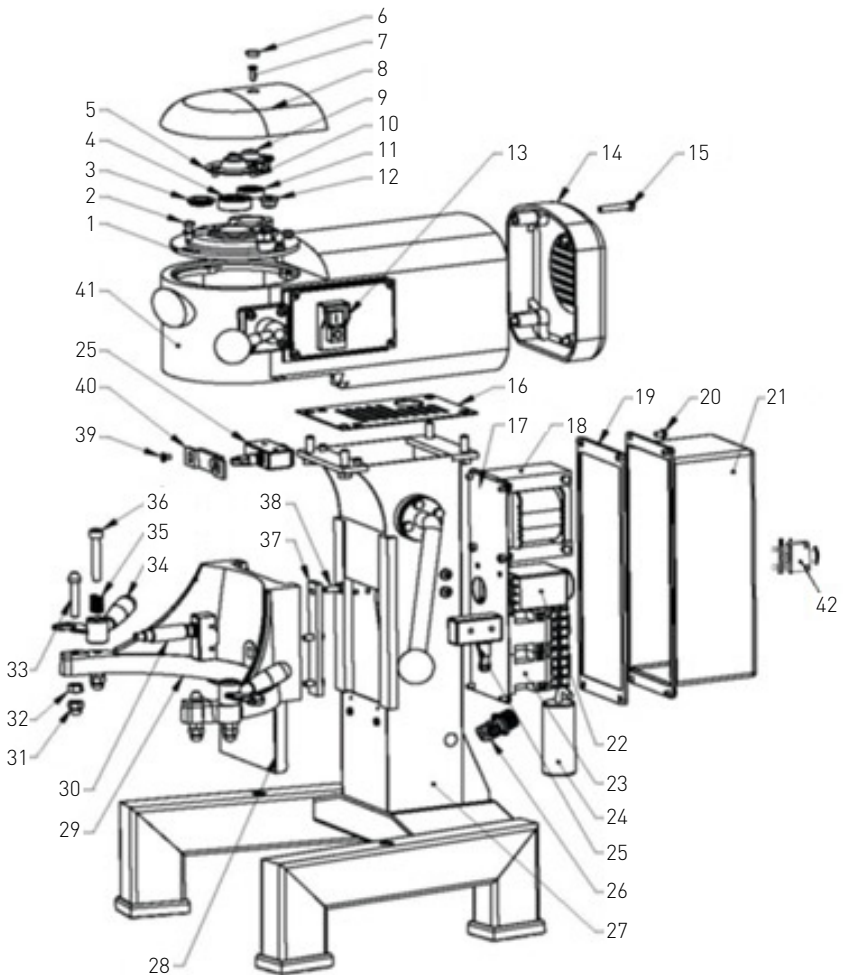
## Zusammenstellungszeichnung und Teileverzeichnis

**Hinweis:** Die Zusammenstellungszeichnung und das Teileverzeichnis bestehen aus folgenden Teilen:

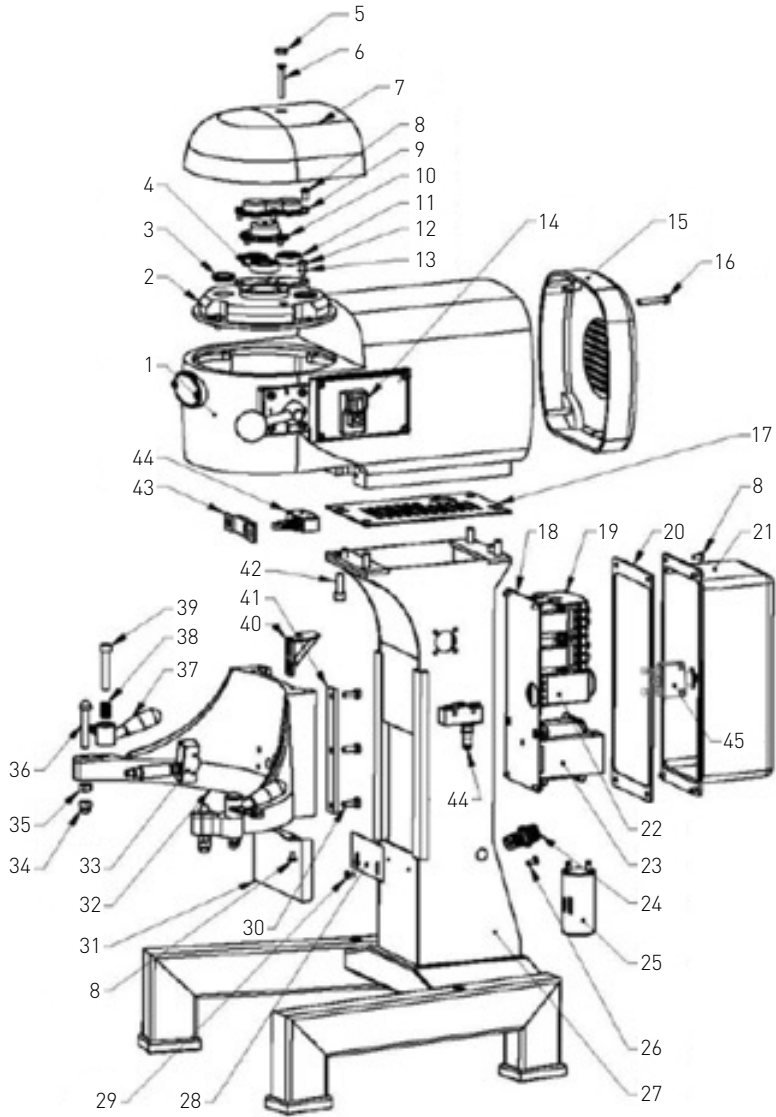
- Im oberen Teil des Gerätes – Getriebesystem, Hebevorrichtung für die Schüssel (Abb. 5);
- Stütze für die Schüssel und Stütze des Gerätes (Abb. 1);
- Drehplatte der Schüsselabdeckung (Abb. 6);
- Baugruppe der Achse (Abb. 2);
- Baugruppe der Getriebeachse (Abb. 3);
- Motorbaugruppe (Abb. 4);
- Baugruppe der Geschwindigkeitsregelung (Abb. 7)

**Abb. 1: Getriebesystem, Stütze für die Schüssel und Stütze des Gerätes**

222836/222966:



Nr. des Teiles	Teilebezeichnung	Anzahl	Nr. des Teiles	Teilebezeichnung	Anzahl
1	Lagerdeckel	1	22	Zeitrelais	1
2	Schraube (M6X16)	4	23	Relais	2
3	Abdeckung	1	24	Kondensator	1
4	Lager 6202	1	25	Mikroschalter	3
5	Mittlere Abdeckung	1	26	Kabelverbindung	1
6	Abdeckung	2	27	Standsäule	1
7	Schraube (M5X16)	1	28	Stehende Säule Platte	1
8	Obere Abdeckung	1	29	Arm, komplett	1
9	Abdeckung	1	30	Hülse (für Mikroschalter)	1
10	Schraube (M5X8)	5	31	Hutmutter (M8)	2
11	Lager 6001	1	32	Mutter (M8)	4
12	Abdeckung	1	33	Schraube der Schale	2
13	Netzschalter	1	34	Fester Griff	2
14	Hintere Abdeckung	1	35	Feder fester Griff	2
15	Schraube (M6X35)	4	36	Schraube (M8X60)	2
16	Nagetier-Schutzplatte	1	37	Flat clamp	2
17	Elektrische Platine	1	38	Schraube (M6X16)	6
18	Transformator	1	39	Schraube (M4X8)	2
19	Dichtungstreifen für Elektrokästen	1	40	Mikroschalter-Rack	2
20	Schraube (M5X8)	4	41	Korpus	1
21	Elektronik	1	42	Überlastet-Schalter	1



DE

Nr. des Teiles	Teilebezeichnung	Anzahl	Nr. des Teiles	Teilebezeichnung	Anzahl
1	Korpus	1	24	Kabelverbindung	1
2	Lagerdeckel	1	25	Kondensator	1
3	Abdeckung	2	26	Kupferschraube (M5X12)	1
4	Lager (6003)	1	27	Standsäule	1
5	Abdeckung	3	28	Stehende Säule Platte	1
6	Schraube (M6X45)	1	29	Schraube (M4X8)	2
7	Obere Abdeckung	1	30	Schraube (M6X16)	6
8	Schraube (M5X8)	7	31	Stehende Säule Platte	1
9	Abdeckung	1	32	Arm	1
10	Mittlere Abdeckung	1	33	Hülse (für Mikroschalter)	1
11	Lager (6201)	2	34	Hutmutter (M8)	2
12	Schraube (M6X14)	4	35	Mutter (M8)	2
13	Federscheibe 6	4	36	Schraube der Schale	2
14	Netzschalter	1	37	Fester Griff	2
15	Hintere Abdeckung	1	38	Feder fester Griff	2
16	Schraube (M6X35)	4	39	Schraube (M8X60)	2
17	Nagetier-Schutzplatte	1	40	Kunststoffblock	1
18	Elektrische Platine	1	41	Flachklemme	2
19	Relais	2	42	Schraube (M8X25)	4
20	Dichtungsstreifen für Elektrokästen	1	43	Mikroschalter-Rack	1
21	Elektronik	1	44	Mikroschalter	2
22	Zeitrelais	1	45	Überlastet-Schalter	1
23	Transformator	1			



## Abb. 2: Achsenbaugruppe

222836/222966:

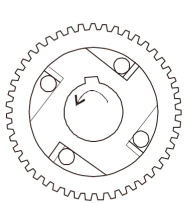
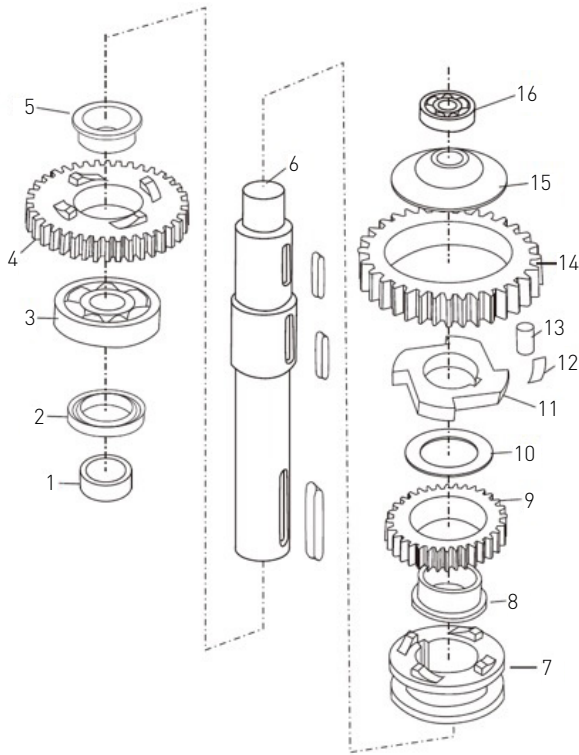


Abb. 2-1

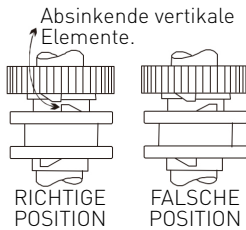


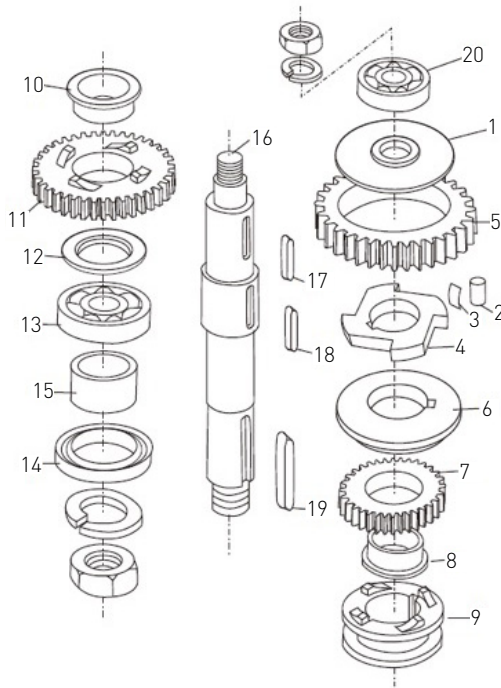
Abb. 2-2

Hinweis:

1. Man muss daran denken, dass die Teile an den richtigen Stellen montiert und die in der Abb. 2-1 dargestellten Bolzen geschmiert werden.
2. Es ist zu prüfen, ob nach dem erneuten Zusammenlegen des Gerätes die Öldichtung sich an der richtigen Stelle befindet.

Nr. des Teiles	Teilebezeichnung	Anzahl
1	Abdeckung	1
2	Öldichtung	1
3	Lager (6204)	1
4	Koppelgetriebe	1
5	Lager	1
6	Zentrale Achse	1
7	Koppler	1
8	Lager	1
9	Kleiner Zahnkranz	1
10	Teilering	1
11	Aktuator	1
12	Feder	1
13	Rolle	1
14	Großer Zahnkranz	1
15	Abdeckung	1
16	Lager (6001)	1





DE

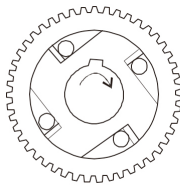


Abb. 2-1

Die senkrechten Seiten der Backen  
müssen aufeinander zeigen.

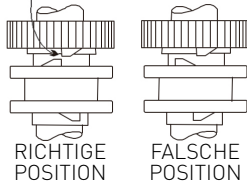


Abb. 2-2

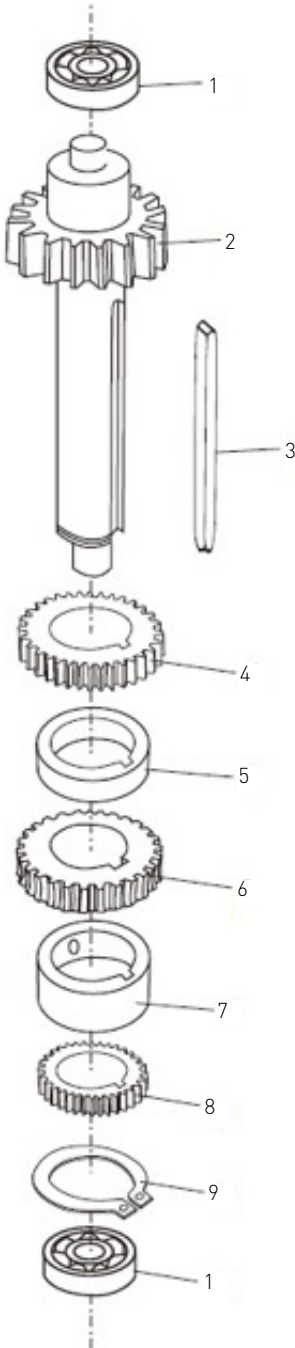
Hinweis:

1. Man muss daran denken, dass die Teile an den richtigen Stellen montiert und die in der Abb. 2-1 dargestellten Bolzen geschmiert werden.
2. Es ist zu prüfen, ob nach dem erneuten Zusammenlegen des Gerätes die Öldichtung sich an der richtigen Stelle befindet.

Nr. des Teiles	Teilebezeichnung	Anzahl
1	Abdeckung	1
2	Rolle	1
3	Feder	1
4	Aktuator	1
5	Zahnkranz	1
6	Teillerring	1
7	Oberes Zahnrad	1
8	Lagerring	1
9	Kupplungsring	1
10	Lagerring	1
11	Unteres Zahnrad	1
12	Ring	1
13	Lager (6205)	1
14	Öldichtung (30X45X10)	1
15	Abstandshalter	1
16	Zentrale Achse	1
17	Taste (6X14)	1
18	Taste (5X35)	1
19	Taste (6X30)	1
20	Lager (6003)	1

**Abb. 3: Baugruppe der Getriebeachse**

222836/222966:

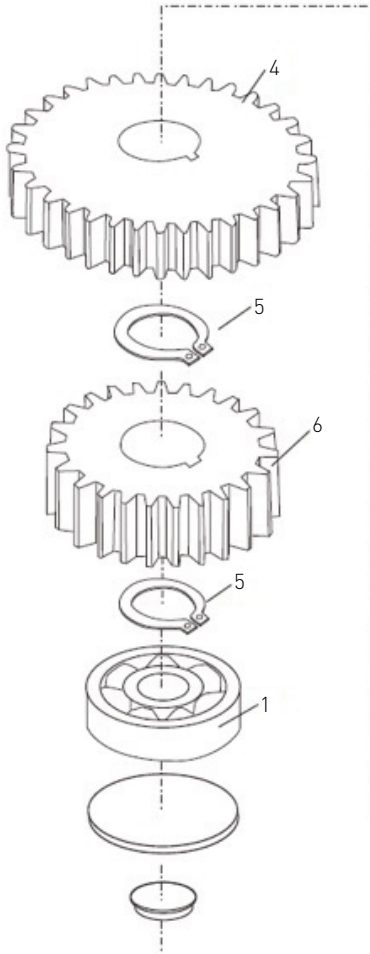


Nr. des Teiles	Teilebezeichnung	Anzahl
1	Lager (6001)	2
2	Hochgeschwindigkeits-Getriebeachse	1
3	Taste (5X58)	1
4	Oberstes Zahnrad	1
5	Kleiner Abstandshalter	1
6	Unteres Zahnrad	1
7	Großer Abstandshalter	1
8	Unterstes Zahnrad	1
9	Sicherungsring	1

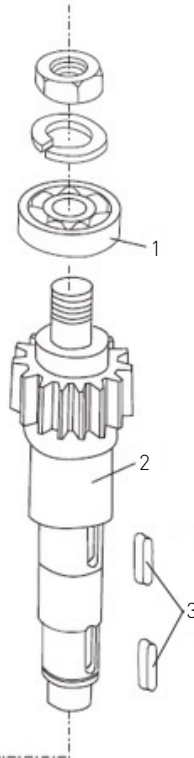
Hinweis: Man muss sich überzeugen, dass in jedem Getriebe die Nuten untergebracht wurden

DE





Doppel-Getriebeachse

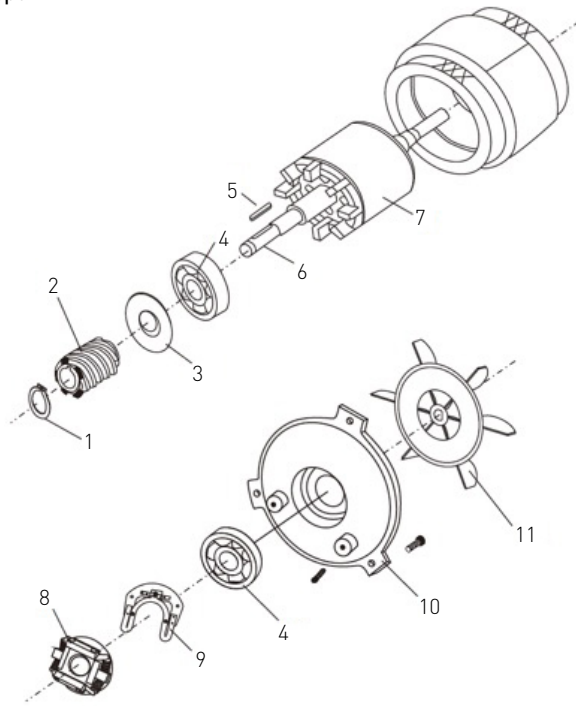


Einzel-Getriebeachse

Nr. des Teiles	Teilebezeichnung	Anzahl	Nr. des Teiles	Teilebezeichnung	Anzahl
1	Lager (6201)	4	6	Unteres Zahnrad	1
2	Doppel-Getriebeachse	1	7	Einzel-Getriebeachse	1
3	Taste (5X11)	2	8	Taste (5X14)	1
4	Oberes Zahnrad	1	9	Zahnrad	1
5	Sicherungsring	3			

Hinweis: Man muss sich überzeugen, dass in jedem Getriebe die Nuten untergebracht wurden.

Abb. 4: Motorbaugruppe



Nr. des Teiles	Teilebezeichnung	Anzahl	Nr. des Teiles	Teilebezeichnung	Anzahl
1	Anschlagring (nur 222843)	1	7	Rotor	1
2	Spirale	2	8	Schalter	1
3	Öldichtung	1	9	Kunststoff-Schalterplatte	1
4	Lager	1	10	Lagerdeckel	1
5	Taste (4x22)	1	11	Ventilator	1
6	Achse	1			

Abb. 4-1

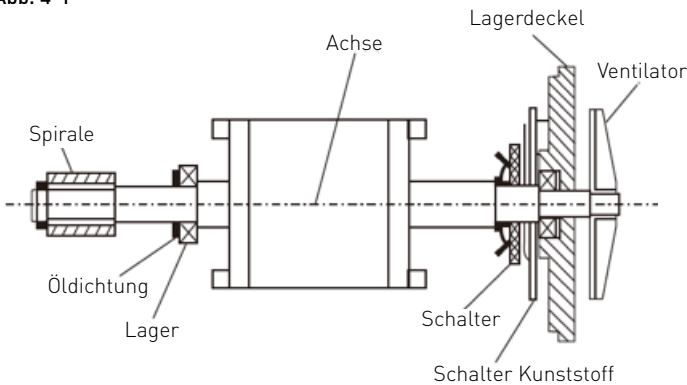
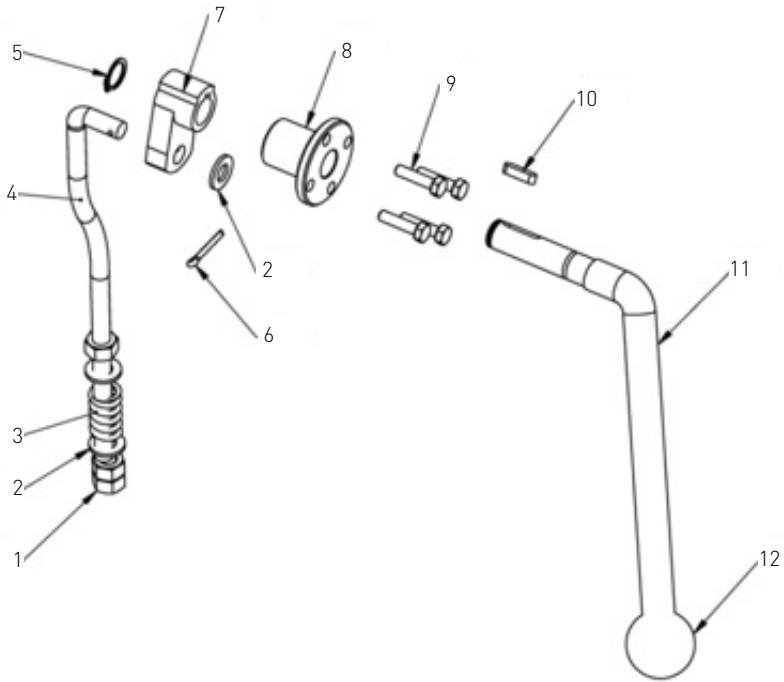


Abb. 5: Hebevorrichtung für die Schüssel

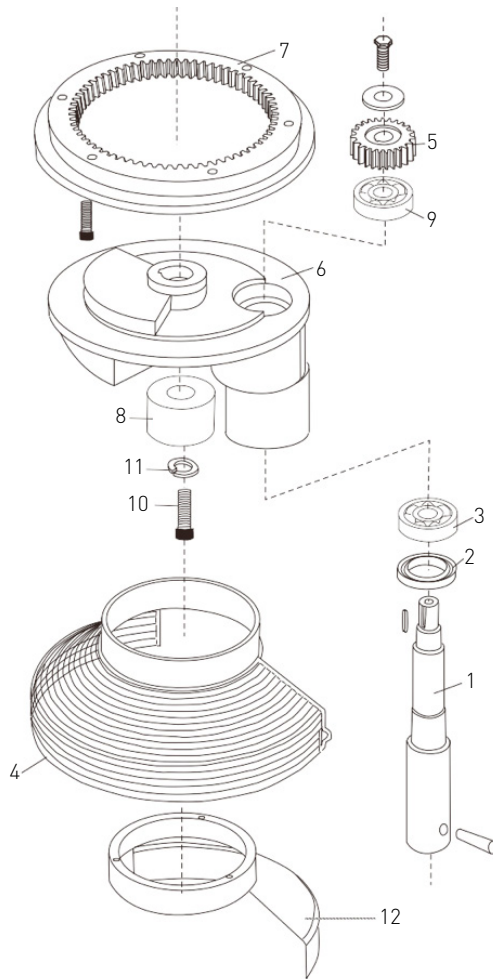


DE

Nr. des Teiles	Teilebezeichnung	Anzahl	Nr. des Teiles	Teilebezeichnung	Anzahl
1	Mutter (M10)	3	7	Kurbelrad	1
2	Unterlegscheibe	2	8	Flanschknuten	1
3	Armfeder	1	9	Schraube (M6X25)	4
4	Hehebügel	1	10	Taste (5x20)	1
5	Anschlagring	1	11	Griff zum Anheben der Schüssel	1
6	Splint	1	12	Kunststoffkugel	1

## Abb. 6: Drehplatte und Mischachse

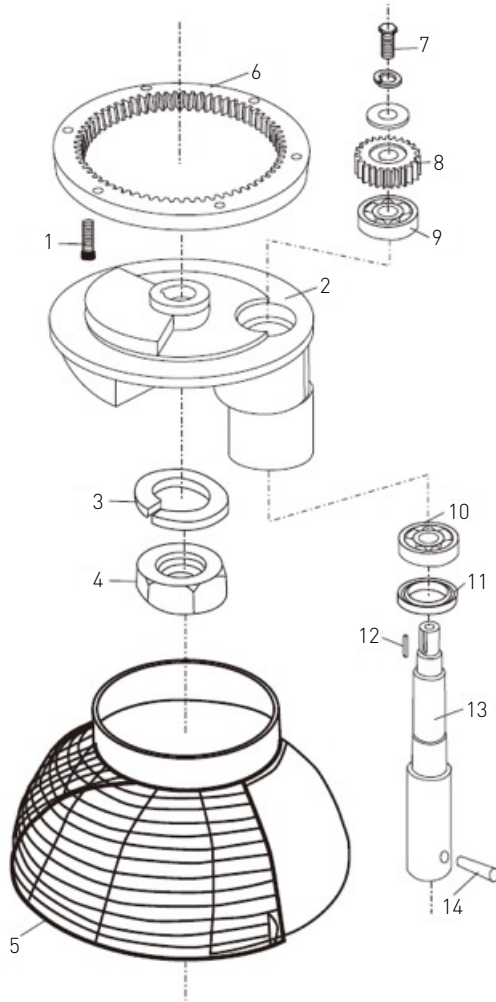
222836/222966:



Nr. des Teiles	Teilebezeichnung	Anzahl	Nr. des Teiles	Teilebezeichnung	Anzahl
1	Mischachse	1	7	Inneres Getriebe	1
2	Öldichtung [20X40X10]	1	8	Abdeckung	1
3	Lager	1	9	Lager	1
4	Schalenschutz	1	10	Schraube (M8X20)	1
5	Planetengeräte	1	11	Federscheibe	1
6	Drehteller	1	12	Rückseitige Abdeckung des Schalenschutzes	1

DE

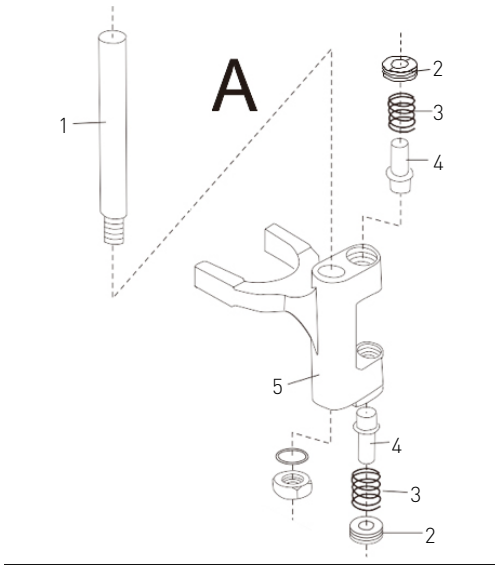




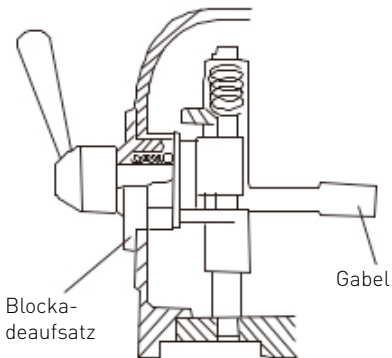
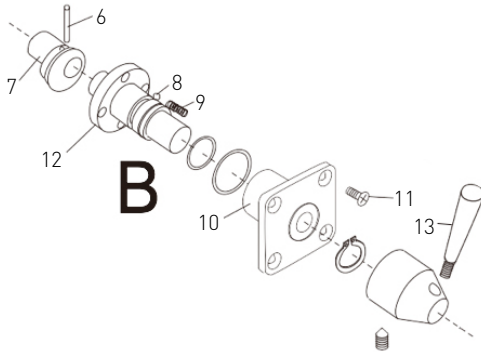
Nr. des Teiles	Teilebezeichnung	Anzahl	Nr. des Teiles	Teilebezeichnung	Anzahl
1	Schraube (M6X25)	1	8	Planetengetriebe	1
2	Drehteller	1	9	Lager (6203)	1
3	Federscheibe	1	10	Lager (6204)	1
4	Mutter (M18)	1	11	Öldichtung (25X50X10)	1
5	Schalenschutz	1	12	Taste (5X18)	1
6	Inneres Getriebe	1	13	Mischachse	1
7	Schraube (M8X15)	1	14	Stift	1



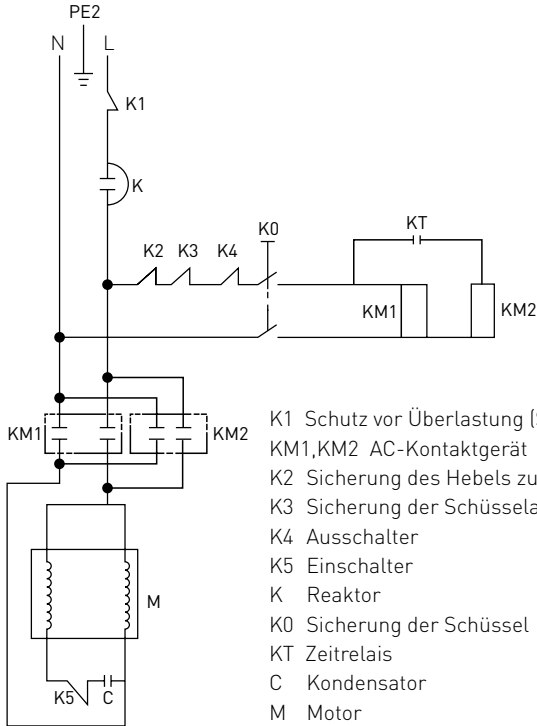
Abb. 7: Baugruppe der Geschwindigkeitsregelung



Nr. des Teiles	Teilebezeichnung	Anzahl	
A	1	Stab	1
	2	Mutter	1
	3	Feder	1
	4	Welle	1
	5	Gabel	1
B	6	Stift (3X20)	1
	7	Knoten	1
	8	Stahlkugellager	3
	9	Feder	3
	10	Blockabdeckung	1
	11	Schraube (M5X10)	1
	12	Welle	1
	13	Hebel	1



## Stromlaufplan



- K1 Schutz vor Überlastung (Schutz vor dem Überhitzen)
- KM1, KM2 AC-Kontaktgerät
- K2 Sicherung des Hebels zum Anheben des Schüssel
- K3 Sicherung der Schüsselabdeckung
- K4 Ausschalter
- K5 Einschalter
- K Reaktor
- K0 Sicherung der Schüssel
- KT Zeitrelais
- C Kondensator
- M Motor

## Garantie

Alle innerhalb von einem Jahr nach dem Kaufdatum festgestellten Defekte oder Mängel, die die Funktionalität des Gerätes beeinträchtigen, werden auf dem Wege der unentgeltlichen Reparatur bzw. des Austausches unter der Voraussetzung beseitigt, dass das Gerät in einer der Bedienungsanleitung gemäßen Art und Weise betrieben und gewartet wird und weder vorsätzlich vernichtet noch nicht bestimmungsgemäß genutzt wurde. Ihre Rechte aus den entsprechenden Gesetzen

bleiben davon unberührt. Eine in der Garantiefrist einzureichende Beanstandung hat die Angabe des Kaufortes und Kaufdatums und in der Anlage einen Kaufbeleg (z.B. Kassenzettel) zu enthalten.

Gemäß unserer Politik der ständigen Weiterentwicklung unserer Produkte behalten wir uns vor, Änderungen am Produkt, an seiner Verpackung und an den dokumentierten technischen Daten ohne vorherige Ankündigung vorzunehmen.

## Entsorgung und Umweltschutz

Wird das Gerät außer Betrieb genommen, darf es nicht über den Hausmüll entsorgt werden. Der Benutzer ist für die Übergabe des Gerätes an eine geeignete Sammelstelle für Altgeräte verantwortlich. Die Nichteinhaltung dieser Regel kann gemäß den geltenden Vorschriften über die Abfallentsorgung bestraft werden. Die getrennte Sammlung und das Recycling der Altgeräte trägt zur Schonung der natürlichen Ressourcen bei und sorgt

für eine umwelt- und gesundheitsschonende Verwertungsweise. Weitere Informationen darüber, wo Sie Ihre Altgeräte entsorgen können, erhalten Sie bei Ihrem örtlichen Entsorgungsunternehmen. Der Hersteller und der Importeur übernehmen keine Verantwortung für das Recycling sowie die umweltfreundliche Verwertung von Abfällen, weder direkt noch über ein öffentliches System.



Geachte klant,

Hartelijk dank voor de aankoop van dit Hendi apparaat. Leest u deze gebruiksaanwijzing zorgvuldig voordat u het apparaat gebruikt, dit om schade door verkeerd gebruik te voorkomen. Lees vooral de veiligheidsinstructies aandachtig door.

## Veiligheidsinstructies


- Onjuiste bediening en verkeerd gebruik van het apparaat kan ernstige schade aan het apparaat en verwonding van personen tot gevolg hebben.
- Dit apparaat is niet bedoeld voor huishoudelijk gebruik.
- Het apparaat mag alleen worden gebruikt voor het doel waarvoor het werd ontworpen. De fabrikant aanvaardt geen enkele aansprakelijkheid voor schade als gevolg van onjuiste bediening en verkeerd gebruik.
- Zorg dat het apparaat en de stekker niet met water of een andere vloeistof in aanraking komen. Mocht het apparaat onverhoopt in het water vallen, trek dan onmiddellijk de stekker uit het stopcontact en laat het apparaat controleren door een erkend vakman. Niet-naleving hiervan kan levensgevaar opleveren.
- Probeer nooit zelf de behuizing van het apparaat te openen.
- Steek geen voorwerpen in de behuizing van het apparaat.
- Raak de stekker niet met natte of vochtige handen aan.
- ⚠ **Gevaar van elektrische schokken!** Probeer het apparaat niet zelf te repareren. In het geval van storingen, laat reparaties alleen uitvoeren door gekwalificeerd personeel.
- **Gebruik nooit een beschadigd apparaat!** Als het apparaat is beschadigd, haal de stekker dan uit het stopcontact en neem contact op met de winkel.
- **Waarschuwing!** Dompel de elektrische onderdelen van het apparaat niet onder in water of andere vloeistoffen. Houd het apparaat nooit onder stromend water.
- Controleer de stekker en het netsnoer regelmatig op schade. Als de stekker of het netsnoer is beschadigd, moet het worden vervangen door de technische dienst of een soortgelijk gekwalificeerd persoon om gevaar of letsel te voorkomen.
- Zorg ervoor dat het netsnoer niet in contact komt met scherpe of hete voorwerpen en houd het uit de buurt van open vuur. Als u de stekker uit het stopcontact wilt halen, trek dan altijd aan de stekker en niet aan het netsnoer.
- Zorg ervoor dat niemand per ongeluk aan het netsnoer (of verlengsnoer) kan trekken of kan struikelen over het netsnoer.
- Houd het apparaat in de gaten tijdens gebruik.
- **Waarschuwing!** Zolang de stekker in het stopcontact zit, is het apparaat aangesloten op de voedingsbron.
- Schakel het apparaat uit voordat u de stekker uit het stopcontact trekt.
- Draag het apparaat nooit aan het netsnoer.
- Gebruik geen extra hulpmiddelen die niet worden meegeleverd met het apparaat.
- Sluit het apparaat alleen aan op een stopcontact met de spanning en frequentie die is vermeld op het typeplaatje.

NL



- Sluit de stekker aan op een stopcontact dat eenvoudig bereikt kan worden, zodat de stekker in geval van nood onmiddellijk uit het stopcontact kan worden getrokken. Trek de stekker volledig uit het stopcontact om het apparaat volledig uit te schakelen. Gebruik de stekker om het apparaat los te koppelen van het lichtnet.
- Schakel het apparaat altijd uit voordat u de stekker uit het stopcontact trekt.
- Gebruik nooit accessoires die niet worden aanbevolen door de fabrikant. Zij kunnen mogelijk een veiligheidsrisico vormen voor de gebruiker en kunnen het apparaat mogelijk beschadigen. Gebruik alleen originele onderdelen en accessoires.
- Dit apparaat is niet geschikt voor gebruik door personen (inclusief kinderen) met een verminderd fysiek, sensorisch of geestelijk vermogen, of gebrek aan ervaring en kennis.
- Dit apparaat mag onder geen enkele omstandigheid worden gebruikt door kinderen.
- Houd het apparaat en het netsnoer buiten bereik van kinderen.
- Kinderen mogen niet met het apparaat spelen.
- Koppel het apparaat altijd los van het lichtnet als het onbeheerd wordt achtergelaten en voordat het apparaat wordt gemonteerd, gedemonteerd of gereinigd.
- Laat het apparaat nooit onbeheerd achter tijdens gebruik.

## Speciale veiligheidsvoorschriften

- Gebruik het apparaat alleen zoals beschreven in deze handleiding.
- Dit apparaat moet worden gebruikt en geïnstalleerd door gespecialiseerd en getraind personeel in de keuken van bedrijven of instanties in de voedingsindustrie zoals catering, bakkerij, pizzeria, banketbakker, etc.
- Alle onderhouds-, installatie- en reparatiewerkzaamheden moeten worden uitgevoerd door gespecialiseerde en getrainde technici.
-  Er zit een potentiaalvereffeningsaansluiting op de achterkant van het apparaat voor 'cross bonding' met andere apparatuur.
- Plaats het apparaat niet op een warmtebron (kooktoestel op benzine, elektriciteit, kolen, etc.) Houd het apparaat uit de buurt van hete oppervlakken en open vuur. Gebruik het apparaat altijd op een vlakke, stabiele, schone, hittebestendige en droge ondergrond.
- Gebruik het apparaat niet in de buurt van explosieve of brandbare materialen, credit cards, magnetische schijven of radio's.
- Draag tijdens gebruik indien nodig beschermende kleding, een masker of veiligheidsbril.
- Dit apparaat is niet bedoeld om gebruikt te worden in combinatie met een externe timer of een apart afstandsbedieningssysteem.
- Probeer de beveiligingsmechanismen op het apparaat nooit te omzeilen.
- **WAARSCHUWING:** Houd alle ventilatieopeningen op het apparaat vrij.
- **WAARSCHUWING:** Schakel het apparaat **ALTIJD** uit en trek de stekker uit het stopcontact alvorens reinigings- of onderhoudswerkzaamheden uit te voeren of opzetstukken te verwisselen.
- Laat tijdens gebruik minimaal 30 cm ruimte vrij rond het apparaat voor ventilatiedoel-  
einden.

- **Let op!** Plaats het netsnoer indien nodig op een veilige manier om te voorkomen dat het netsnoer in contact kan komen met het verwarmingsoppervlak en dat er per ongeluk aan het netsnoer kan worden getrokken.
- **WAARSCHUWING!** Houd uw handen, lang haar en losse kleding **ALTIJD** uit de buurt van de bewegende onderdelen.
- Plaats uw handen tijdens gebruik niet in het afgeschermd gebied of de mengkom.
- Plaats niet teveel ingrediënten in het apparaat om overlopen van voedingsmiddelen te voorkomen. De maximale capaciteit van de kom is 10 liter voor 222836, 222966 en 20 liter voor 222843, 222973.
- Was het apparaat niet met water of een waterstraal. Wassen met water kan lekkage veroorzaken en het risico op elektrische schokken verhogen. Geen van de onderdelen zijn vaatwasmachinebestendig.
- Reinig of berg het apparaat niet op tenzij het volledig is afgekoeld.
- Er is speciale aandacht vereist als u het apparaat wilt verplaatsen of transporteren, omdat het apparaat zeer zwaar is. Verplaats met minimaal 2 personen of gebruik een karretje om te helpen bij het verplaatsen. Verplaats het apparaat langzaam, voorzichtig en nooit gekanteld onder een hoek groter dan 45°.

---

#### Beoogd gebruik

- Dit apparaat is bedoeld voor professioneel gebruik en kan alleen worden bediend door gekwalificeerd personeel.
- Dit apparaat is uitsluitend bestemd voor het mengen, kneden en emulgeren / kloppen van voedingsmiddelen gebruikt in de voedingsindustrie en winkels. Elk ander gebruik kan leiden tot schade aan het apparaat of lichamelijk letsel.
- Gebruik van het apparaat voor andere doeleinden wordt beschouwd als verkeerd gebruik van het apparaat. De gebruiker is volledig aansprakelijk voor alle risico's die voortvloeien uit verkeerd gebruik van het apparaat.

---

#### Installatie met aarding

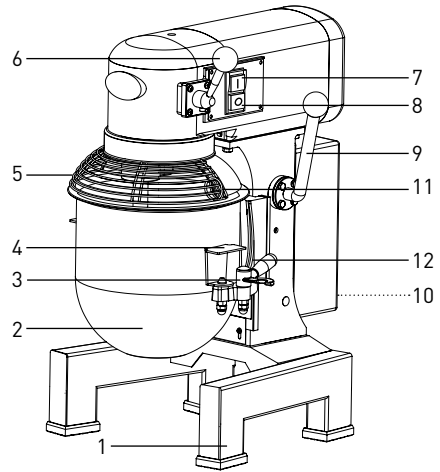
Dit apparaat is geclassificeerd als beschermingsklasse I en moet worden aangesloten op een aansluiting met aarde. Aarding verlaagt de kans op elektrische schokken doordat elektrische stroom via een ontsnapingsdraad kan weglopen. Dit ap-

paraat is uitgerust met een snoer met een aardedraad en een geaarde stekker. De stekker moet in een stopcontact worden gestoken dat juist is geïnstalleerd en geaard.

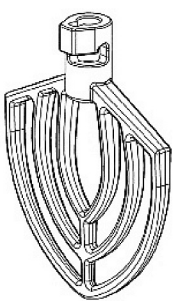


## Belangrijkste onderdelen van het apparaat

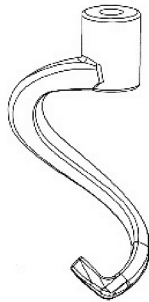
1. Stevig voetstuk
2. Kom
3. Klemmen kom (x2)
4. Handgrepen kom (x2)
5. Beschermdeskel kom
6. Snelheidshendel  
(3 instellingen voor koppelstukken)
7. ON-knop (GROEN, I)
8. STOP-knop (ROOD, O)
9. Hendel voor heffen / laten zakken kom
10. RESET-knop (op achterkant)
11. Handgreep beschermdeskel kom
12. Bevestiging kom



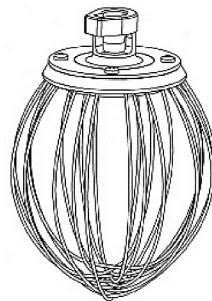
## Koppelstukken



Klopper



Deeghaak



Garde

## Vorbereidingen voor installatie

- Draai het apparaat indien nodig voorzichtig los van het glijstelsysteem met behulp van een moersleutel.
- Verwijder alle beschermende verpakkingsmaterialen.
- Controleer het apparaat op volledigheid en eventuele transportschade. Neem in geval van schade of een onvolledige levering (bijv. bij ontbreken garde, klopper of deeghaak) onmiddellijk contact

op met uw leverancier/importeur. Gebruik het apparaat NIET. (Zie ==> Garantie).

- Reinig het apparaat en de koppelstukken voor gebruik (Zie ==> Reiniging en onderhoud).
- Zorg ervoor dat het apparaat volledig droog is.
- Bewaar de verpakking om uw apparaat op te bergen als het voor een lange periode niet wordt gebruikt.

---

## Installatie

- Lees deze handleiding volledig en zorgvuldig door alvorens het apparaat te installeren en bedienen.
- Zorg ervoor dat het apparaat in een droge omgeving op ondergrond die het gewicht van het apparaat kan ondersteunen wordt geplaatst en dat er zich geen obstakels in de buurt van het apparaat bevinden tijdens gebruik.
- Zorg ervoor dat de specificaties van de stroomvoorziening overeenkomen met de gegevens op het typeplaatje op het apparaat.
- Er moet voldoende ruimte vrij worden gehouden

den rond het apparaat, zodat de gebruiker het apparaat eenvoudig en zonder belemmeringen kan gebruiken. De omgeving moet altijd schoon en vrij van obstakels zijn, bijv. zorg ervoor dat er geen voorwerpen als schrapers of messen op of in de buurt van het apparaat worden geplaatst.

- Draag geen loshangende kleding, zoals sjaals, etc. en bind lang haar op en houd uit de buurt van de bewegende onderdelen.

**LET OP!** Omzeil de veiligheidsschakelaars nooit.

---

## Vervoer en behandeling

- Verplaats het apparaat niet tijdens gebruik.
- Trek de stekker uit het stopcontact, verwijder de kom (2) en alle koppelstukken (garde, koper of deeghaak) als u het apparaat verplaatst.

- Houd het stevige voetstuk (1) van het apparaat vast wanneer u het apparaat verplaatst.
  - Verplaats het apparaat met minimaal 2 personen of gebruik een karretje om te helpen bij het verplaatsen, het apparaat is zeer zwaar.
- 

## Speciale veiligheidsfuncties

**Attentie:** Dit apparaat beschikt over 3 veiligheidsschakelaars. Het apparaat kan alleen worden gestart als alle veiligheidsschakelaars in de juiste stand staan.

- Veiligheidsschakelaar kompositie: Het apparaat kan worden opgestart zodra de kom(2) op de juiste plaats is geplaatst.
- Veiligheidsschakelaar beschermdeksel kom (5): Het apparaat kan alleen worden opgestart als het beschermdeksel van de kom (5) is gesloten.

- Veiligheidsschakelaar hefhandel kom (9): Het apparaat kan alleen worden opgestart als de hefhandel (9) in de bovenste stand staat

Draag geen loshangende kleding, zoals sjaals, etc. en bind lang haar op en houd uit de buurt van de bewegende onderdelen.

---

## Bediening

**Om ernstig lichamelijk letsel te voorkomen:**

- Gebruik het apparaat **NIET** zonder eerst de handleiding door te nemen.
- **STOP** het apparaat **ALTIJD** door op de RODE "0" knop (8) te drukken en de stekker uit het stopcontact te trekken alvorens reinigings-, onder-

houds- of reparatiewerkzaamheden uit te voeren of koppelstukken te wisselen.

- Houd uw handen, haar en losse kleding **ALTIJD** uit de buurt van de bewegende onderdelen.
- 

### a) Over het beschermdeksel van de kom

**Opmerking:** Als het beschermdeksel van de kom (5) is geopend of niet is gesloten, zal het apparaat niet werken.

1. Open het beschermdeksel van de kom (5) door de handgreep van het beschermdeksel (11) vast te pakken en met de klok mee te draaien.

2. Als de handgreep van het beschermdeksel (11) is uitgelijnd met de rechterkant van het apparaat, is het beschermdeksel van de kom (5) gesloten en is het apparaat klaar voor gebruik.



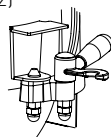
## b) Installeer de kom (2) op het apparaat

Opmerking: Installeer de kom (2) VOORDAT u de koppelstukken bevestigt. Gebruik alleen de meegeleverde kom (2).

1. Laat de kom zakken (2) door de hendel voor het heffen / laten zakken van de kom (9) omlaag te trekken tot deze stopt. Zodanig dat de bevestiging van de kom (12) in een lage stand staat.

2. Plaats de kom (2) voorzichtig en langzaam met behulp van de handgrepen van de kom (4) aan de 2 zijanten en

- i) Met de vergrendelpen in het gat in het midden van de bevestiging van de kom (12)
- ii) Zet de kom (2) vast door de klemmen van de kom (3) naar voren te trekken tot de kom (2) stevig is vastgezet.



## c) De verschillende koppelstukken (klopper, deeghaak of garde) op het apparaat

Opmerking: Het is handiger en eenvoudiger om koppelstukken te installeren voordat u ingrediënten toevoegt in de kom (2).

1. Draai het beschermdeksel van de kom (5) voorzichtig met de klok mee met handgreep van het beschermdeksel (6), zodat deze is geopend.
2. **LET OP!** Als u buitensporig veel kracht gebruikt om het beschermdeksel van de kom (5) te sluiten of openen, kunt u de veiligheidsschakelaar beschadigen. Wees voorzichtig bij het sluiten of openen van het beschermdeksel van de kom (5).
3. Schuif het koppelstuk (klopper, deeghaak of garde) langzaam omhoog op de planetaire as en zorg ervoor dat de pen van de as door de sleuf op het koppelstuk gaat.
4. Draai de koppelstukken vast op de planetaire as.

## d) Gieten en mengen van ingrediënten

**Opmerking:** Volg de tabel in het hoofdstuk 'Capaciteit mengingrediënten' in deze handleiding. U kunt het apparaat beschadigen en het voedsel kan overlopen wanneer u te veel ingrediënten toevoegt in de kom.

**BELANGRIJK:** Zorg ervoor dat de snelheidshendel (6) in de stand "deeghaak" staat.

1. Voeg alle ingrediënten toe in de kom (2).

2. Druk de hefhandel van de kom (9) omhoog tot de kom (2) is vastgezet op zijn plaats.
3. Draai het beschermingsdeksel van de kom (5) tegen de klok in om het deksel te sluiten en vast te zetten op zijn plaats.

**Attentie:** Het apparaat start niet als het beschermdeksel van de kom (5) is geopend / niet juist is gesloten of de kom (2) in de laagste stand staat.

## e) De snelheid en het koppelstuk instellen & het apparaat starten

1. Selecteer daarna de gewenste snelheid door de snelheidshendel (6) omhoog of omlaag te drukken. U kunt kiezen uit drie vaste snelheden voor de verschillende koppelstukken:

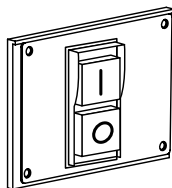
Draaisnelheid	Soort ingrediënt
Deeghaak (Laag)	Zwaar: Mengen van pizza, brood, pasta en
Klopper (Medium)	Medium: 2e fase van mengen voor donut-deeg, etc.
Garde (Hoog)	Licht: Kloppen van room, eiwit, meringue.

**BELANGRIJK:** Gebruik **ALTIJD** de aanbevolen koppelstukken en snelheidsinstelling volgens de capaciteitstabel en de indicatie naast de snelheidshendel (6).

**ATTENTIE:** Wees voorzichtig en houd rekening met het risico dat stof en meel kan ontsnappen wanneer u zakken met ingrediënten openmaakt in de kom (2). Draag indien nodig een veiligheidsmasker of veiligheidsbril.



2. Druk daarna op de GROENE "I" knop (7) om het apparaat AAN te zetten. Druk op de RODE "O" knop (8) om het apparaat te STOPPEN.  
Het apparaat draait met de klok mee voor item 222843 en tegen de klok in voor item 222836.



3. **LET OP! STOP** het apparaat **ALTIJD VOORDAT** u de snelheid wijzigt. Als u dit niet doet, kan dit leiden tot schade aan de inwendige tandwielconstructie.
4. Om de snelheid te wijzigen tijdens gebruik:
- Druk op de RODE "O" knop (8) om het apparaat te STOPPEN.
  - Trek de stekker uit het stopcontact en wissel het koppelstuk. [Zie ==> deel c)].
  - Wijzig de snelheid door de snelheidshendel (6) omhoog of omlaag te drukken en gebruik de juiste snelheid voor het gebruikte koppelstuk.
  - Druk op de GROENE "I" knop (7) om het apparaat opnieuw te starten.

### De maximaalbeveiliging resetten (thermische beveiliging)

Houd er rekening mee dat de RESET-knop (10) op de achterkant van het apparaat zit om oververhitting te voorkomen.

- Trek de stekker van het apparaat eerst uit het stopcontact.
- Laat het apparaat volledig afkoelen.

- Druk op de RESET-knop (10) van de maximaalbeveiliging (thermische beveiliging).
- Steek daarna de stekker in het stopcontact en start het apparaat opnieuw op.

### Capaciteit mengingrediënten

De onderstaande tabel is slechts een referentie met betrekking tot de maximale hoeveelheid voor het maken van verschillende soorten voedsel. Er

zijn vele factoren die hier invloed op hebben, zoals het soort bloem, de temperatuur van het water, etc.

Product	Attachment	Max. hoeveelheid			
		222836	222966	222843	222973
Eiwit	Garde	1,0 kg		1,5 kg	
Aardappelpuree	Klopper	2,0 kg		2,5 kg	
Meringue (hoeveelheid water)	Garde	1,5 liter		2,0 liter	
Wafel of pannenkoekbeslag	Klopper	2,5 liter		3,0 liter	
Slagroom	Garde	3,5 liter		4,0 liter	
Pizzadeeg (Medium, 50% water)	Deeghaak	2,0 kg		2,5 kg	
Pizzadeeg (Dik, 60% water)	Deeghaak	2,5 kg		3,0 kg	
Cake	Garde	1,5 kg		2,0 kg	
Taartdeeg	Klopper	2,0 kg		2,5 kg	
Brood- of kadetdeeg (Licht / Medium, 60% water)	Deeghaak	Water 1,5 kg/ Bloem 2,5 kg		Water 3,0kg/ Bloem 5,0kg	



## Reiniging en onderhoud

**Attentie:** Trek de stekker van het apparaat altijd uit het stopcontact en laat het volledig afkoelen alvorens reinigings-, onderhouds- of reparatiewerkzaamheden uit te voeren & alvorens het apparaat op te bergen.

### Reiniging

- Verwijder altijd alle koppelstukken voordat u het apparaat reinigt, anders kunnen deze klem komen te zitten op de as en is het lastig deze later te verwijderen.
- Reinig het apparaat en de koppelstukken grondig na elk gebruik en zorg ervoor dat alle voedselresten worden verwijderd.
- Dompel het apparaat nooit onder in water of andere vloeistoffen.
- Reinig het oppervlak met een licht bevochtigde doek of spons met wat milde zeepoplossing.
- Gebruik nooit schuursponsjes of reinigingsmiddelen, staalwol of metalen keukengerei/gereedschap om de onderdelen aan de binnenkant of buitenkant van het apparaat te reinigen.
- Was het apparaat niet met water of een waterstraal. Wassen met water kan lekkage veroorzaken en het risico op elektrische schokken verhogen.
- Geen van de onderdelen zijn vaatwasmachinebestendig.

Aanbevolen reinigingsprocedure:

Onderdelen	Hoe te reinigen	Frequentie
Kom	Gebruik een spons of vochtige doek met milde zeep en water, grondig spoelen, desinfecteren en drogen.	Reinig na elk gebruik
Koppelstukken (deeghaak, klopper en garde)	Met de hand wassen met behulp van milde zeep en water, grondig spoelen, desinfecteren en drogen.	Reinig na elk gebruik
Beschermdeksel kom	Met de hand wassen met behulp van spons of vochtige doek met milde zeep en water, grondig spoelen, desinfecteren en drogen.	Reinig na elk gebruik
Buitenoppervlak	Veeg schoon met een schone, vochtige doek met zeep en water, spoelen, desinfecteren en drogen. Gebruik geen waterstraal.	Twee keer per week
Planetaire as	Veeg schoon met een schone, vochtige doek met zeep en water, spoelen, desinfecteren en drogen.	Reinig na elk gebruik

### Opslag

- Zorg er voordat u het apparaat opbergt altijd voor dat de stekker van het apparaat uit het stopcontact is getrokken en dat het apparaat volledig is afgekoeld.
- Berg het apparaat op een koele, schone en droge plek op.

## Problemen oplossen

Als het apparaat niet naar behoren functioneert, raadpleeg dan de onderstaande tabel voor een oplossing. Als u het probleem nog steeds niet kunt oplossen, neem contact op met de leverancier/dienstverlener. **NIET** zelf repareren.

Probleem	Mogelijke oorzaak	Mogelijke oplossing
Apparaat start niet	Beschermdeksel kom (5) is niet juist gesloten.	Draai het beschermdeksel van de kom (5) naar rechts tot deze volledig en goed is gesloten.
	De kom (2) is niet opgetild en staat niet op de juiste plaats.	Til de kom (2) op en zet op juiste plaats met behulp van de hendel (9).
	De stekker is niet juist aangesloten.	Controleer of de stekker juist is aangesloten op het stopcontact.
Apparaat stopt tijdens gebruik	Interne beveiliging wordt geactiveerd om oververhitting te voorkomen.	Druk op de RODE "O" knop (8), trek de stekker uit het stopcontact, laat het apparaat volledig afkoelen, druk op de RESET-knop (10) op de achterkant.
	Schade of defecte transmissieriem	Neem contact op met leverancier
Apparaat maakt teveel lawaai	Apparaat is niet op een horizontale ondergrond geplaatst.	Verstel ondergrond of plaats op andere horizontale ondergrond.
	Kom (2) is niet juist geplaatst.	Zorg ervoor dat de kom (2) juist in de bevestiging van de kom (12) is geplaatst en dat de kom is vastgezet met de klemmen (3).
	Koppelstukken zijn niet juist bevestigd.	Verwijder en installeer de koppelstukken opnieuw op de juiste plaats.
	Kom is te vol.	Plaats minder ingrediënten in de kom.
	Beschadigde of versleten transmissieriem.	Neem contact op met leverancier
	Planetaire aandrijving moet worden gesmeerd.	
Koppelstukken kunnen niet eenvoudig op de planetaire as worden geïnstalleerd	Te weinig smeermiddel en / of reiniging planetaire as vereist.	Veeg planetaire as schoon met een schone, vochtige doek en smeer de as met minerale olie of vet.
De hendel voor het heffen / laten zakken van de kom (9) is niet eenvoudig te gebruiken	Te weinig smeermiddel op de komgeleiders.	Smeer komgeleiders met minerale olie of vet.

NL

## Technische specificaties

Itemnr.	222836	222966	222843	222973
Bedrijfsspanning en frequentie	220 – 240 V~ 50/60Hz			
Nominaal ingangsvermogen	600W		1100W	
Nettogewicht (ca.)	53kg		78kg	
Beschermingsklasse	Klasse I			
Beschermingsklasse waterdichtheid	IP21			
Draaisnelheid (tpm)	Deeghaak	148		197
	Klopper	244		317
	Garde	480		462
Maximale capaciteit kom	10L		20L	
Maximale hoeveelheid bloemmengsel	2,5 kg		5,0 kg	
Max geluidsniveau	< 70 dB (A)			
Buitenafmetingen	480 x 400 x (H) 630mm		560 x 500 x (H) 880mm	

**Opmerking:** Technische specificaties onderhevig aan verandering zonder voorafgaande kennisgeving



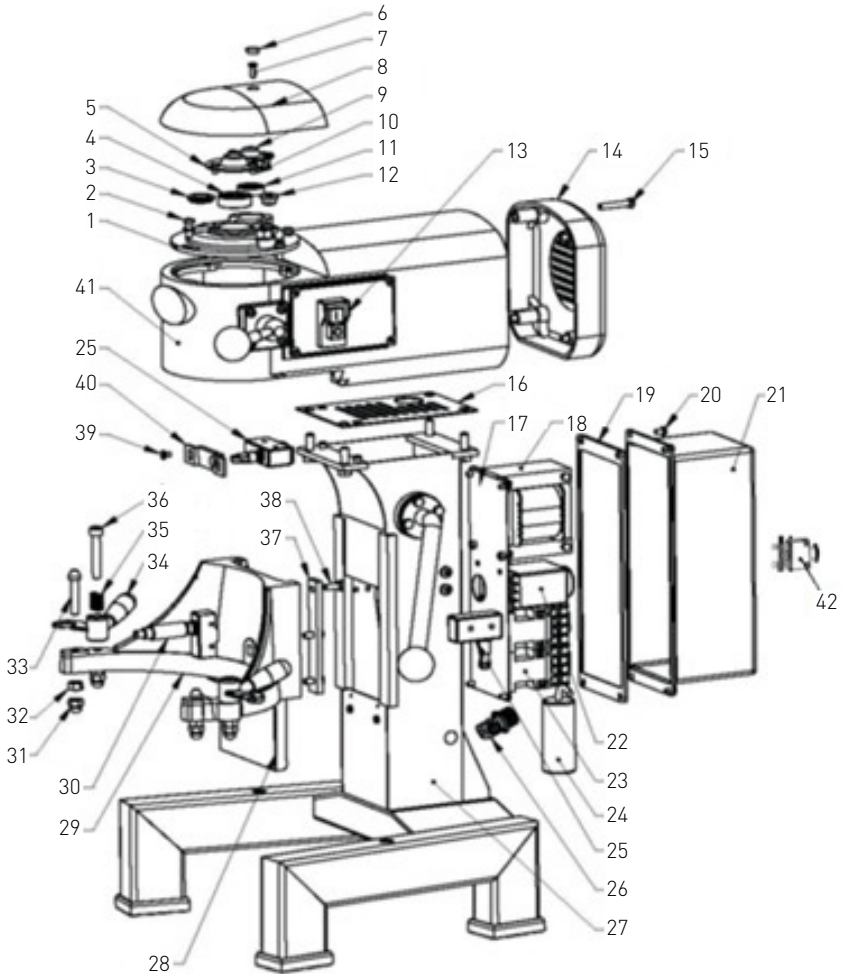
## Explosietekening en onderdelenlijst

**Attentie:** de explosietekening en onderdelenlijst bestaat uit de onderstaande onderdelen:

- Aandrijfsysteem aan bovenkant, bevestiging van de kom en voetstuk (Figuur 1);
- Asmontage (Figuur 2);
- Tandwielas (Figuur 3);
- Motor (Figuur 4);
- Mechanisme heffen kom (Figuur 5);
- Draaiplaat beschermdeksel kom en mengas (Figuur 6);
- Snelheidsregeling (Figuur 7)

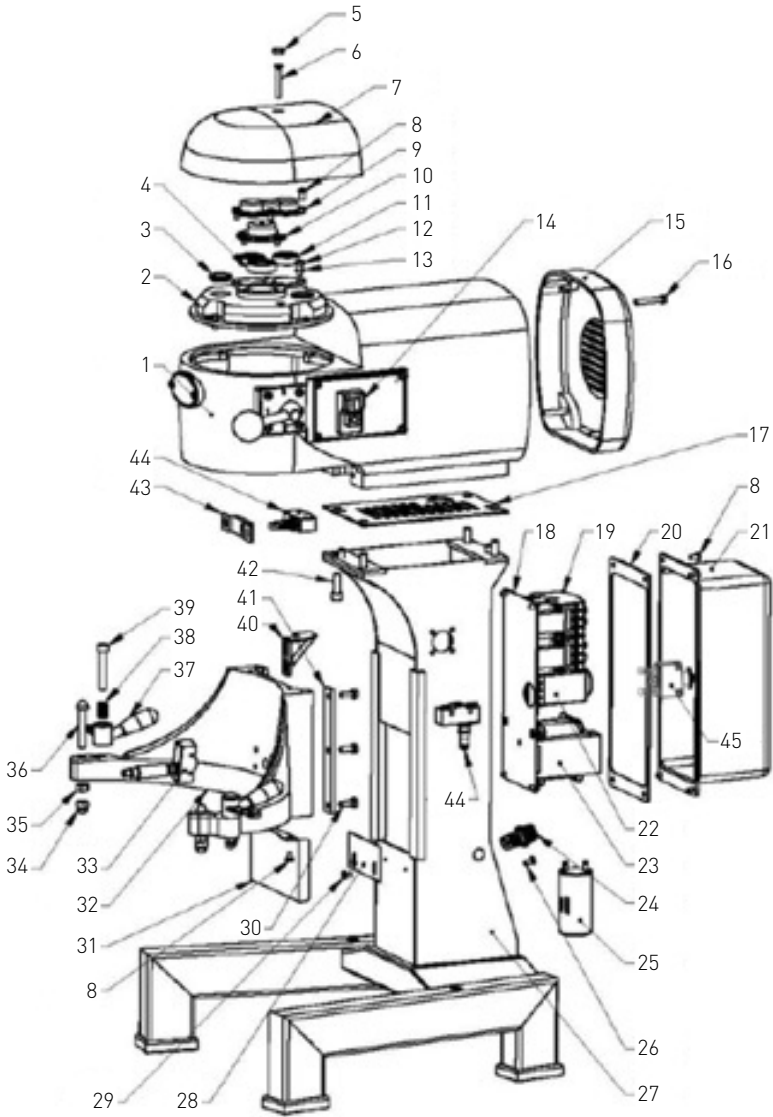
**Figuur 1: Aandrijfsysteem aan bovenkant, bevestiging van de kom en voetstuk**

222836/222966:



Onder-deel nr.	Naam onderdeel	Aantal	Onder-deel nr.	Naam onderdeel	Aantal
1	Lagerafdekking	1	22	Timerrelais	1
2	Schroef (M6X16)	4	23	Relais	2
3	Afdekking	1	24	Condensator	1
4	Lager 6202	1	25	Microschakelaar	3
5	Middenafdekking	1	26	Kabelknooppunt	1
6	Afdekking	2	27	Staande kolom	1
7	Schroef (M5X16)	1	28	Paneel van staande kolom	1
8	Bovenafdekking	1	29	Arm compleet	1
9	Afdekking	1	30	Huls (voor microschakelaar)	1
10	Schroef (M5X8)	5	31	Dopmoer (M8)	2
11	Lager 6001	1	32	Moer (M8)	4
12	Afdekking	1	33	Schroef van kom	2
13	Aan-/uitschakelaar	1	34	Vaste hendel	2
14	Achterafdekking	1	35	Veer van vaste hendel	2
15	Schroef (M6X35)	4	36	Schroef (M8X60)	2
16	Antimuisplaat	1	37	Platte klem	2
17	Elektrisch paneel	1	38	Schroef (M6X16)	6
18	Transformator	1	39	Schroef (M4X8)	2
19	Afdichtstrips voor schakelkast	1	40	Microschakelaarrek	2
20	Schroef (M5X8)	4	41	Behuizing	1
21	Elektriciteitskastje	1	42	Overbelaste schakelaar	1





NL

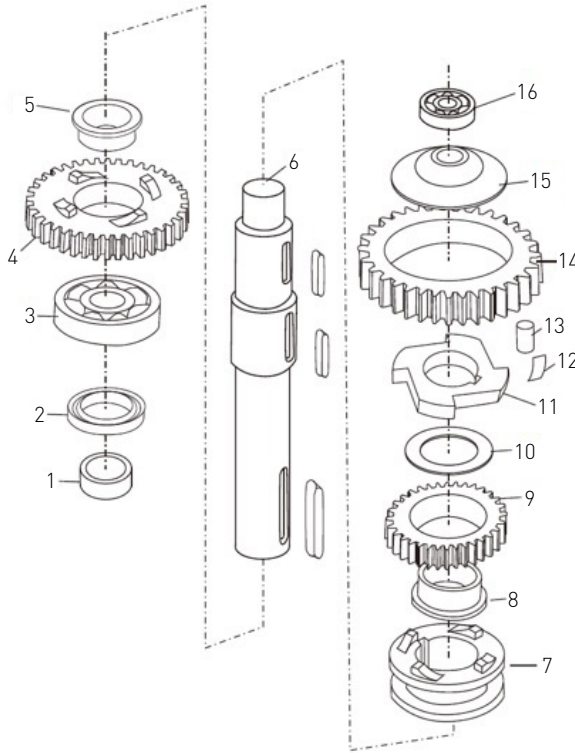


Onder-deel nr.	Naam onderdeel	Aantal	Onder-deel nr.	Naam onderdeel	Aantal
1	Behuizing	1	24	Kabelknooppunt	1
2	Lagerafdekking	1	25	Condensator	1
3	Afdekking	2	26	Koperen schroef (M5X12)	1
4	Lager (6003)	1	27	Staande kolom	1
5	Afdekking	3	28	Paneel van staande kolom	1
6	Schroef (M6X45)	1	29	Schroef (M4X8)	2
7	Bovenafdekking	1	30	Schroef (M6X16)	6
8	Schroef (M5X8)	7	31	Paneel van staande kolom	1
9	Afdekking	1	32	Arm	1
10	Middenafdekking	1	33	Huls (voor microschakelaar)	1
11	Lager (6201)	2	34	Dopmoer (M8)	2
12	Schroef (M6X14)	4	35	Moer (M8)	2
13	Veerring 6	4	36	Schroef van kom	2
14	Aan-/uitschakelaar	1	37	Vaste hendel	2
15	Achterafdekking	1	38	Veer van vaste hendel	2
16	Schroef (M6X35)	4	39	Schroef (M8X60)	2
17	Antimuisplaat	1	40	Plastic blok	1
18	Elektrisch paneel	1	41	Platte klem	2
19	Relais	2	42	Schroef (M8X25)	4
20	Afdichtstrips voor schakelkast	1	43	Microschakelaarrek	1
21	Elektriciteitskastje	1	44	Microschakelaar	2
22	Timerrelais	1	45	Overbelaste schakelaar	1
23	Transformator	1			

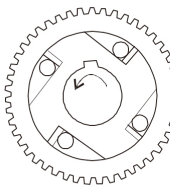


## Figuur 2: Asmontage

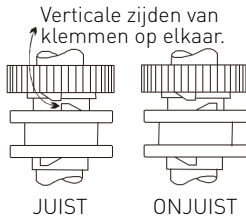
222836/222966:



NL



Figuur 2-1



Figuur 2-2

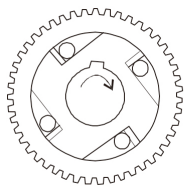
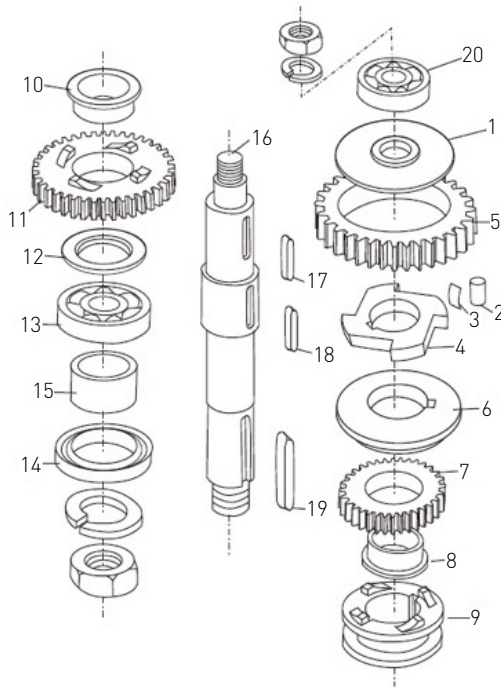
### Opmerking:

1. Zorg ervoor dat alles op de juiste plaats wordt geïnstalleerd en smeer alle pennen in figuur 2-1.
2. Controleer of olieafdichting goed werkt na hermontage.

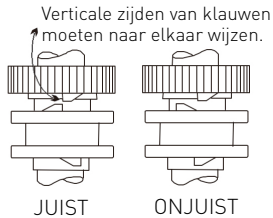
Onderdeel nr .	Naam onderdeel	Aantal
1	Afdekking	1
2	Askeerring	1
3	Lager (6204)	1
4	Koppeltandwiel	1
5	Lager	1
6	Middenas	1
7	Koppelmechanisme	1
8	Lager	1
9	Klein tandwiel	1
10	Scheidingsring	1
11	Actuator	1
12	Veer	1
13	Roller	1
14	Groot tandwiel	1
15	Afdekking	1
16	Lager (6001)	1







Figuur 2-1



Figuur 2-2

**Opmerking:**

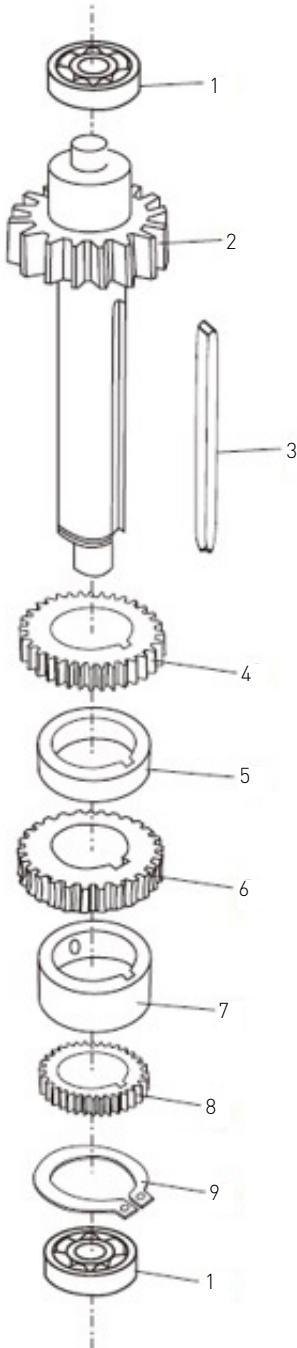
1. Zorg ervoor dat alles op de juiste plaats wordt geïnstalleerd en smeer alle pennen in figuur 2-1.
2. Controleer of olieafdichting goed werkt na hermontage.

Onderdeel nr .	Naam onderdeel	Aantal
1	Afdekking	1
2	Roller	1
3	Veer	1
4	Actuator	1
5	Tandwiel	1
6	Scheidingsring	1
7	Hogere versnelling	1
8	Lagerring	1
9	Koppelingring	1
10	Lagerring	1
11	Lagere versnelling	1
12	Ring	1
13	Lager (6205)	1
14	Askeerring (30X45X10)	1
15	Tussenstuk	1
16	Middenas	1
17	Stutel (6X14)	1
18	Stutel (5X35)	1
19	Stutel (6X30)	1
20	Lager (6003)	1



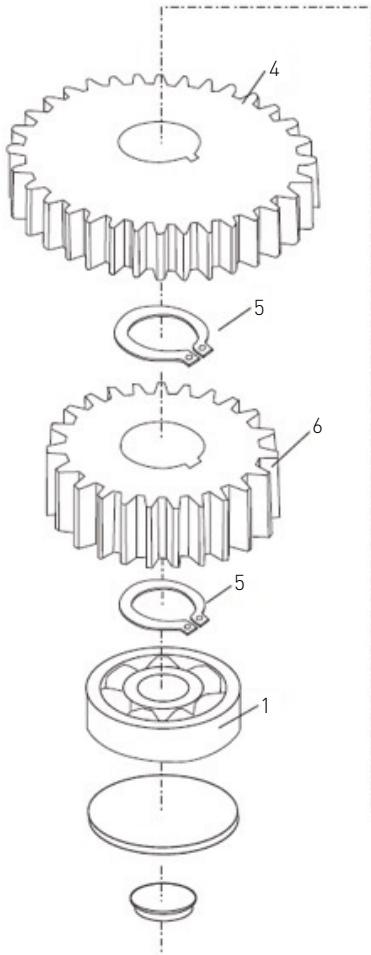
**Figuur 3: Tandwielas**

222836/222966:

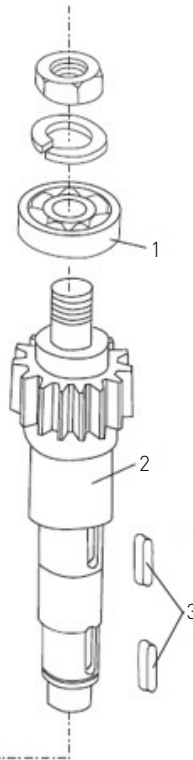


Onderdeel nr .	Naam onderdeel	Aantal
1	Lager (6001)	2
2	Versnellingsas	1
3	Steutel (5X58)	1
4	Topversnelling	1
5	Klein tussenstuk	1
6	Lagere versnelling	1
7	Groot tussenstuk	1
8	Onderversnelling	1
9	Snapping	1

Opmerking: Zorg ervoor dat de sleutels allemaal in elk tandwiel zijn gestoken.



As met dubbele versnelling



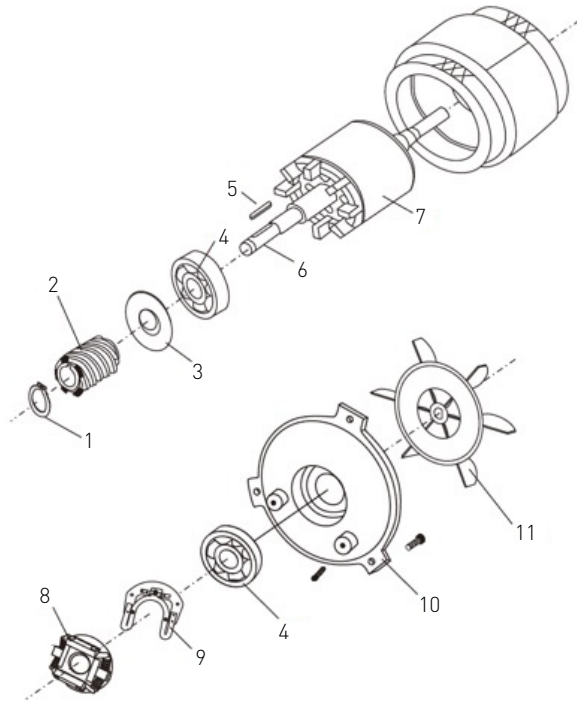
As met enkele versnelling

Onder-deel nr.	Naam onderdeel	Aantal	Onder-deel nr.	Naam onderdeel	Aantal
1	Lager (6201)	4	6	Lagere versnelling	1
2	As met dubbele versnelling	1	7	As met enkele versnelling	1
3	Sleutel (5X11)	2	8	Sleutel (5X14)	1
4	Hogere versnelling	1	9	Versnelling	1
5	Snapping	3			

Opmerking: Zorg ervoor dat de sleutels allemaal in elk tandwiel zijn gestoken.



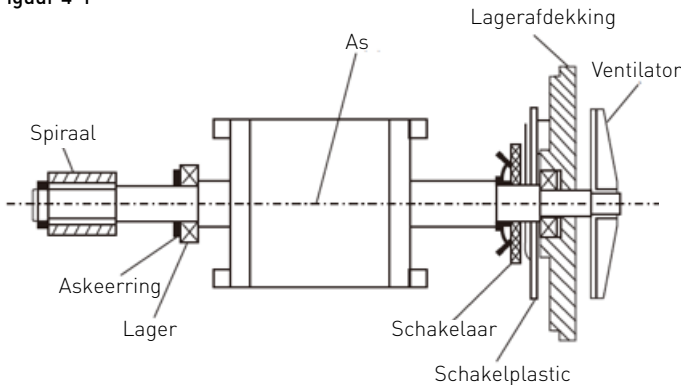
Figuur 4: Motor



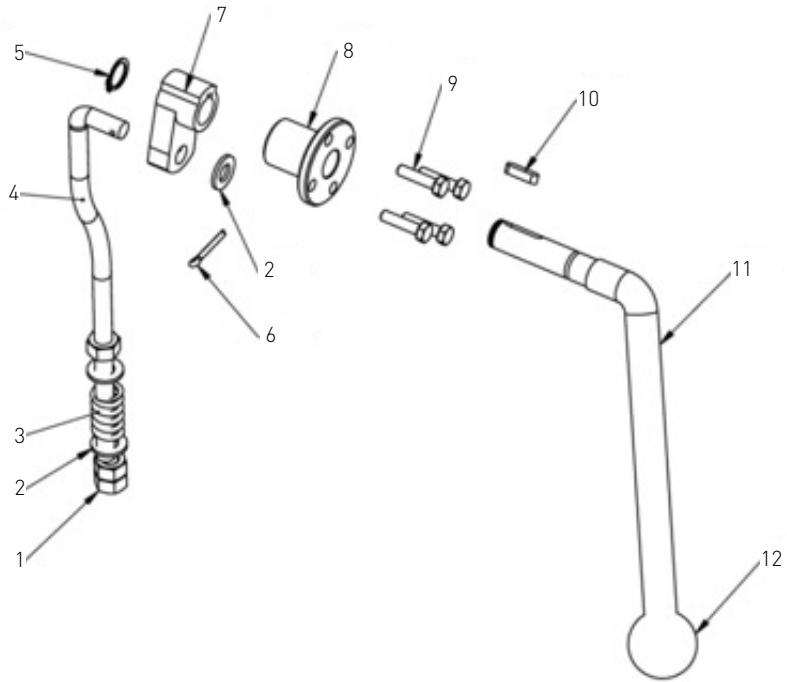
NL

Onder-deel nr.	Naam onderdeel	Aantal	Onder-deel nr.	Naam onderdeel	Aantal
1	Stopring (alleen 222843)	1	7	Rotor	1
2	Spiraal	2	8	Schakelaar	1
3	Askeerring	1	9	Plastic schakelplaat	1
4	Lager	1	10	Lagerafdekking	1
5	Sleutel (4x22)	1	11	Ventilator	1
6	As	1			

Figuur 4-1



Figuur 5: Mechanisme heffen kom

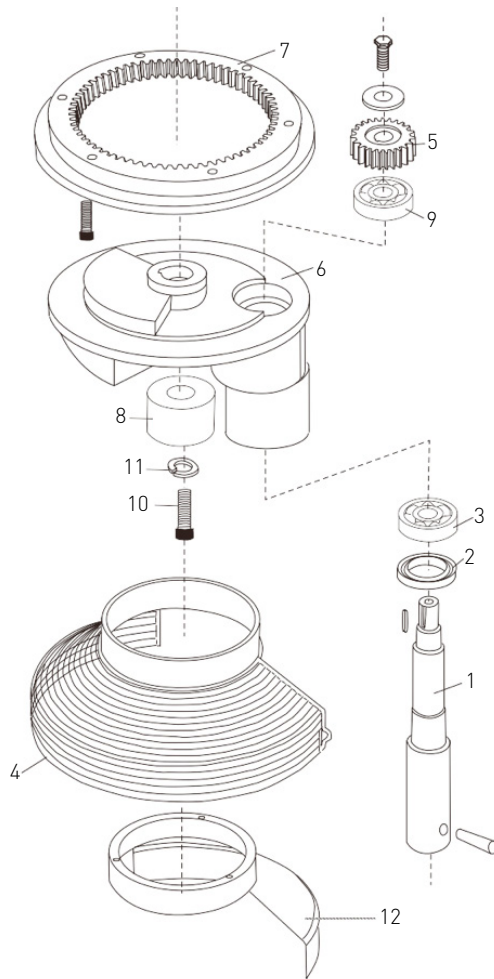


Onder-deel nr.	Naam onderdeel	Aantal	Onder-deel nr.	Naam onderdeel	Aantal
1	Moer (M10)	3	7	Aandrijfwiel	1
2	Platte ring	2	8	Flensknop	1
3	Armveer	1	9	Schroef (M6X25)	4
4	Hefstang	1	10	Sleutel (5x20)	1
5	Stopring	1	11	Hefhendel van kom	1
6	Splitpen	1	12	Plastic bal	1



## Figuur 6: Draaiplaat en mengas

222836/222966:

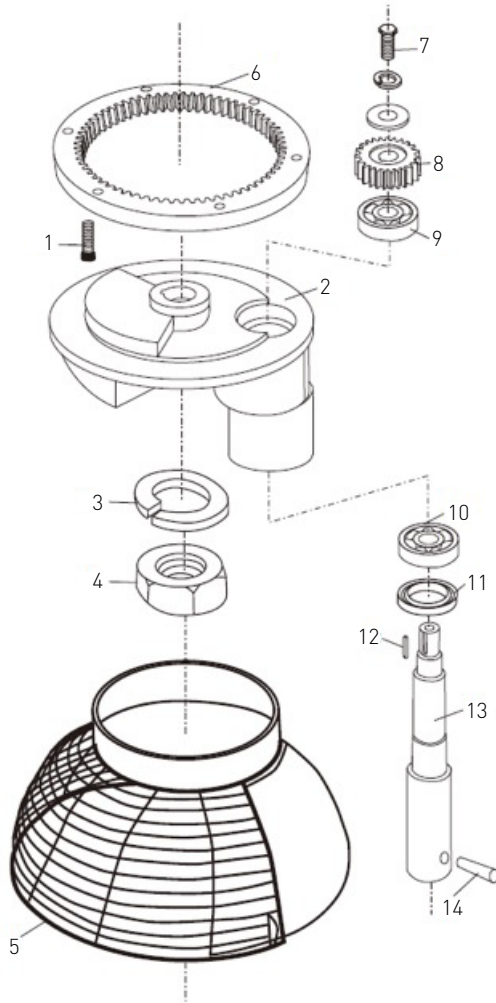


NL

Onder-deel nr.	Naam onderdeel	Aantal	Onder-deel nr.	Naam onderdeel	Aantal
1	As voor mixen	1	7	Binnentandwiel	1
2	Askeerring [20X40X10]	1	8	Afdekking	1
3	Lager	1	9	Lager	1
4	Kombescherming	1	10	Schroef (M8X20)	1
5	Planetaire reductor	1	11	Veerring	1
6	Draaiplaat	1	12	Achterafdekking van kombescherming	1



222843/222973:

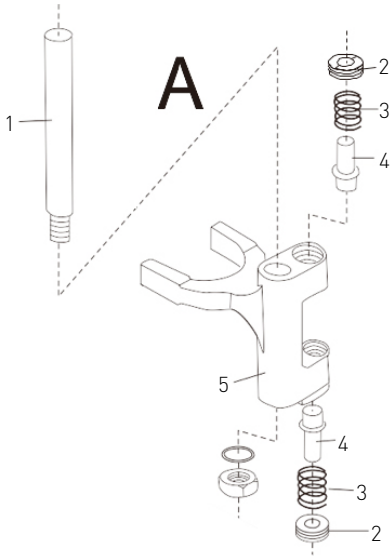


Onder-deel nr.	Naam onderdeel	Aantal	Onder-deel nr.	Naam onderdeel	Aantal
1	Schroef (M6X25)	1	8	Planetaire reductor	1
2	Draaiplaat	1	9	Lager (6203)	1
3	Veerring	1	10	Lager (6204)	1
4	Moer (M18)	1	11	Askeerring (25X50X10)	1
5	Kombescherming	1	12	Sleutel (5X18)	1
6	Binnentandwiel	1	13	As voor mixen	1
7	Schroef (M8X15)	1	14	Pin	1

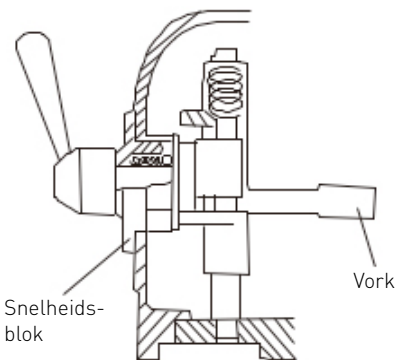
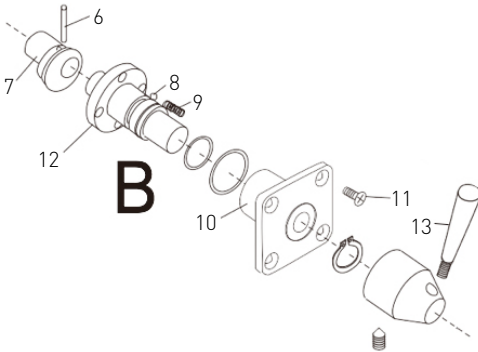
NL



Figuur 7: Snelheidsregeling



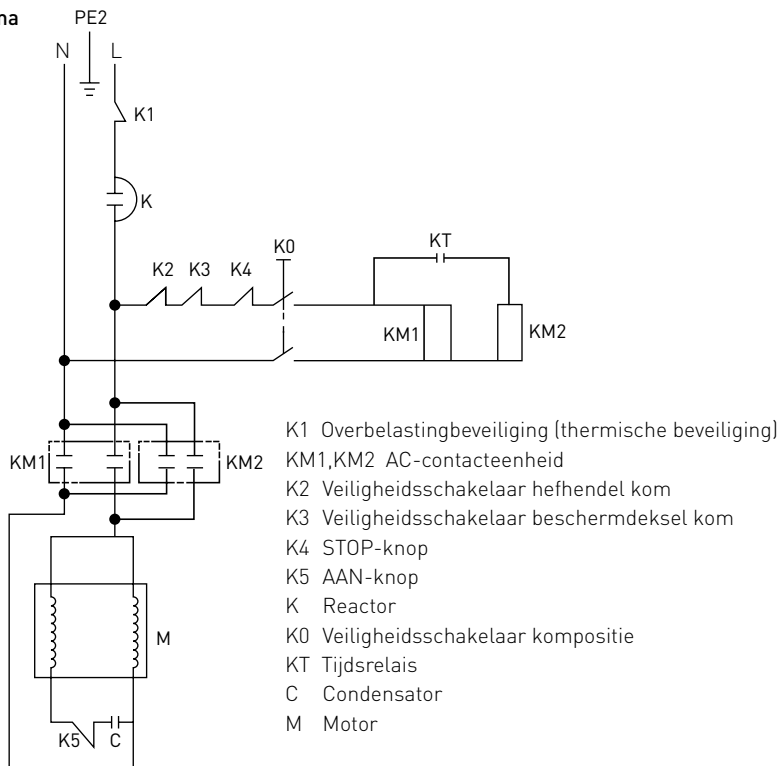
Onderdeel nr .	Naam onderdeel	Aantal	
A	1	Stang	1
	2	Moer	1
	3	Veer	1
	4	Schacht	1
	5	Vork	1
B	6	Pin (3X20)	1
	7	Knoop	1
	8	Stalen kogellager	3
	9	Veer	3
	10	Blokafdekking	1
	11	Schroef (M5X10)	1
	12	Schacht	1
	13	Hendel	1



NL



## Schakelschema



## Garantie

Elk defect waardoor de werking van het apparaat nadelig wordt beïnvloed dat zich binnen één jaar na aankoop van het apparaat voordoet, wordt gratis hersteld door reparatie of vervanging, mits het apparaat conform de instructies is gebruikt en onderhouden en niet op enigerlei wijze verkeerd is behandeld of misbruikt. Dit laat onverlet uw bij wet bepaalde rechten. Als de garantie van kracht is, vermeld dan waar en wanneer u het apparaat

hebt gekocht en sluit een aankoopbewijs bij (bijv. kassabon of factuur).

Gezien ons streven naar voortdurende verdere productontwikkeling behouden wij ons het recht voor, zonder voorafgaande kennisgeving wijzigingen aan te brengen aan product, verpakking en documentatie.

## Verwijdering & milieu


Bij de buitengebruikstelling van het apparaat, mag het niet met het overige huisafval worden verwijderd. In plaats daarvan is het uw verantwoordelijkheid om uw afgedankte apparatuur in te leveren bij een daartoe aangewezen inzamelpunt. Het niet opvolgen van deze regel kan worden bestraft in overeenstemming met de geldende voorschriften voor afvalverwerking. De gescheiden inzameling en recycling van uw afgedankte apparatuur ten tijde van buitengebruikstelling helpt bij de instand-

houding van natuurlijke hulpbronnen en waarborgt dat de apparatuur wordt gerecycled op een manier die de volksgezondheid en het milieu beschermt. Voor meer informatie over waar u uw afval kunt inleveren voor recycling kunt u contact opnemen met uw lokale afvalverwerkingsbedrijf. De fabrikant en importeurs nemen geen verantwoordelijkheid voor de recycling, behandeling en ecologische verwijdering, hetzij rechtstreeks of via een openbaar systeem.




Dziękujemy za zakup urządzenia firmy Hendi. Prosimy o uważne zapoznanie się z niniejszą instrukcją przed podłączeniem urządzenia, aby uniknąć uszkodzeń spowodowanych niewłaściwą obsługą. Należy zwrócić szczególną uwagę na zasady bezpieczeństwa.

## Zasady bezpieczeństwa

- Nieprawidłowa obsługa i niewłaściwe użytkowanie mogą spowodować poważne uszkodzenie urządzenia lub zranienie osób.
- Urządzenie nie jest przeznaczone do użytku domowego.
- Urządzenie należy stosować wyłącznie zgodnie z przeznaczeniem. Producent nie ponosi żadnej odpowiedzialności za szkody spowodowane nieprawidłową obsługą i niewłaściwym użytkowaniem urządzenia.
- W czasie użytkowania zabezpiecz urządzenie i wtyczkę kabla zasilającego przed kontaktem z wodą lub innymi płynami. W mało prawdopodobnym przypadku zanurzenia urządzenia w wodzie, należy natychmiast wyciągnąć wtyczkę z kontaktu, a następnie zlecić kontrolę urządzenia specjalście. Nieprzestrzeganie tej instrukcji może spowodować zagrożenie życia.
- Nigdy nie otwieraj samodzielnie obudowy urządzenia.
- Nie wtykaj żadnych przedmiotów w obudowę urządzenia.
- Nie dotykaj wtyczki kabla zasilającego wilgotnymi rękami.
-  **Niebezpieczeństwo porażenia prądem!** Nie należy samodzielnie naprawiać urządzenia. Wszelkie usterki i niesprawności winny być usuwane wyłącznie przez wykwalifikowany personel.
- **Nigdy nie używać uszkodzonego urządzenia!** Uszkodzone urządzenie należy odłączyć od sieci i skontaktować się ze sprzedawcą.
- **Ostrzeżenie:** Nie zanurzać części elektrycznych urządzenia w wodzie ani w innych płynach. Nie wkładać urządzenia pod bieżącą wodę.
- Regularnie sprawdzać wtyczkę i sznur zasilający pod kątem uszkodzeń. Uszkodzoną wtyczkę lub sznur przekazać w celu naprawy do punktu serwisowego lub innej wykwalifikowanej osoby, aby zapobiec ewentualnym zagrożeniom i obrażeniom ciała.
- Upewnić się, czy sznur zasilający nie styka się z ostrymi ani gorącymi przedmiotami; trzymać sznur z dala od otwartego płomienia. Aby wyjąć wtyczkę z gniazdka, zawsze ciągnąć za wtyczkę, a nie za sznur.
- Zabezpieczyć sznur zasilający (lub przedłużający) przez przypadkowym wyciągnięciem z kontaktu. Sznur prowadzić w sposób uniemożliwiający przypadkowe potknięcie.
- Stałe nadzorować urządzenie podczas użytkowania.
- **Ostrzeżenie!** Jeżeli wtyczka jest włożona do gniazdka, urządzenie należy uważać za podłączone do zasilania.
- Przed wyjęciem wtyczki z gniazdka wyłączyć urządzenie!
- Nigdy nie przenosić urządzenia, trzymając za sznur.
- Nie używać żadnych akcesoriów, które nie zostały dostarczone wraz z urządzeniem.

- Urządzenie należy podłączać wyłącznie do gniazdka o napięciu i częstotliwości podanych na tabliczce znamionowej.
- Włożyć wtyczkę do gniazdka zlokalizowanego w dogodnym i łatwo dostępnym miejscu, tak by w przypadku awarii istniała możliwość natychmiastowego odłączenia urządzenia. W celu całkowitego wyłączenia urządzenia odłączyć je od źródła zasilania. W tym celu wyjąć z gniazdka wtyczkę znajdującą się na końcu sznura odłączanego urządzenia.
- Przed odłączeniem wtyczki zawsze pamiętać o wyłączeniu urządzenia!
- Nie korzystać z akcesoriów niezalecanych przez producenta. Zastosowanie niezalecanych akcesoriów może stwarzać zagrożenie dla użytkownika oraz prowadzić do uszkodzenia urządzenia. Korzystać wyłącznie z oryginalnych części i akcesoriów.
- Z urządzenia nie mogą korzystać osoby (także dzieci), u których stwierdzono osłabione zdolności fizyczne, sensoryczne lub umysłowe, albo którym brakuje odpowiedniej wiedzy i doświadczenia.
- W żadnym wypadku nie zezwalać na obsługę urządzenia przez dzieci.
- Urządzenie wraz ze sznurem przechowywać poza zasięgiem dzieci.
- Nie dopuścić, by dzieci wykorzystywały urządzenie do zabawy.
- Zawsze odłączyć urządzenie od zasilania, jeżeli ma być ono pozostawione bez nadzoru, a także przed montażem, demontażem i czyszczeniem.
- Nie zostawiać urządzenia bez nadzoru podczas użytkowania.

## Szczególne przepisy bezpieczeństwa

- Korzystaj z urządzenia wyłącznie zgodnie z instrukcją.
- Urządzenie powinno zostać zamontowane i być obsługiwane wyłącznie przez wykwalifikowany personel kuchenny w punktach przemysłu spożywczego, np. świadczących usługi cateringowe, piekarniach, pizzeriach, cukierniach itp.
- Wszelkie czynności konserwacyjne i montażowe oraz naprawa urządzenia powinna zostać przeprowadzana przez wykwalifikowanych, upoważnionych techników.
-  Z tyłu urządzenia znajduje się gniazdo ekwipotencjalne umożliwiające podłączenie krzyżowe do innego urządzenia.
- Nie umieszczaj urządzenia na obiekcie emitującym ciepło (kuchenka gazowa, elektryczna, grill, itp.). Trzymaj urządzenie z dala od jakichkolwiek gorących powierzchni lub otwartego płomienia. Ustaw urządzenie na równej, stabilnej, czystej i suchej powierzchni, odpornej na działanie wysokich temperatur.
- Nie używaj urządzenia w pobliżu materiałów wybuchowych lub łatwopalnych, kart płatniczych, dysków magnetycznych lub radioodbiorników.
- Jeśli to konieczne, podczas obsługi urządzenia załóż odzież ochronną, maskę lub okulary ochronne.
- Urządzenie nie jest przystosowane do obsługi za pomocą zewnętrznego minutnika lub oddzielnego systemu zdalnego sterowania.
- Nigdy nie manipuluj przy blokadach bezpieczeństwa.
- **OSTRZEŻENIE:** Nie zastanij otworów wentylacyjnych urządzenia.



- **OSTRZEŻENIE: ZAWSZE** pamiętaj o wyłączeniu i odłączeniu urządzenia od źródła zasilania przed czyszczeniem, konserwacją lub wymianą akcesoriów.
- Zapewnij co najmniej 30-centymetrowe odstępstwa wokół urządzenia w celu umożliwienia prawidłowej wentylacji.
- **Uwaga!** Odpowiednio poprowadź i zabezpiecz przewód zasilający, aby zapobiec przypadkowemu pociągnięciu lub kontaktowi z płytą grzewczą.
- **OSTRZEŻENIE! ZAWSZE** pamiętaj, by nie nosić luźnej odzieży i nie dotykać ruchomych części urządzenia rękoma oraz by związać włosy.
- Podczas pracy urządzenia nie wkładaj rąk pod ostonę ani do miski.
- Nie wkładaj do miski zbyt dużych ilości składników, aby zapobiec przelaniu się zawartości. Miska mieści maksymalnie 10 litrów (model 222836, 222966) lub 20 litrów (model 222843, 222973).
- Nie myj urządzenia wodą lub za pomocą silnego strumienia. Mycie urządzenia wodą może spowodować jej przedostanie się do części elektrycznych i doprowadzić do porażenia prądem. Części urządzenia nie mogą być myte w zmywarce.
- Nie czyść ani nie umieszczaj urządzenia w miejscu przechowywania, zanim całkowicie nie ostygnie.
- Należy zachować szczególną ostrożność podczas przenoszenia urządzenia ze względu na jego ciężar. Urządzenie powinno być przenoszone przez 2 osoby lub przemieszczane za pomocą wózka. Przenoś urządzenie powoli i ostrożnie, nie przechylając go bardziej niż pod kątem 45°.

PL

### Przeznaczenie

- Urządzenie przeznaczone do użytku profesjonalnego, obsługa tylko przez wykwalifikowany personel.
- Urządzenie przeznaczone jest do użytku komercyjnego i służy do miksowania, zagniatania i emulgowania/ubijania produktów żywnościowych w punktach przemysłu spożywczego i w sklepach. Użycie urządzenia w jakimkolwiek innym celu może prowadzić do jego uszkodzenia lub do obrażeń ciała.
- Wykorzystanie urządzenia w jakimkolwiek innym celu uznane będzie za wykorzystanie niezgodne z przeznaczeniem. Użytkownik będzie wyłącznie odpowiedzialny za nieprawidłowe wykorzystanie urządzenia.

### Montaż uziemienia

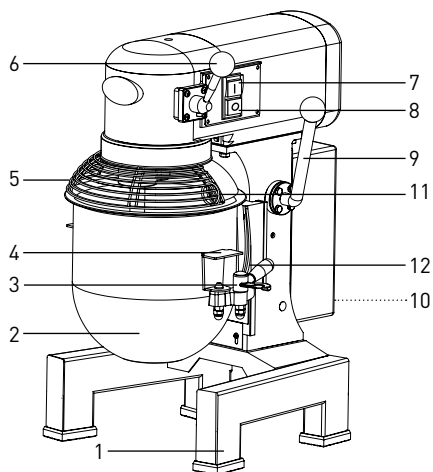
Mikser jest urządzeniem I klasy ochronności i wymaga uziemienia. Uziemienie zmniejsza ryzyko porażenia prądem, dzięki zastosowaniu przewodu odprowadzającego prąd elektryczny. Urządzenie

wyposażone jest w przewód z uziemieniem z wtykiem uziemiającym. Wtyczka musi zostać podłączona do gniazdka sieciowego, które zostało odpowiednio zamontowane i uziemione.

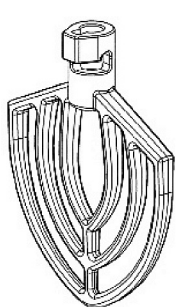


## Główne części urządzenia

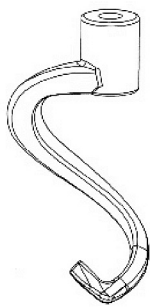
1. Stabilny wspornik urządzenia
2. Misa
3. Zaciski misy (x 2)
4. Uchwyty misy (x 2)
5. Ostona misy
6. Pokręto prędkości  
(3 ustawienia prędkości dla 3 akcesoriów)
7. Włącznik (przycisk ZIELONY, I)
8. Wyłącznik (przycisk czerwony, 0)
9. Dźwignia podnoszenia / opuszczania misy
10. Przycisk RESET (z tyłu urządzenia)
11. Uchwyt ostony misy
12. Wspornik misy



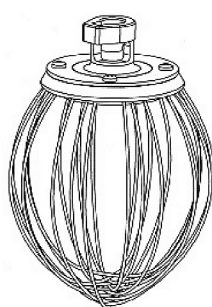
## Akcesoria



Mieszadło płaskie



Hak do wyrabiania  
ciasta



Różga

## Przed montażem

- Ostrożnie odkręć śruby przytwierdzające urządzenie do elementu wsporczego, jeśli to konieczne - przy pomocy klucza francuskiego.
- Zdejmij i usuń opakowanie oraz zabezpieczenia.
- Sprawdź urządzenie pod kątem kompletności oraz ewentualnych uszkodzeń podczas transportu. W przypadku niekompletnej dostawy (np. braku akcesoriów) lub uszkodzeń urządzenia, natychmiast skontaktuj się z dostawcą. W takim

przypadku NIE korzystaj z urządzenia. (Patrz ==> Gwarancja).

- Wyczyść urządzenie oraz akcesoria (patrz ==> Czyszczenie i konserwacja).
- Sprawdź, czy urządzenie jest całkowicie suche.
- Zachowaj opakowanie w celu przechowania urządzenia, jeśli nie jest używane przez dłuższy okres czasu.



## Montaż

- Uważnie zapoznaj się z treścią instrukcji przed montażem i korzystaniem z urządzenia.
- Upewnij się, że urządzenie zostało umieszczone na suchej powierzchni o odpowiedniej wytrzymałości, w miejscu, które umożliwia łatwy dostęp do urządzenia.
- Upewnij się, czy specyfikacja urządzenia na tabliczce znamionowej odpowiada parametrom gniazdka elektrycznego, do którego ma być podłączone urządzenie.
- Aby umożliwić operatorowi pracę, wokół urządzenia musi być zachowana odpowiednia przestrzeń. Wokół urządzenia nie mogą znajdować się żadne przedmioty, takie jak obieraczkki, noże itp.
- Podczas pracy z urządzeniem nie nosź luźnej odzieży, np. szalików itp., zwiąż włosy i nie zbliżaj żadnej części ciała do ruchomych elementów urządzenia.

**UWAGA!** Nigdy nie odłączaj przetęcznika bezpieczeństwa.

## Transport i obsługa urządzenia

- Nie przenoś urządzenia podczas jego pracy.
- Jeśli chcesz przenieść urządzenie w inne miejsce, najpierw odłącz wtyczkę z gniazdka, wyjmij misę [2], odłącz akcesoria (różgę, mieszadło ptasie lub hak do mieszania ciasta).
- Przenoś urządzenie trzymając za stabilny wspornik [1].
- Ze względu na swój ciężar, urządzenie powinno być przenoszone przez 2 osoby lub przemieszczane za pomocą wózka.

## Szczególne zabezpieczenia

**Uwaga:** Urządzenie wyposażone jest w 3 główne elementy zabezpieczające. Urządzenie może zostać uruchomione jedynie, gdy wszystkie elementy zabezpieczające znajdują się we właściwych pozycjach.

- Zabezpieczenie misy: Urządzenie może zostać uruchomione dopiero, gdy misa [2] została prawidłowo umieszczona na wsporniku.
  - Zabezpieczenie ostony misy [5]: Urządzenie może zostać uruchomione dopiero, gdy ostona misy [5] została prawidłowo zablokowana.
  - Zabezpieczenie dźwigni podnoszącej /opuszczającej misę [9]: Urządzenie może zostać uruchomione dopiero, gdy dźwignia [9] znajduje się w pozycji górnej.
- Podczas pracy z urządzeniem nie nosź luźnej odzieży, np. szalików itp., zwiąż włosy i nie zbliżaj żadnej części ciała do ruchomych elementów urządzenia.

## Obsługa

**Aby uniknąć poważnych obrażeń ciała:**

- **IGDY NIE** obsługuj urządzenia przed zapoznaniem się z niniejszą instrukcją.
- **ZAWSZE** pamiętaj o wyłączeniu (poprzez wciśnięcie CZERWONEGO przycisku „0” [8]) i odłączeniu od źródła zasilania przed czyszczeniem, konserwacją, naprawą lub wymianą akcesoriów.
- **ZAWSZE** pamiętaj, by nie nosić luźnej odzieży i nie dotykać ruchomych części urządzenia rękoma oraz by związać włosy.

### a) Ostona misy

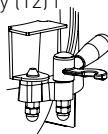
**Uwaga:** Jeśli ostona misy [5] jest otwarta, nie została prawidłowo zamocowana i zamknięta, urządzenie nie uruchomi się.

1. Aby otworzyć ostonę misy [5], chwyć uchwyt ostony [11] i obróć zgodnie z ruchem wskazówek zegara. Aby zamknąć ostonę misy [5], chwyć uchwyt ostony [11] i obróć przeciwnie do ruchu wskazówek zegara.
2. Kiedy uchwyt ostony misy [11] przebiega równo z prawą stroną urządzenia, ostona misy [5] znajduje się we właściwej pozycji i można rozpocząć pracę

## b) Zamontuj misę (2) urządzenia

Uwaga: Zamontuj misę (2) urządzenia PRZED zamocowaniem akcesoriów. Używaj wyłącznie misy (2) dostarczonej wraz z urządzeniem.

1. Opuść wspornik misy (2) za pomocą dźwigni (9), kierując ją w dół, aż misa zatrzyma się. Wspornik misy (12) powinien znajdować się w położeniu dolnym.
2. Ostrożnie i powoli umieść misę (2) na wsporniku za pomocą uchwytów (4) znajdujących się po obu stronach, a następnie
  - i) Umieść trzpień blokujący w otworze znajdującym się w połowie wspornika misy (12) i
  - ii) Zabezpiecz misę (2), pociągając zaciski misy (3) do góry do momentu zablokowania misy (2).



## c) Zamocuj odpowiednie akcesoria (mieszadło płaskie, hak do wyrabiania ciasta lub różgę)

Uwaga: Wygodniej będzie zamontować akcesoria przed umieszczeniem w misie (2) składników.

1. Delikatnie przekręć ostonę misy (5) za pomocą uchwytu ostony misy zgodnie z ruchem wskazówek zegara, by przesunąć ją do pozycji otwartej.
2. **UWAGA!** Użycie zbyt dużej siły przy otwieraniu lub zamykaniu ostony misy (5) może uszkodzić mikroprzetątnik elementu zabezpieczającego. Zachowaj ostrożność podczas otwierania lub zamykania ostony misy (5).
3. Powoli wsuń akcesoria (mieszadło płaskie, hak do wyrabiania ciasta lub różgę) do watu miksera planetarnego, wsuwając sworzeń watu przez otwór w akcesorium.
4. Obróć akcesorium, by zablokować je w wale miksera planetarnego.

## d) Wlewanie i mieszanie składników

Uwaga: Postępuj zgodnie z zamieszczoną w niniejszej instrukcji tabelą określającą maksymalną ilość składników, odpowiadającą pojemności misy. Zapętnienie misy powyżej jej pojemności może spowodować wyciek i w efekcie uszkodzenie urządzenia.

**WAŻNE INFORMACJE:** Upewnij się, że pokrętło regulacji prędkości (6) ustawione jest w pozycji „Hak do wyrabiania ciasta”

1. Umieść odpowiednie składniki w misie (2).
2. Przesuń dźwignię podnoszenia/opuszczania misy (9) do góry, aż misa (2) znajdzie się we właściwej pozycji.
3. Obróć ostonę misy (5) przeciwnie do ruchu wskazówek zegara, aż się zablokuje.

**Uwaga:** Urządzenie nie uruchomi się, jeśli ostona misy (5) jest otwarta / nie została prawidłowo zablokowana lub misa (2) znajduje się w pozycji dolnej.

## e) Ustaw prędkość, włóż akcesorium i uruchom urządzenie

1. Następnie wybierz odpowiednią prędkość mieszania za pomocą pokrętła regulacji prędkości (6). Do wyboru są trzy prędkości do różnych akcesoriów:

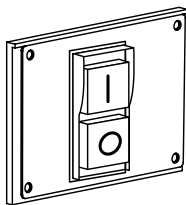
**WAŻNE INFORMACJE: ZAWSZE** używaj zalecanego akcesorium oraz ustawienia prędkości zgodnie z tabelą pojemności oraz zalecenia znajdującego się obok pokrętła regulacji prędkości (6).

**UWAGA:** Podczas przesypywania składników do misy (2) uważaj na pył i mąkę wydobywającą się z otwartych opakowań. Jeśli to konieczne, włóż okulary ochronne.

Prędkość mieszania	Rodzaj składnika
Hak do wyrabiania ciasta (niska)	Ciężki: Mieszanie ciasta na pizzę, chleb, makaron
Mieszadło płaskie (średnia)	Średnio ciężki: Drugi stopień mieszania np. na ciasto na wypieki itp.
Różga (wysoka)	Lekki: Ubijanie śmietany, białek, bezy.



2. Następnie wciśnij **ZIELONY** włącznik „I” (7), aby **włączyć** urządzenie. Wciśnij **CZERWONY** wyłącznik „0” (8) by **ZATRZYMAĆ** pracę urządzenia. Urządzenie rozpocznie mieszanie w kierunku zgodnym z ruchem wskazówek zegara w przypadku modelu 222843 i przeciwnie do ruchu wskazówek zegara w przypadku modelu 222836.



3. **UWAGA!** Przed zmianą prędkości **ZAWSZE** najpierw zatrzymaj urządzenie. Zmiana prędkości bez wcześniejszego zatrzymania urządzenia może uszkodzić konstrukcję wewnętrzną urządzenia.
4. Aby zmienić prędkość podczas pracy:
- Wciśnij **CZERWONY** wyłącznik „0” (8), aby **zatrzymać** pracę urządzenia.
  - Odtłącz wtyczkę z gniazdka i wymień akcesorium [Patrz ==> część c].
  - Wybierz odpowiednią prędkość mieszania za pomocą pokrętła regulacji prędkości (6) dla odpowiedniego akcesorium.
  - Wciśnij **ZIELONY** przycisk „I” (7), aby zrestartować urządzenie.

### Zresetuj bezpiecznik termiczny (zabezpieczenie przed przegrzaniem)

Należy pamiętać, że przycisk RESET bezpiecznika termicznego (10) znajduje się w tylnej części urządzenia.

- Najpierw odtłącz urządzenie od źródła zasilania.
- Pozostaw urządzenie do całkowitego ostygnięcia.

- Naciśnij przycisk RESET (10) bezpiecznika termicznego (zabezpieczenie przed przegrzaniem).
- Następnie, ponownie podłącz urządzenie do źródła zasilania i włącz.

### Tabela pojemności, określająca maksymalną ilość składników

Poniższa tabela ma charakter referencyjny i określa maksymalną ilość składników, jaką można użyć do przyrządzenia różnego rodzaju potraw. Istnieje

wiele czynników zmiennych, np. typ wykorzystanej mąki, temperatura wody itp.

Product	Akcesorium	Maksymalna ilość			
		222836	222966	222843	222973
Egg white	Różga	1,0 kg		1,5 kg	
Mashed potato	Mieszadło płaskie	2,0 kg		2,5 kg	
Meringue (Qty of water)	Różga	1,5 litra		2,0 litra	
Waffle or pancake batter	Mieszadło płaskie	2,5 litra		3,0 litra	
Whipped cream	Różga	3,5 litra		4,0 litra	
Ciasto na pizzę (Średniej gęstości, 50% wody)	Hak do wyrabiania ciasta	2,0 kg		2,5 kg	
Ciasto na pizzę (Gęste, 60% wody)	Hak do wyrabiania ciasta	2,5 kg		3,0 kg	
Biszkopt	Różga	1,5 kg		2,0 kg	
Ciasto na placek	Mieszadło płaskie	2,0 kg		2,5 kg	
Ciasto na chleb lub bułki (Lekkie/Średniej gęstości, 60% wody)	Hak do wyrabiania ciasta	Woda 1,5 kg / Mąka 2,5 kg		Woda 3,0 kg / Mąka 5,0 kg	





## Czyszczenie i konserwacja

**Uwaga:** Przed rozpoczęciem czyszczenia, konserwacji, naprawy i umieszczeniem urządzenia w miejscu przechowywania, zawsze odłącz urządzenie od gniazdka sieciowego i odczekaj, aż ostygnie.

### Czyszczenie

- Przed czyszczeniem urządzenia zawsze odłącz akcesoria - w przeciwnym przypadku mogą zablokować się w wale i trudno będzie je wyjąć.
- Po każdym użyciu dokładnie wyczyść urządzenie i akcesoria oraz upewnij się, czy usunięte zostały wszystkie pozostałości jedzenia.
- Nigdy nie zanurzaj urządzenia w wodzie ani innych płynach.
- Powierzchnie urządzenia czyść przy pomocy wilgotnej ściereczki lub gąbki, z niewielką ilością łagodnego roztworu środka myjącego.
- Do czyszczenia wnętrza i zewnętrznych części urządzenia nigdy nie używaj szorstkich gąbek ani żrących detergentów, jak również druciaków lub przyrządów metalowych.
- **NIE** myj urządzenia wodą lub za pomocą silnego strumienia. Mycie urządzenia wodą może spowodować jej przedostanie się do części elektrycznych i doprowadzić do porażenia prądem.
- Części urządzenia ani akcesoria nie mogą być myte w zmywarce.

Zalecany sposób mycia urządzenia:

Części	Czyszczenie	Częstotliwość
Misa	Za pomocą gąbki lub wilgotnej ściereczki z niewielką ilością łagodnego roztworu środka myjącego, przemyj, zdezynfekuj i dokładnie wysusz.	Umyj po każdym użyciu.
Akcesoria (hak do ciasta, mieszadło płaskie i różga)	Umyj ręcznie za pomocą łagodnego roztworu środka myjącego, przemyj, zdezynfekuj i dokładnie wysusz.	Umyj po każdym użyciu.
Ostona misy	Umyj ręcznie za pomocą gąbki lub wilgotnej ściereczki z niewielką ilością łagodnego roztworu środka myjącego, przemyj, zdezynfekuj i dokładnie wysusz.	Umyj po każdym użyciu.
Powierzchnia zewnętrzna	Przetrzyj ściereczką z łagodnym roztworem środka myjącego, przemyj, zdezynfekuj i dokładnie wysusz. Do czyszczenia nie używaj strumienia wody.	Dwa razy w tygodniu
Wał mechanizmu planetarnego	Przetrzyj ściereczką z łagodnym roztworem środka myjącego, przemyj, zdezynfekuj i dokładnie wysusz.	Umyj po każdym użyciu.

### Przechowywanie

- Przed umieszczeniem w miejscu przechowywania, zawsze upewnij się, czy urządzenie zostało odłączone od gniazdka sieciowego i całkowicie ostygło.
- Przechowuj urządzenie w chłodnym, czystym i suchym miejscu.



## Wyszukiwanie i usuwanie usterek

Jeśli urządzenie nie działa prawidłowo, zapoznaj się z poniższą tabelą w celu znalezienia prawidłowego rozwiązania. Jeśli nadal nie możesz rozwiązać problemu, skontaktuj się z dostawcą. NIGDY nie przeprowadzaj naprawy samodzielnie.

Problem	Możliwa przyczyna	Możliwe rozwiązanie
Urządzenie nie uruchamia się	Ostona misy (5) nie znajduje się w prawidłowej (zablokowanej) pozycji.	Obróć ostonę misy (5) w prawo, aż znajdzie się w prawidłowej (zablokowanej) pozycji.
	Misa (2) nie została podniesiona wystarczająco i nie znajduje się we właściwym położeniu.	Podnieś misę (2) do właściwego położenia za pomocą dźwigni (9).
	Wtyczka nie jest prawidłowo podłączona do źródła zasilania.	Sprawdź, czy wtyczka jest prawidłowo podłączona do źródła zasilania.
Urządzenie zatrzymuje się podczas pracy.	Uruchomiono wewnętrzne zabezpieczenie przez przegrzaniem.	Wciśnij CZERWONY wyłącznik „0” (8), odłącz urządzenie od źródła zasilania, pozostaw do całkowitego ostygnięcia, wciśnij przycisk RESET (10) znajdujący się z tyłu urządzenia.
	Uszkodzony lub zniszczony pas przekładni.	Skontaktuj się z dostawcą.
Urządzenie pracuje zbyt głośno	Urządzenie nie zostało umieszczone na poziomej powierzchni.	Ustaw powierzchnię poziomo lub przenieś urządzenie na inną, poziomą powierzchnię.
	Misa (2) nie została prawidłowo umieszczona we wsporniku.	Upewnij się, że misa (2) została prawidłowo umieszczona we wsporniku (12), z prawidłowo umieszczonymi zaciskami (3).
	Akcesoria nie zostały prawidłowo zamontowane.	Wyjmij akcesoria i zamontuj ponownie prawidłowo.
	Zbyt dużo składników w misie.	Zmniejsz ilość składników.
	Uszkodzony lub zużyty pas przekładni.	Skontaktuj się z dostawcą.
	Przekładnia planetarna musi zostać nasmarowana.	
Montaż akcesoriów w wale planetarnym jest utrudniony.	Wał planetarny niedostatecznie nasmarowany i/lub wymagane jego czyszczenie.	Przetrzyj wał planetarny czystą, wilgotną ściereczką i nasmaruj wał za pomocą oleju mineralnego bądź smaru.
Dźwignia podnoszenia / opuszczania misy (9) zaczyna się.	Niewystarczająca ilość smaru na bokach misy.	Nasmaruj boki misy olejem mineralnym bądź smarem.

## Specyfikacja techniczna

Nr produktu	222836	222966	222843	222973
Napięcie robocze i częstotliwość:	220 – 240 V~ 50/60Hz			
Znamionowy pobór mocy	600W		1100W	
Waga netto (ok.)	53kg		78kg	
Stopień ochrony	Klasa I			
Klasa wodoodporności	IP21			
Prędkość obrotowa (obr./min)	Hak do wyrabiania ciasta	148	197	
	Mieszadło płaskie	244	317	
	Różga	480	462	
Maksymalna pojemność misy	10L		20L	
Maksymalna ilość mąki podczas mieszania	2,5 kg		5,0 kg	
Maksymalny poziom hałasu	< 70 dB (A)			
Wymiary zewnętrzne	480 x 400 x (H) 630mm		560 x 500 x (H) 880mm	

**Uwaga:** Specyfikacja techniczna może ulec zmianie bez uprzedzenia.



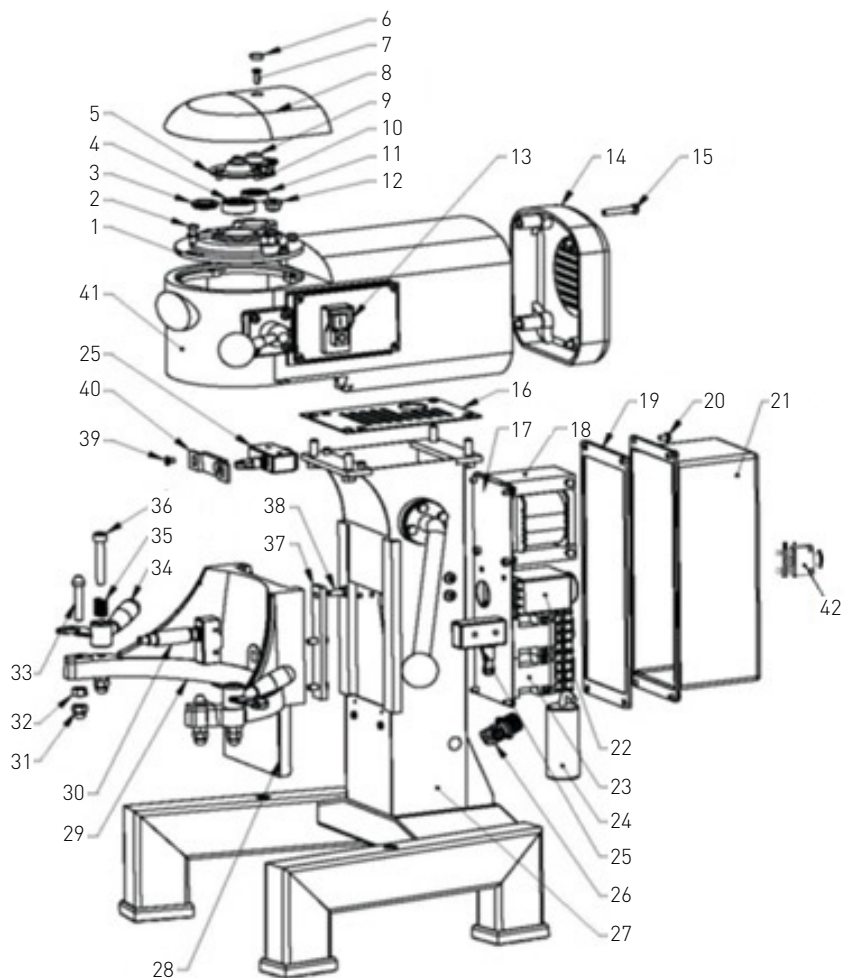
## Rysunek złożeniowy i wykaz części

**Uwaga:** Rysunek złożeniowy i wykaz części składają się z poniższych części:

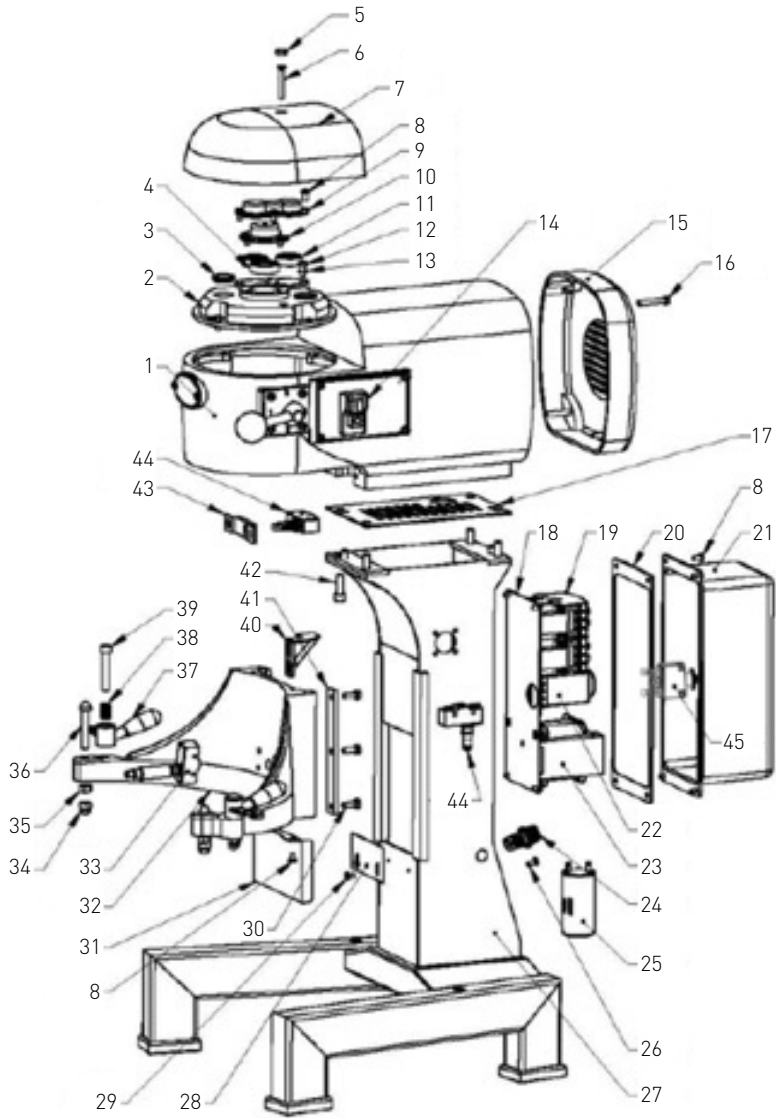
- Na górze urządzenia - system przekładni, wspornik na misę i wspornik urządzenia (Rys. 1);
- Zespół osi przekładni (Rys. 3);
- Zespół silnika (Rys. 4);
- Zespół podnośnika misy (Rys. 5);
- Płyta obrotowa ostony misy i oś mieszająca (Rys. 6);
- Zespół regulacji prędkości (Rys. 7)

**Rys. 1: System przekładni, wspornik na misę i wspornik urządzenia**

222836/222966:



Nr części	Nazwa części	Ilość	Nr części	Nazwa części	Ilość
1	Pokrywa tożyska	1	22	Przełącznik czasowy	1
2	Śruba (M6X16)	4	23	Przełącznik	2
3	Pokrywa	1	24	Kondensator	1
4	Łożysko 6202	1	25	Mikrowyłącznik	3
5	Pokrywa środkowa	1	26	Złącze kablowe	1
6	Pokrywa	2	27	Kolumna pionowa	1
7	Śruba (M5X16)	1	28	Panel kolumny pionowej	1
8	Górna pokrywa	1	29	Ramię kompletne	1
9	Pokrywa	1	30	Tuleja (do mikroprzełącznika)	1
10	Śruba (M5X8)	5	31	Nakrętka kotłakowa (M8)	2
11	Łożysko 6001	1	32	Nakrętka (M8)	4
12	Pokrywa	1	33	Śruba miseczkowa	2
13	Wyłącznik zasilania	1	34	Uchwyt mocujący	2
14	Tyłna ostona	1	35	Sprężyna uchwytu mocującego	2
15	Śruba (M6X35)	4	36	Śruba (M8X60)	2
16	Płyta typu Anti-mouse	1	37	Zacisk płaski	2
17	Tablica elektryczna	1	38	Śruba (M6X16)	6
18	Transformator	1	39	Śruba (M4X8)	2
19	Paski zaciskowe skrzynki elektrycznej	1	40	Stojak mikroprzełącznika	2
20	Śruba (M5X8)	4	41	Korpus	1
21	Skrzynka elektryczna	1	42	Przełącznik przeciążeniowy	1

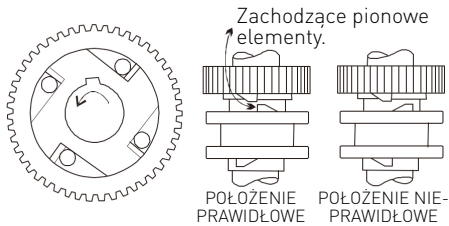
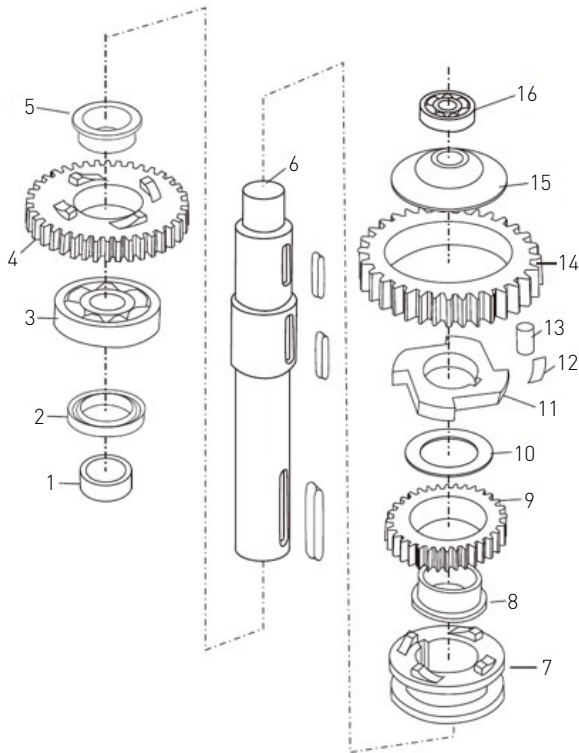


PL

Nr części	Nazwa części	Ilość	Nr części	Nazwa części	Ilość
1	Korpus	1	24	Złącze kablowe	1
2	Pokrywa tożyska	1	25	Kondensator	1
3	Pokrywa	2	26	Śruba miedziana (M5X12)	1
4	Łożysko (6003)	1	27	Kolumna pionowa	1
5	Pokrywa	3	28	Panel kolumny pionowej	1
6	Śruba (M6X45)	1	29	Śruba (M4X8)	2
7	Górna pokrywa	1	30	Śruba (M6X16)	6
8	Śruba (M5X8)	7	31	Panel kolumny pionowej	1
9	Pokrywa	1	32	Ramię	1
10	Pokrywa środkowa	1	33	Tuleja (do mikroprzetącznika)	1
11	Łożysko (6201)	2	34	Nakrętka (M8)	2
12	Śruba (M6X14)	4	35	Nakrętka (M8)	2
13	Podkładka sprężysta 6	4	36	Śruba miseczkowa	2
14	Wyłącznik zasilania	1	37	Uchwyt mocujący	2
15	Tyłna ostona	1	38	Sprężyna uchwytu mocującego	2
16	Śruba (M6X35)	4	39	Śruba (M8X60)	2
17	Płyta typu Anti-mouse	1	40	Bloki z tworzywa sztucznego	1
18	Tablica elektryczna	1	41	Zacisk płaski	2
19	Przełącznik	2	42	Śruba (M8X25)	4
20	Paski zaciskowe skrzynki elektrycznej	1	43	Stojak mikroprzetącznika	1
21	Skrzynka elektryczna	1	44	Mikrowyłącznik	2
22	Przełącznik czasowy	1	45	Przetącznik przeciążeniowy	1
23	Transformator	1			

## Rys. 2: Zespół osiowy

222836/222966:



Rys. 2-1

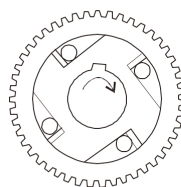
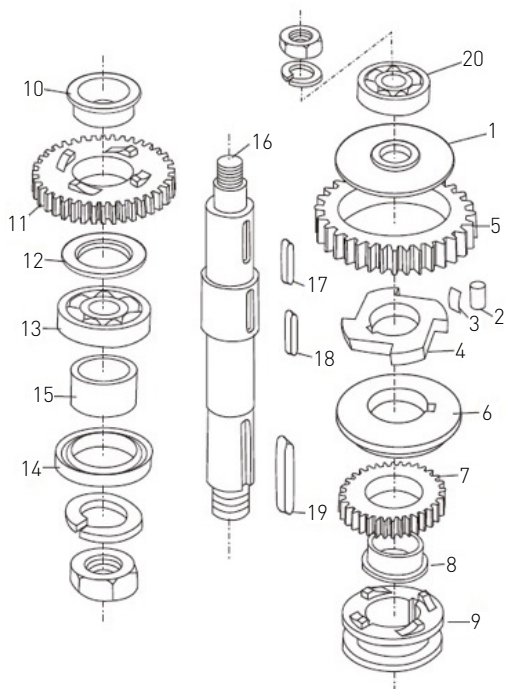
Rys. 2-2

### Uwaga:

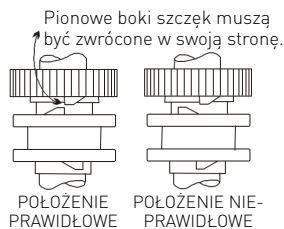
1. Pamiętaj, by zamontować części we właściwych miejscach i nasmarować sworznie przedstawione na rys. 2-1.
2. Sprawdź, czy po ponownym złożeniu urządzenia uszczelka olejowa znajduje się we właściwej pozycji.

Nr części	Nazwa części	Ilość
1	Pokrywa	1
2	Uszczelka olejowa	1
3	Łożysko (6204)	1
4	Przekładnia sprzęgająca	1
5	Łożysko	1
6	Oś środkowa	1
7	Sprzęg	1
8	Łożysko	1
9	Pierścień małego koła	1
10	Pierścień podziałowy	1
11	Element wykonawczy	1
12	Sprężyna	1
13	Rolka	1
14	Pierścień dużego koła	1
15	Pokrywa	1
16	Łożysko (6001)	1





Rys. 2-1



Rys. 2-2

## Uwaga:

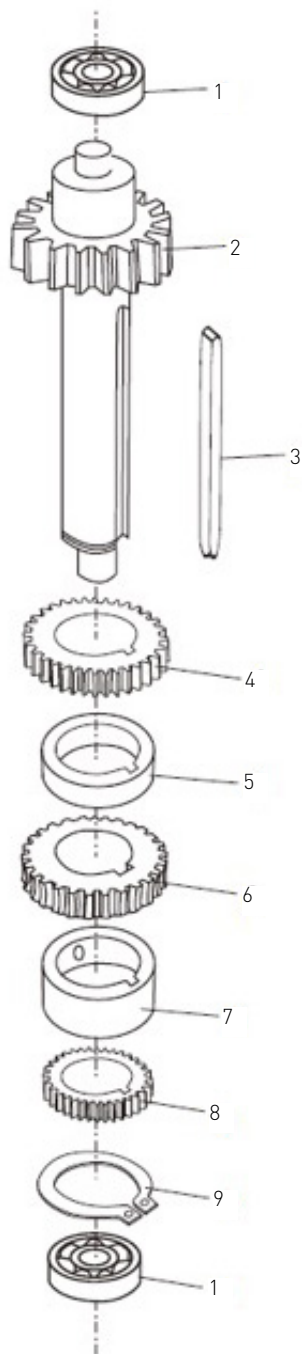
1. Pamiętaj, by zamontować części we właściwych miejscach i nasmarować sworznie przedstawione na rys. 2-1.
2. Sprawdź, czy po ponownym złożeniu urządzenia uszczelka olejowa znajduje się we właściwej pozycji.

Nr części	Nazwa części	Ilość
1	Pokrywa	1
2	Rolka	1
3	Sprężyna	1
4	Element wykonawczy	1
5	Pierścień kota	1
6	Pierścień podziałowy	1
7	Koto górne	1
8	Pierścień tożyskowy	1
9	Pierścień sprzętowy	1
10	Pierścień tożyskowy	1
11	Dolne koto	1
12	Pierścień	1
13	Łożysko (6205)	1
14	Uszczelka olejowa (30X45X10)	1
15	Przekładka	1
16	Oś środkowa	1
17	Klucz (6X14)	1
18	Klucz (5X35)	1
19	Klucz (6X30)	1
20	Łożysko (6003)	1



Rys. 3: Zespół osiowy przekładni

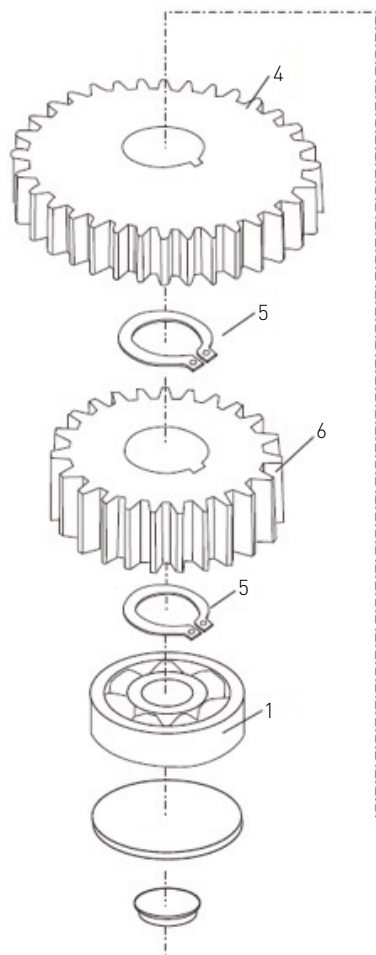
222836/222966:



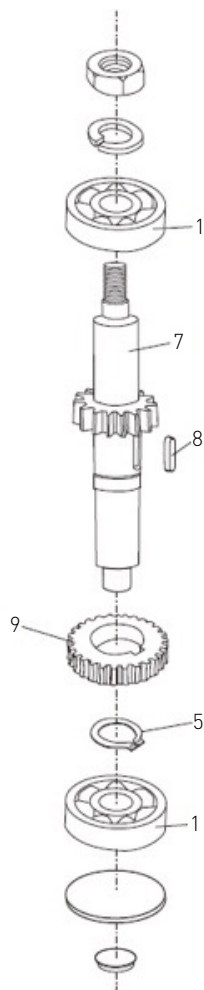
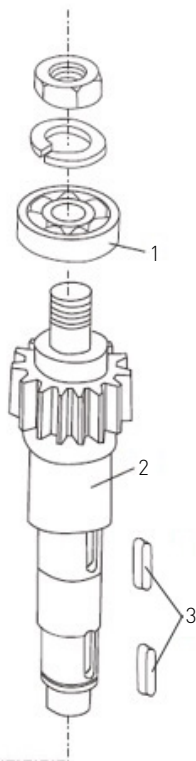
Nr części	Nazwa części	Ilość
1	Łożysko (6001)	2
2	Szybkobieżna oś przekładniowa	1
3	Kłucz (5X58)	1
4	Koto górne	1
5	Mała przekładka	1
6	Dolne koto	1
7	Duża przekładka	1
8	Koto dolne	1
9	Sprężynujący pierścień zabezpieczający	1

Uwaga: Upewnij się, że w każdej przekładni umieszczone zostały wpusty.





Dual gear axle

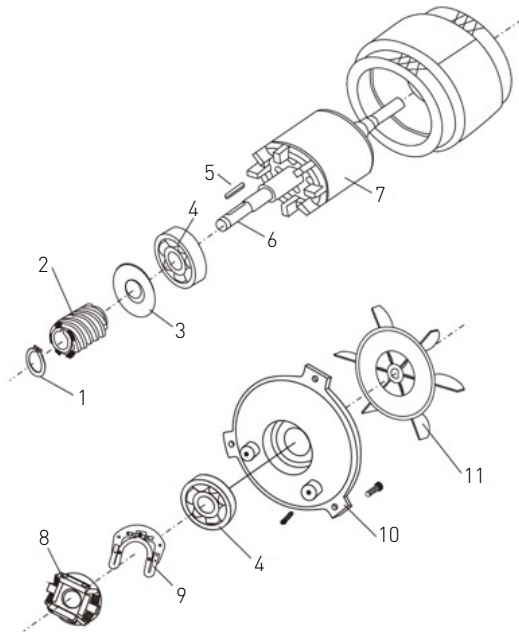


Single gear axle

Nr części	Nazwa części	Ilość	Nr części	Nazwa części	Ilość
1	Łożysko (6201)	4	6	Dolne koło	1
2	Podwójna oś przekładniowa	1	7	Pojedyncza oś przekładniowa	1
3	Kłucz (5X11)	2	8	Kłucz (5X14)	1
4	Koło górne	1	9	Przekładnia	1
5	Sprężynujący pierścień zabezpieczający	3			

Uwaga: Upewnij się, że w każdej przekładni umieszczone zostały wpusty.

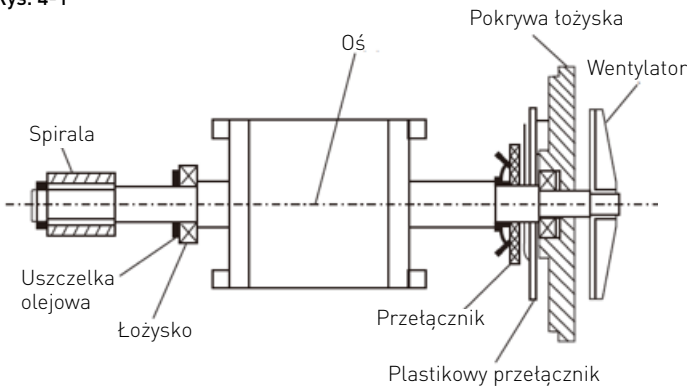
Rys. 4: Zespól silnika



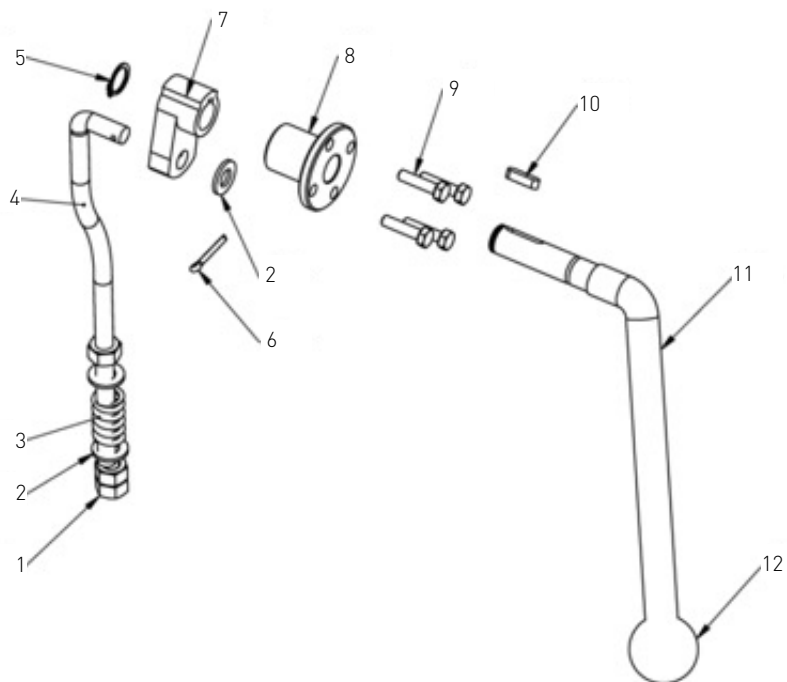
Nr części	Nazwa części	Ilość	Nr części	Nazwa części	Ilość
1	Pierścień oporowy (tylko 222843)	1	7	Rotor	1
2	Spirala	2	8	Przetącnik	1
3	Uszczelka olejowa	1	9	Plastikowy panel przetącnika	1
4	Łożysko	1	10	Pokrywa łożyska	1
5	Klucz (4x22)	1	11	Wentylator	1
6	Oś	1			

PL

Rys. 4-1



Rys. 5: Zespół podnośnika miski

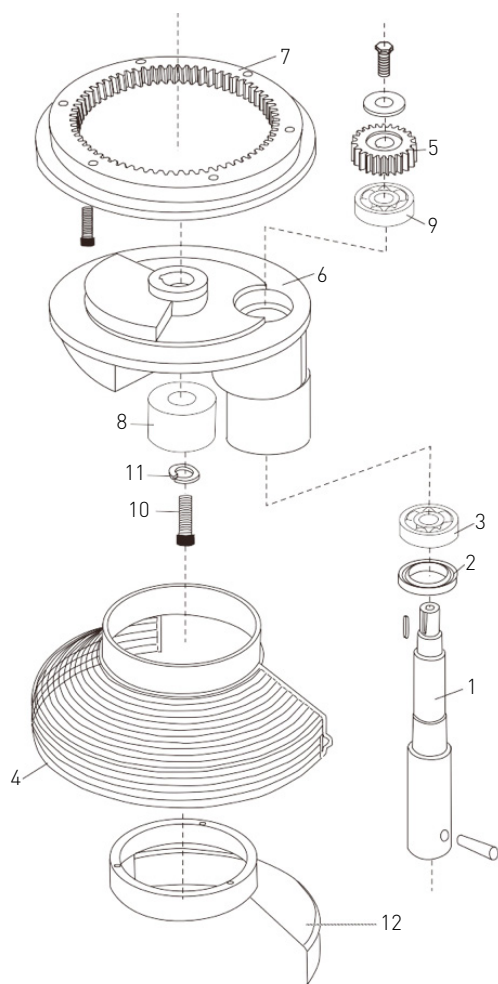


PL

Nr części	Nazwa części	Ilość	Nr części	Nazwa części	Ilość
1	Nakrętka (M10)	3	7	Koto korbowe	1
2	Podkładka płaska	2	8	Kołnier	1
3	Sprężyna ramienia	1	9	Śruba (M6X25)	4
4	Listwa podnosząca	1	10	Klucz (5x20)	1
5	Pierścień blokujący	1	11	Uchwyt podnoszenia miski	1
6	Zawlecza	1	12	Plastikowa kulka	1

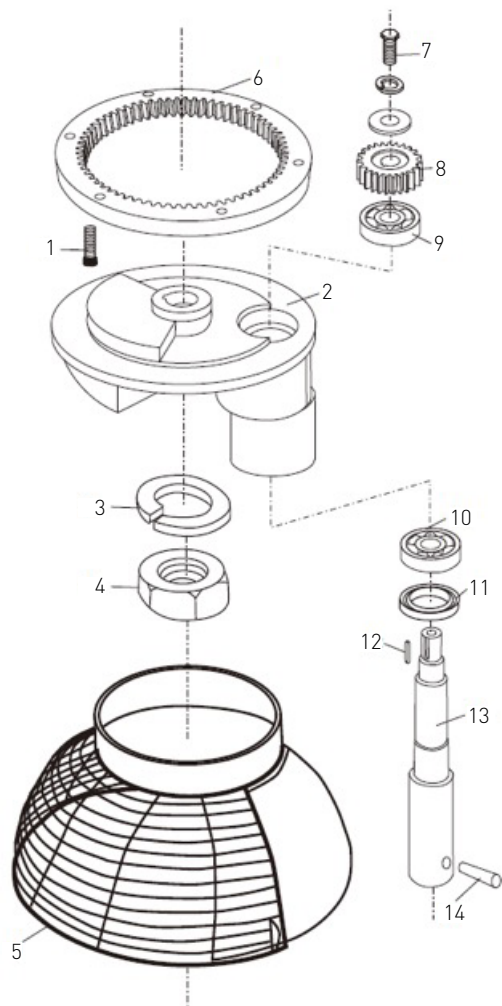
## Rys. 6: Płyta obrotowa i oś mieszająca

222836/222966:



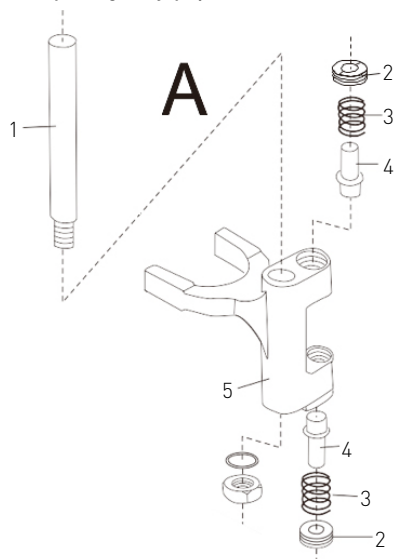
Nr części	Nazwa części	Ilość	Nr części	Nazwa części	Ilość
1	Oś mieszająca	1	7	Przekładnia wewnętrzna	1
2	Uszczelka olejowa (20X40X10)	1	8	Pokrywa	1
3	Łożysko	1	9	Łożysko	1
4	Ostona miski	1	10	Śruba (M8X20)	1
5	Przekładnia planetarna	1	11	Podkładka sprężysta	1
6	Płyta obrotowa	1	12	Pokrywa tylna ostony miski	1



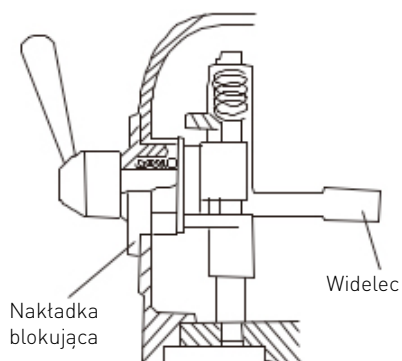
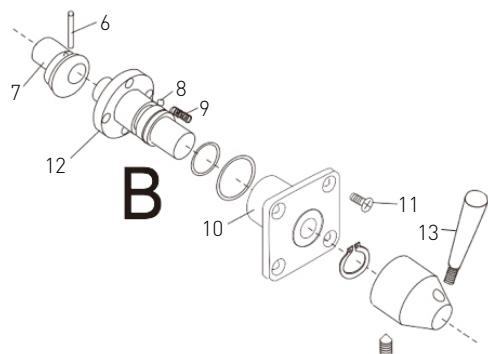


Nr części	Nazwa części	Ilość	Nr części	Nazwa części	Ilość
1	Śruba (M6X25)	1	8	Przekładnia planetarna	1
2	Płyta obrotowa	1	9	Łożysko (6203)	1
3	Podkładka sprężysta	1	10	Łożysko (6204)	1
4	Nakrętka (M18)	1	11	Uszczelka olejowa (25X50X10)	1
5	Ostona miski	1	12	Klucz (5X18)	1
6	Przekładnia wewnętrzna	1	13	Oś mieszająca	1
7	Śruba (M8X15)	1	14	Sworzeń	1

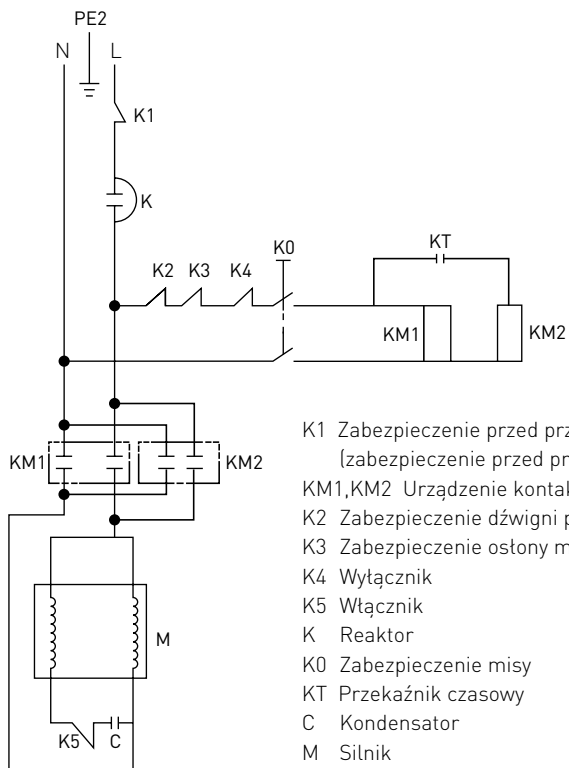
Rys. 7: Zespól regulacji prędkości



Nr części	Nazwa części	Ilość	
A	1	Pręt	1
	2	Nakrętka	1
	3	Sprężyna	1
	4	Wał	1
	5	Widły	1
B	6	Sworzeń (3X20)	1
	7	Węzeł	1
	8	Stalowe tożysko kulkowe	3
	9	Sprężyna	3
	10	Pokrywa bloku	1
	11	Śruba (M5X10)	1
	12	Wał	1
	13	Dźwignia	1



## Schemat elektryczny



- K1 Zabezpieczenie przed przeciążeniem  
(zabezpieczenie przed przegrzaniem)
- KM1, KM2 Urządzenie kontaktowe AC
- K2 Zabezpieczenie dźwigni podnoszącej misę
- K3 Zabezpieczenie ostony misy
- K4 Wytącznik
- K5 Wtącznik
- K Reaktor
- K0 Zabezpieczenie misy
- KT Przełącznik czasowy
- C Kondensator
- M Silnik



## Gwarancja

Każda wada bądź usterka powodująca niewłaściwe funkcjonowanie urządzenia, która ujawni się w ciągu jednego roku od daty zakupu, zostanie bezpłatnie usunięta lub urządzenie zostanie wymienione na nowe, o ile byto użytkowane i konserwowane zgodnie z instrukcją obsługi i nie byto wykorzystywane w niewłaściwy sposób lub niezgodnie z przeznaczeniem. Postanowienie to w żadnej mierze nie narusza innych praw użytkownika wynikających z przepisów prawa. W przypadku zgłoszenia urzą-

dzenia do naprawy lub wymiany w ramach gwarancji należy podać miejsce i datę zakupu urządzenia i dołączyć dowód zakupu (np. paragon).

Zgodnie z naszą polityką ciągłego doskonalenia wyrobów zastrzegamy sobie prawo do wprowadzania bez uprzedzenia zmian w wyrobie, opakowaniu oraz danych technicznych podawanych w dokumentacji.

## Wycofanie z użytkowania i ochrona środowiska

### Pamiętaj!

**Nie wyrzucaj zużytego sprzętu łącznie z innymi odpadami**

**Nie demontuj zużytych urządzeń zawierających niebezpieczne składniki na własną rękę!**

**Grożą Ci za to kary grzywny!**

Po zakończeniu eksploatacji produktu nie wolno gromadzić razem z odpadami komunalnymi, tylko należy odstawić do punktu odbioru odpadów elektrycznych i elektronicznych. Użytkownik ponosi odpowiedzialność za przekazanie wycofanego z użytkowania urządzenia do punktu gospodarowania odpadami. Nieprzestrzeganie tej zasady może być karane zgodnie z lokalnie obowiązującymi przepisami dotyczącymi gospodarowania odpadami. Jeśli urządzenie wycofane z użytkowania jest poprawnie odebrane jako osobny odpad, może zostać przetworzone i zutyliczowane w sposób przyjazny dla środowiska, co zmniejsza negatywny wpływ na środowisko i zdrowie ludzi. Aby uzyskać więcej informacji dotyczących dostępnych usług w zakresie odbioru odpadów, należy skontaktować się z lokalną firmą odbierającą odpady.



**Symbol przekreślonego kosza na śmieci oznacza, że tego produktu nie wolno wyrzucać do zwykłych pojemników na odpady.**

Zużyte urządzenia elektryczne i elektroniczne mogą zawierać niebezpieczne składniki np. rtęć, ołów, kadm lub freon. Jeśli tego typu substancje przedostaną się w sposób niekontrolowany do środowiska, spowodują skażenie wody i gleby, a także wpłyną niekorzystnie na zdrowie ludzi i zwierząt.

Właściwe postępowanie ze zużytym sprzętem zapobiega potencjalnym negatywnym konsekwencjom dla środowiska naturalnego i ludzkiego zdrowia.


Jednocześnie oszczędzamy naturalne zasoby naszej Ziemi wykorzystując powtórnie surowce uzyskane z przetwarzania sprzętu.



Cher client,

Merci d'avoir acheté cet appareil de HENDI. Veuillez lire attentivement ce mode d'emploi avant de brancher l'appareil afin d'éviter tout endommagement pour cause d'usage abusif. Veuillez notamment lire les consignes de sécurité avec la plus grande attention.

## Règles de sécurité

- L'utilisation abusive et le maniement incorrect de l'appareil peuvent entraîner une grave détérioration de l'appareil ou provoquer des blessures.
- Cet appareil n'est pas destiné à un usage domestique.
- L'appareil doit être utilisé uniquement pour le but il a été conçu. Le fabricant décline toute responsabilité en cas de dommage consécutif à un usage abusif ou un maniement incorrect.
- Veillez à tenir l'appareil et la prise électrique hors de portée de l'eau ou de tout autre liquide. Si malencontreusement l'appareil tombe dans l'eau, débranchez immédiatement la prise électrique et faites contrôler l'appareil par un réparateur agréé. La non-observation de cette consigne entraîne un risque d'accident mortel.
- Ne tentez jamais de démonter vous-même le bâti de l'appareil.
- N'enfoncez aucun objet dans la carcasse de l'appareil.
- Ne touchez pas la prise avec les mains mouillées ou humides.
-  **Risque d'électrocution!** Ne tentez jamais de réparer l'appareil. Tous défauts et dysfonctionnement doivent être supprimés par le personnel qualifié.
- **N'utilisez jamais l'appareil endommagé!** Débranchez l'appareil endommagé de l'alimentation électrique et contactez votre revendeur.
- **Avertissement:** N'immergez pas les pièces électriques de l'appareil dans l'eau ou dans d'autres liquides. Ne mettez pas l'appareil sous l'eau courante.
- Vérifiez régulièrement la fiche et le câble d'alimentation pour les dommages. La fiche ou le câble d'alimentation endommagé(e) transmettre pour la réparation au service ou à une personne qualifiée, pour prévenir tous les menaces ou les blessures possibles.
- Assurez-vous que le câble d'alimentation n'est pas en contact avec les objets pointus ou chauds ; gardez le câble loin des flammes nues. Pour retirer la fiche de la prise murale, tirez toujours en tenant la fiche et non le câble d'alimentation.
- Protégez le câble d'alimentation (ou la rallonge) contre le débranchement accidentel de la prise murale. Le câble doit être posé de manière ne provoquant pas les chutes accidentelles.
- Surveillez en permanence l'appareil pendant l'utilisation.
- **Avertissement!** Si la fiche est insérée dans la prise murale, l'appareil doit être considéré comme branché à l'alimentation.
- Avant de retirer la fiche de la prise, éteignez l'appareil !
- Ne transportez jamais l'appareil en tenant le câble.
- N'utilisez aucuns accessoires qui n'ont pas été fournis avec l'appareil.
- L'appareil doit être branché à la prise murale avec une tension et la fréquence indiquées

FR




sur la plaque signalétique.

- Insérez la fiche à la prise murale située dans un endroit facilement accessible de sorte qu'en cas de panne l'appareil puisse être immédiatement déconnecté. Pour éteindre complètement l'appareil, débranchez-le de la source d'alimentation. Pour cela, retirez la fiche à l'extrémité du câble d'alimentation de la prise murale.
- Eteignez l'appareil avant de débrancher l'appareil de la prise!
- N'utilisez jamais les accessoires non recommandés par le fabricant. L'utilisation des accessoires non recommandés peut présenter des risques pour l'utilisateur et provoquer des dommages à l'appareil. Utilisez uniquement des pièces et accessoires originaux.
- Cet appareil n'est pas apte à être utilisé par des personnes (enfants compris) avec capacités physiques, sensorielles ou intellectuelles diminuées ou ne possédant pas l'expérience et les connaissances suffisantes.
- Ne laissez jamais les enfants utiliser l'appareil.
- L'appareil et le câble d'alimentation doivent être stockés hors de la portée des enfants.
- Ne permettez pas aux enfants d'utiliser l'appareil pour jouer
- Débranchez toujours l'appareil de l'alimentation s'il doit être laissé sans surveillance et également avant le montage, le démontage et le nettoyage.
- Ne laissez jamais l'appareil sans surveillance lorsqu'il est utilisé.

---

## Consignes particulières de sécurité

- Utilisez l'appareil uniquement conformément aux instructions.
- L'appareil doit être installé et utilisé par le personnel qualifié de la cuisine, dans des points de l'industrie alimentaire par exemple ceux fournissant les services de restauration, dans les boulangeries, les pizzerias, les pâtisseries ou autres points de l'industrie de la confiserie etc.
- Toutes les interventions d'entretien et d'installation et la réparation de l'appareil doivent être effectuées par les techniciens qualifiés et autorisés.
-  Sur la partie arrière de l'appareil il y a une prise équipotentielle qui permet l'assemblage en croix d'un autre appareil.
- Ne placez pas l'appareil sur un objet émettant de la chaleur (la cuisinière à gaz, électrique ou les barbecues etc.) Tenez l'appareil éloignés des surfaces chaudes ou des flammes nues. Placez l'appareil sur une surface stable, propre et sèche, résistant à des températures élevées.
- N'utilisez pas à proximité de l'appareil des matériaux inflammables ou explosifs, les cartes bancaires, les disques magnétiques ou la radio.
- Si nécessaire, utilisez pendant le fonctionnement de l'appareil des vêtements de protection, un masque ou des lunettes de protection.
- L'appareil n'est pas conçu pour fonctionner par l'intermédiaire d'une minuterie externe ou d'un système de contrôle à distance séparé.
- Ne modifiez jamais les verrouillages de sécurité.
- **AVERTISSEMENT** : N'obstruez pas les orifices de ventilation.



- **AVERTISSEMENT** : Rappelez-vous toujours d'éteindre ou de débrancher l'appareil.
- Assurez au moins 30 cm d'espace autour de l'appareil pour garantir une ventilation adéquate.
- **Attention !** Faites passer de manière adéquate et protéger le câble d'alimentation pour éviter tout risque de traction ou de contact avec la plaque chauffante.
- **AVERTISSEMENT !** Rappelez-vous de ne pas porter les vêtements amples et ne pas toucher les pièces en mouvement avec vos mains, attachez les cheveux.
- Pendant le fonctionnement de l'appareil ne mettez pas vos mains sous le couvercle ou dans la cuve.
- Ne mettez pas dans la cuve trop d'ingrédients pour éviter tout débordement. La cuve peut contenir jusqu'à 10 litres. (Modèle 222836, 222966) ou 20 litres (modèle 222843, 222973).
- Ne nettoyez pas l'appareil avec de l'eau ou avec un fort courant d'eau. Le lavage de l'appareil avec de l'eau peut provoquer la pénétration de l'eau dans des parties électriques et provoquer le choc électrique. Les parties de l'appareil ne peuvent pas être lavées dans le lave-vaisselle.
- Ne nettoyez pas l'appareil ou ne le rangez pas avant le refroidissement complet.
- Soyez prudent pendant le transport de l'appareil en raison de son poids. L'appareil doit être transporté par deux personnes ou à l'aide d'un chariot. Transportez l'appareil avec précaution et lentement, sans l'incliner à un angle supérieur à 45°.

### Destination de l'appareil

- Cet appareil est destiné à un usage professionnel. Ne peut qu'être utilisé par du personnel qualifié.
  - L'appareil est destiné à un usage commercial et est utilisé pour mélanger, pétrir et émulsionner / monter les produits alimentaires dans des points de l'industrie alimentaire, dans les magasins.
- L'utilisation de l'appareil à d'autres fins peut entraîner des dommages ou des blessures.
- L'utilisation de l'appareil à d'autres fins sera considérée comme une utilisation inappropriée. L'utilisateur sera seul responsable de l'utilisation incorrecte de l'appareil.

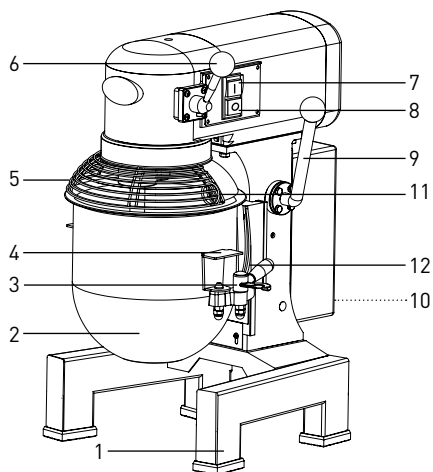
### Mise à la terre

Le batteur mélangeur est un appareil de la 1ère classe de protection et doit être obligatoirement mis à la terre. La mise à la terre réduit le risque de choc électrique grâce à un conduit évacuant

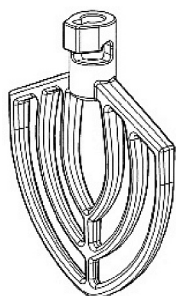
le courant électrique. L'appareil est équipé d'un conduit avec la mise à la terre et la prise de terre. N'insérez pas la fiche à la prise murale si l'appareil n'a pas été correctement installé et mis à la terre.

## Main parts of the machine

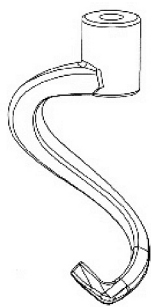
1. Support stable de l'appareil
2. Cuve
3. Prises de la cuve (x 2)
4. Poignées de la cuve (x 2)
5. Couvercle de la cuve
6. Bouton de contrôle de vitesse  
(3 vitesses pour 3 accessoires)
7. Bouton de marche (VERT, I)
8. Bouton d'arrêt (rouge, 0)
9. Levier de levage / descente de la cuve
10. Bouton RAZ [au dos de l'appareil]
11. Poignée du couvercle de la cuve
12. Support de la cuve



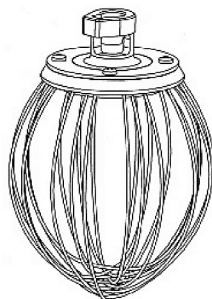
## Accessoires



Palette



Batteur crochet pour  
mélanger la pâte



Fouet

## Avant le montage

- Desserrez avec précaution les vis de fixation de l'élément de support, si nécessaire, à l'aide d'une clef anglaise.
- Retirez et éliminez l'emballage et toutes les protections.
- Vérifiez l'appareil et les accessoires en ce qui concerne l'intégralité et les dommages éventuels de l'appareil pendant le transport. En cas de livraison incomplète (par exemple les accessoires manquants) ou de dommages, contactez votre fournisseur. N'UTILISEZ PAS l'appareil (voir ==> Garantie).
- Nettoyez l'appareil (voir ==> Nettoyage et entretien).
- Vérifiez que l'appareil est complètement sec.
- Conservez l'emballage pour le stockage de l'appareil si celui-ci n'est pas utilisé pendant une longue période.



---

## Installation

- Lisez attentivement les instructions avant l'installation et l'utilisation de l'appareil.
- Assurez-vous que l'appareil a été placé sur une surface sèche, résistante, dans un endroit où il y a un accès facile à l'appareil.
- Assurez-vous que la spécification sur la plaque signalétique correspond aux paramètres de la prise de courant à laquelle l'appareil est raccordé.
- Pour que l'opérateur puisse travailler, autour de l'appareil un espace suffisant doit être maintenu. Ne placez aucuns objets autour de l'appareil tels que les épilateurs ou les couteaux etc.
- Pendant l'utilisation de l'appareil ne portez pas de vêtements amples tels que des écharpes etc. Attachez vos cheveux et n'approchez aucunes parties du corps à des pièces en mouvement.

**Attention!** Ne débranchez jamais l'interrupteur de sécurité.

---

## Transport et exploitation de l'appareil

- Ne déplacez pas l'appareil pendant son fonctionnement.
- Si vous voulez déplacer l'appareil dans un autre endroit, d'abord débranchez la fiche de la prise de courant, retirez la cuve (2), déconnectez les accessoires (fouet, palette ou batteur crochet).
- Pendant le déplacement de l'appareil, tenez la base de l'appareil (1).
- En raison de son poids l'appareil doit être transporté par deux personnes ou à l'aide d'un chariot.

---

## Dispositifs de sécurité spéciaux

**Attention : L'appareil est équipé de 3 éléments de sécurité. L'appareil ne peut être utilisé que lorsque tous les éléments de sécurité sont dans la bonne position.**

- Protection de la cuve : l'appareil ne peut être démarré que lorsque la cuve a été correctement positionné sur le support.
- Protection du couvercle de la cuve (5) : L'appareil ne peut être démarré que lorsque le couvercle de la cuve (5) a été correctement fixé et verrouillé.
- Protection du levier de levage/descente de la cuve (9) L'appareil ne peut être démarré que lorsque le levier (9) est dans la position supérieure.

Pendant l'utilisation de l'appareil ne portez pas de vêtements amples tels que des écharpes etc. Attachez vos cheveux et n'approchez aucunes parties du corps à des pièces en mouvement.

---

## Fonctionnement

**Pour éviter des blessures graves :**

- N'UTILISEZ JAMAIS l'appareil avant de lire le présent mode d'emploi.
- Rappelez-vous TOUJOURS d'arrêter l'appareil (en utilisant le bouton ROUGE „0“ (8)) et de le débrancher de la source d'alimentation avant le nettoyage, l'entretien, la réparation ou le remplacement des accessoires.
- Rappelez-vous TOUJOURS de ne pas porter de vêtements amples, d'attacher vos cheveux et de ne pas approcher aucunes parties du corps à des pièces en mouvement.

### a) Couvercle de la cuve

**Attention : Si le couvercle de la cuve (5) st ouverts et n'a pas été correctement installé et fermé, l'appareil ne démarre pas.**

1. Pour ouvrir le couvercle de la cuve (5), prenez la poignée du couvercle (11) et tournez au sens horaire. Pour fermer le couvercle de la cuve (5), prenez la poignée du couvercle (11) et tournez au sens antihoraire.



2. Lorsque la poignée du couvercle de la cuve (11) se trouve en ligne droite avec le côté droit de l'appareil, le couvercle de la cuve (5) se trouve

dans la position correcte et l'appareil peut être démarré.

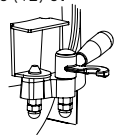
### b) Installez la cuve (2) de l'appareil

Attention : Installez la cuve (2) de l'appareil AVANT l'installation des accessoires. N'utilisez que la cuve (2) fournie avec l'appareil.

1. Abaissez le support de la cuve en utilisant le levier (9), en le dirigeant vers le bas jusqu'à ce que la cuve s'arrête. Le support de la cuve (12) doit être dans la position basse.

2. Placez soigneusement la cuve (2) sur le support en utilisant les poignées (4) qui se trouvent des deux côtés et ensuite :

- Placez la tige de verrouillage dans le trou qui se trouve au milieu du support de la cuve (12) et
- Placez la tige de verrouillage dans le trou qui se trouve au milieu du support de la cuve (12) et



### c) Installez les accessoires (palette, batteur crochet ou fouet)

Attention : Il est plus pratique de fixer les accessoires avant de mettre les ingrédients dans la cuve (2).

- Tournez doucement le couvercle de la cuve (5) dans le sens horaire pour déplacer vers la position ouverte.
- ATTENTION ! L'utilisation de la force excessive lors de l'ouverture ou la fermeture de la cuve (6) peut endommager le micro-interrupteur de

l'élément de sécurité. Soyez prudents lors de l'ouverture ou la fermeture du couvercle de la cuve (6).

- Insérez lentement les accessoires (palette, batteur crochet ou fouet) à l'arbre du batteur mélangeur planétaire en insérant l'axe de l'arbre à travers d'un trou dans l'accessoire.
- Tournez l'accessoire pour le bloquer dans l'arbre du batteur mélangeur planétaire.

### d) Versement et mélange des ingrédients

Attention : Suivez les instructions spécifiées dans le tableau déterminant la quantité maximale d'ingrédients, correspondant à la capacité de la cuve. En remplissant la cuve au-dessus de sa capacité vous pouvez entraîner la fuite et en conséquence les dommages à l'appareil.

**IMPORTANT:** Assurez-vous que le bouton de contrôle de vitesse (6) est réglé sur la position „Batteur crochet”.

- Placez les ingrédients appropriés dans la cuve (2).
- Déplacez le levier de levage / descente de la cuve (9) vers le haut (2) jusqu'à ce que la cuve (2) se trouve dans la position correcte.
- Tournez le couvercle de la cuve (5) dans le sens antihoraire jusqu'à ce qu'il se bloque.

**Attention:** L'appareil ne démarre pas si le couvercle de la cuve (5) est ouvert / n'a pas été correctement bloqué (2) ou s'il se trouve dans la position basse.

### e) Réglez la minuterie et la vitesse, puis démarrez l'appareil

1. Puis réglez la vitesse appropriée de mélange en utilisant le bouton de contrôle de vitesse (6). Il y a trois vitesses possibles pour divers accessoires.

**IMPORTANT:** utilisez **TOUJOURS** les accessoires recommandées et les réglages de vitesse conformément au tableau de capacités et les instructions spécifiées à côté du bouton de contrôle de vitesse (6).

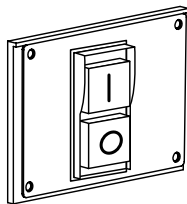
Vitesse de mélange	Type d'ingrédient
Batteur crochet (faible)	lourd: Mélanger la pâte pour la pizza, le pain, les pâtes
Palette plate (moyenne)	moyennement lourd: Le deuxième degré de mélange, par ex. la pâte pour les pâtisseries etc.
Fouet (élevée)	léger: Monter de la crème, des blancs d'œufs, les meringues.

**ATTENTION:** En versant les ingrédients dans la cuve (2) faite attention à la poussière et à la farine qui échappent de l'emballage ouvert. Si nécessaire, utilisez les lunettes de protection.



2. Ensuite appuyez sur l'interrupteur **VERT „I”** (7), pour **démarrer** l'appareil. Appuyez le bouton **ROUGE „0”** (8) pour **ARRETER** le fonctionnement de l'appareil.

L'appareil commence le mélange dans le sens horaire en cas de modèle 222843 et dans le sens antihoraire en cas du modèle 222836.



3. **ATTENTION!** Avant de changer de vitesse, d'abord arrêtez **TOUJOURS** l'appareil. La modification de la vitesse sans arrêter l'appareil peut endommager la structure interne de l'appareil.

4. Pour changer de vitesse pendant le fonctionnement :

- Appuyez le bouton **ROUGE „0”** (8), pour **arrêter** le fonctionnement de l'appareil.
- Retirez la fiche de la prise et remplacez l'accessoire [Voir ==> partie c]
- Sélectionnez la vitesse approprié en utilisant le bouton de contrôle de vitesse (6) pour un accessoire approprié.
- Appuyez le bouton **VERT „I”** (7) pour réinitialiser l'appareil.

### Réinitialisez le fusible thermique (la protection contre la surchauffe)

Rappelez-vous que le bouton RAZ du fusible thermique (10) se trouve à l'arrière de l'appareil.

- Tout d'abord, débranchez l'appareil de la source d'alimentation.
- Laissez refroidir l'appareil complètement.

- Appuyez sur le bouton RAZ (10) du fusible thermique (la protection contre la surchauffe).
- Ensuite branchez l'appareil à la source d'alimentation et activez-le.

### Tableau de capacité déterminant la quantité maximale d'ingrédients

Le tableau ci-dessous n'est qu'une référence et détermine la quantité maximale d'ingrédients qui peut être utilisée pour préparer divers plats. Il y a

plusieurs facteurs variables tels que le type de farine utilisé, la température de l'eau etc.

Produit	Accessoire	Quantité maximale			
		222836	222966	222843	222973
Blanc d'œuf	Fouet	1,0 kg		1,5 kg	
Purée de pommes de terre	Palette	2,0 kg		2,5 kg	
Meringue (quantité d'eau)	Fouet	1,5 litres		2,0 litres	
Pâte pour les gaufres ou les crêpes	Palette	2,5 litres		3,0 litres	
Crème fouettée	Fouet	3,5 litres		4,0 litres	
Pâte pour la pizza (densité moyenne, 50% de l'eau)	Batteur crochet	2,0 kg		2,5 kg	
Pâte pour la pizza (dense, 60% de l'eau)	Batteur crochet	2,5 kg		3,0 kg	
Gâteau de Savoie	Fouet	1,5 kg		2,0 kg	
Pâte pour le gâteau	Palette	2,0 kg		2,5 kg	
Pâte pour le pain, les petits pains (légère, densité moyenne, 60% de l'eau)	Batteur crochet	Eau 1,5 kg / Farine 2,5 kg		Eau 1,5 kg / Farine 2,5 kg	



## Nettoyage et entretien

**Attention : Avant le nettoyage et l'entretien de l'appareil, débranchez l'appareil de la source d'alimentation en retirant la fiche de la prise électrique et attendez jusqu'à ce que l'appareil refroidisse complètement.**

### Nettoyage

- Avant le nettoyage de l'appareil, débranchez toujours tous les accessoires, sinon ils peuvent bloquer sur l'arbre et il sera difficile de les retirer.
- Après chaque utilisation nettoyez soigneusement l'appareil et les accessoires et assurez-vous que tous les restes de nourriture ont été supprimés.
- N'immergez jamais l'appareil dans l'eau ou d'autres liquides.
- Nettoyez les surfaces de l'appareil avec un chiffon ou une éponge humide avec une petite quantité de solution d'un détergent doux
- N'utilisez jamais pour le nettoyage des parties internes et externes des éponges abrasives ou des détergents abrasives ou des éponges en laine d'acier ou des instruments métalliques.
- **NE NETTOYEZ PAS** l'appareil avec de l'eau ou avec un fort courant d'eau. Le lavage de l'appareil avec de l'eau peut provoquer la pénétration de l'eau dans des parties électriques et provoquer le choc électrique.
- Les parties de l'appareil ne peuvent pas être lavées dans le lave-vaisselle.

La méthode de nettoyage de l'appareil recommandée :

Parties	Nettoyage	Fréquence
Cuve	Nettoyez et désinfectez à l'aide d'un chiffon ou une éponge humide avec une petite quantité de solution de détergent doux, puis séchez soigneusement.	Nettoyez après chaque utilisation.
Accessoires (batteur crochet, palette, fouet)	Lavez manuellement avec une solution de détergent doux, nettoyez, désinfectez, puis séchez soigneusement.	Nettoyez après chaque utilisation.
Couvercle de la cuve	Lavez manuellement et désinfectez à l'aide d'un chiffon ou une éponge humide avec une petite quantité de solution de détergent doux, puis séchez soigneusement.	Nettoyez après chaque utilisation.
Surface extérieure	Nettoyez avec une solution de détergent doux, lavez, désinfectez et séchez soigneusement. N'utilisez pas le jet d'eau.	Deux fois par semaine.
Arbre du mécanisme planétaire	Nettoyez avec une solution de détergent doux, lavez, désinfectez et séchez soigneusement.	Nettoyez après chaque utilisation.

FR

### Stockage

- Avant de la mise de l'appareil en stock, assurez-vous toujours que l'appareil a été débranché de la prise électrique et a complètement refroidi.
- Tenez l'appareil dans un endroit frais, propre et sec.



## Dépannage

Si l'appareil ne fonctionne pas correctement, lisez les instructions dans le tableau ci-dessous pour trouver une bonne solution. Si vous ne pouvez pas résoudre le problème, contactez votre revendeur.

**NE réparez JAMAIS l'appareil vous-même.**

Problème	Cause possible	Solution possible
L'appareil ne démarre pas	Le couvercle de la cuve [5] n'est pas dans la bonne position [verrouillée].	Tournez le couvercle de la cuve [5] à droite, pour qu'il se trouve dans la bonne position [verrouillée].
	La cuve [2] n'a pas été assez soulevée et ne se trouve pas dans une bonne position.	Soulevez la cuve [2] à la position correcte du levier [9].
	La fiche n'est pas correctement connectée à la source d'alimentation	Vérifiez que la fiche est correctement connectée à la source d'alimentation.
L'appareil s'arrête pendant le fonctionnement.	La protection interne contre la surchauffe a été activée.	Appuyez le bouton ROUGE „0“ [8], déconnectez l'appareil de la source d'alimentation, laissez refroidir, appuyez le bouton de RAZ [10] à l'arrière de l'appareil.
	La courroie de l'engrenage détruite ou endommagée.	Contactez votre fournisseur.
L'appareil est trop bruyant.	L'appareil n'a pas été placé sur une surface plane.	Réglez la surface de manière horizontale ou déplacez l'appareil sur une autre surface plane et horizontale.
	La cuve [2] n'a pas été correctement placée sur le support.	Assurez-vous que la cuve [2] a été correctement positionnée dans le support [12] avec les éléments de blocage [3] correctement placés.
	Les accessoires n'ont pas été correctement installés.	Retirez les accessoires et réinstallez-les correctement.
	Trop d'ingrédients dans la cuve.	Réduisez la quantité d'ingrédients.
	La courroie de l'engrenage détruite ou endommagée.	Contactez votre fournisseur.
L'engrenage planétaire doit être graissé.		
L'installation des accessoires dans l'arbre planétaire est difficile.	L'arbre planétaire n'est pas suffisamment lubrifié et/ou il doit être nettoyé.	Nettoyez l'arbre avec un chiffon doux et lubrifiez-le en utilisant de l'huile minérale ou de la graisse.
Le levier de levage/de descente de la cuve [9] se bloque.	Une quantité insuffisante de graisse sur les parties latérales de la cuve.	Lubrifiez les parties latérales de la cuve en utilisant de l'huile minérale ou de la graisse.

## Caractéristiques techniques

Numéro de produit	222836	222966	222843	222973
Tension et fréquence	220 – 240 V~ 50/60Hz			
Puissance nominale	600W		1100W	
Poids net (env.)	53kg		78kg	
Niveau de bruit	Classe I			
Classe de résistance à l'eau	IP21			
Vitesse de rotation (tours/min)	Batteur crochet	148	197	
	Palette	244	317	
	Fouet	480	462	
Capacité maximale de la cuve	10L		20L	
Quantité maximale de farine lors de mélange	2,5 kg		5,0 kg	
Niveau de bruit maximale	< 70 dB (A)			
Outer dimension	480 x 400 x (H) 630mm		560 x 500 x (H) 880mm	

**Remarque : Les caractéristiques techniques peuvent être modifiées sans préavis.**



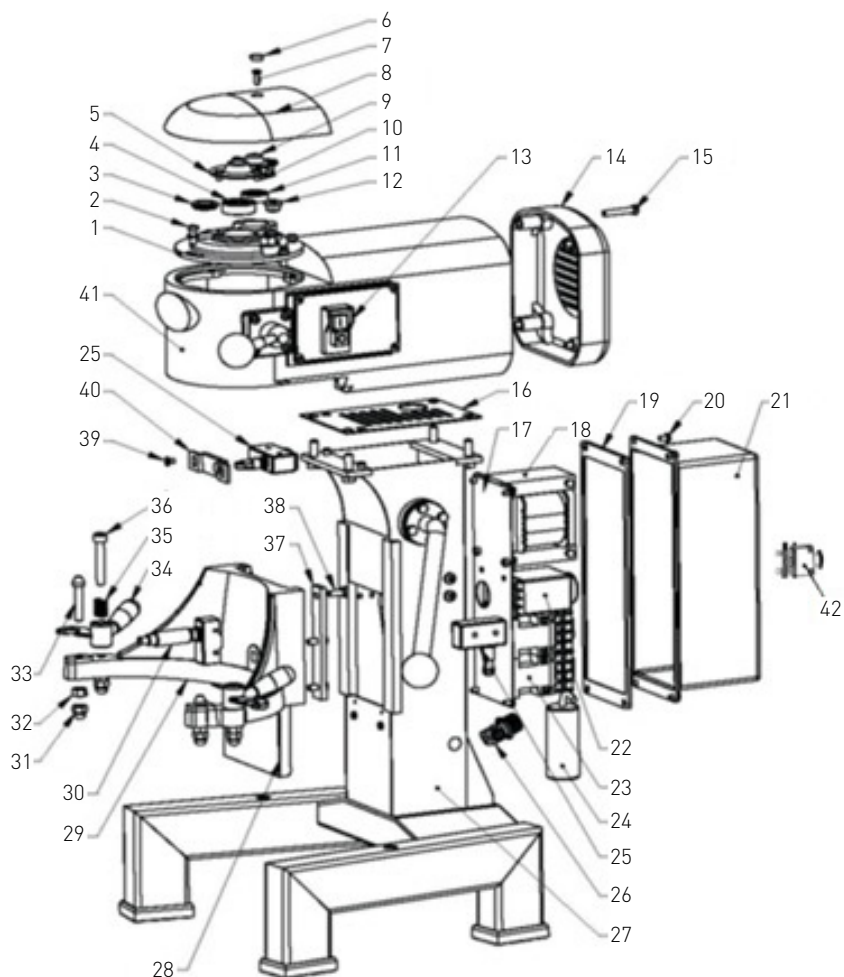
## Dessin d'assemblage et liste de pièces

**Attention :** Le dessin d'assemblage et la liste de pièces se composent des parties suivantes :

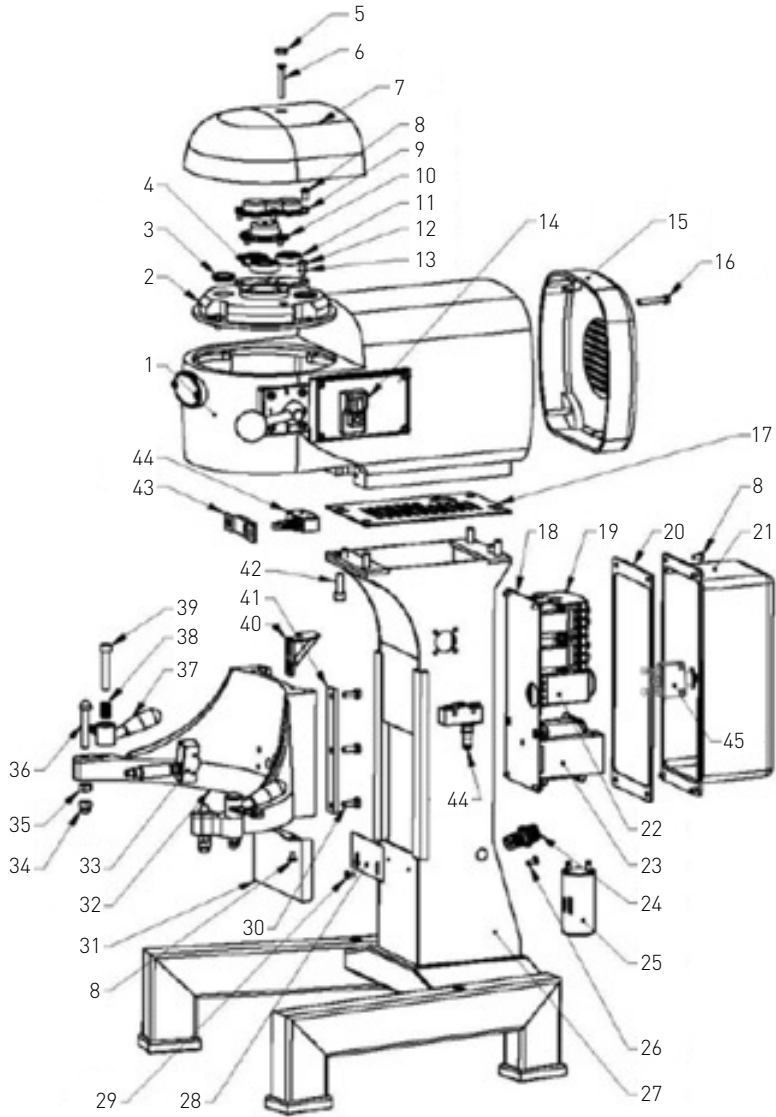
- Dans la partie supérieure de l'appareil - système d'engrenage, support pour la cuve et support de l'appareil (Fig. 1) ;
- Unité du moteur (Fig. 4) ;
- Unité de levage de la cuve (Fig. 5) ;
- Unité de l'axe (Fig. 2) ;
- Plaque rotative du couvercle de la cuve et l'axe de mélange (Fig. 6) ;
- Unité de l'axe de l'engrenage (Fig. 3) ;
- Unité de réglage de la vitesse (Fig. 7)

**Fig. 1 : Système d'engrenage, support pour la cuve et support de l'appareil**

222836/222966:



Pièce n°	Dénomination d'une pièce	Quantité	Pièce n°	Dénomination d'une pièce	Quantité
1	Capot de palier	1	22	Relais minuterie	1
2	Vis (M6X16)	4	23	Relais	2
3	Capot	1	24	Condensateur	1
4	Palier 6202	1	25	Microrupteur	3
5	Capot central	1	26	Joint de câble	1
6	Capot	2	27	Colonne verticale	1
7	Vis (M5X16)	1	28	Planche de colonne verticale	1
8	Capot haut	1	29	Bras complet	1
9	Capot	1	30	Manchon (pour micro-inter-rupteur)	1
10	Vis (M5X8)	5	31	Écrou borgne (M8)	2
11	Palier 6001	1	32	Écrou (M8)	4
12	Capot	1	33	Vis de cylindre	2
13	Interrupteur	1	34	Poignée fixe	2
14	Capot arrière	1	35	Ressort de poignée fixe	2
15	Vis (M6X35)	4	36	Vis (M8X60)	2
16	Plaque antisouris	1	37	Pince plate	2
17	Tableau électrique	1	38	Vis (M6X16)	6
18	Transformateur	1	39	Vis (M4X8)	2
19	Bandes d'étanchéité pour boîtiers électriques	1	40	Rack de microrupteurs	2
20	Vis (M5X8)	4	41	Corps	1
21	Boîtier électrique	1	42	Interrupteur surchargé	1



Pièce n°	Dénomination d'une pièce	Quantité	Pièce n°	Dénomination d'une pièce	Quantité
1	Corps	1	24	Joint de câble	1
2	Capot de palier	1	25	Condensateur	1
3	Capot	2	26	Vis en cuivre (M5X12)	1
4	Palier (6003)	1	27	Colonne verticale	1
5	Capot	3	28	Planche de colonne verticale	1
6	Vis (M6X45)	1	29	Vis (M4X8)	2
7	Capot haut	1	30	Vis (M6X16)	6
8	Vis (M5X8)	7	31	Planche de colonne verticale	1
9	Capot	1	32	Bras	1
10	Capot central	1	33	Manchon (pour micro-interrupteur)	1
11	Palier (6201)	2	34	Écrou borgne (M8)	2
12	Vis (M6X14)	4	35	Écrou (M8)	2
13	Rondelle élastique 6	4	36	Vis de cylindre	2
14	Interrupteur	1	37	Poignée fixe	2
15	Capot arrière	1	38	Ressort de poignée fixe	2
16	Vis (M6X35)	4	39	Vis (M8X60)	2
17	Plaque antisouris	1	40	Bloc en plastique	1
18	Tableau électrique	1	41	Pince plate	2
19	Relais	2	42	Vis (M8X25)	4
20	Bandes d'étanchéité pour boîtiers électriques	1	43	Rack de microinterrupteurs	1
21	Boîtier électrique	1	44	Microinterrupteur	2
22	Relais minuterie	1	45	Interrupteur surchargé	1
23	Transformateur	1			

**Fig. 2 : Unité de l'axe**  
222836/222966:

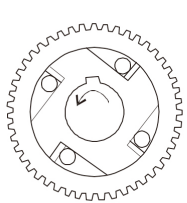
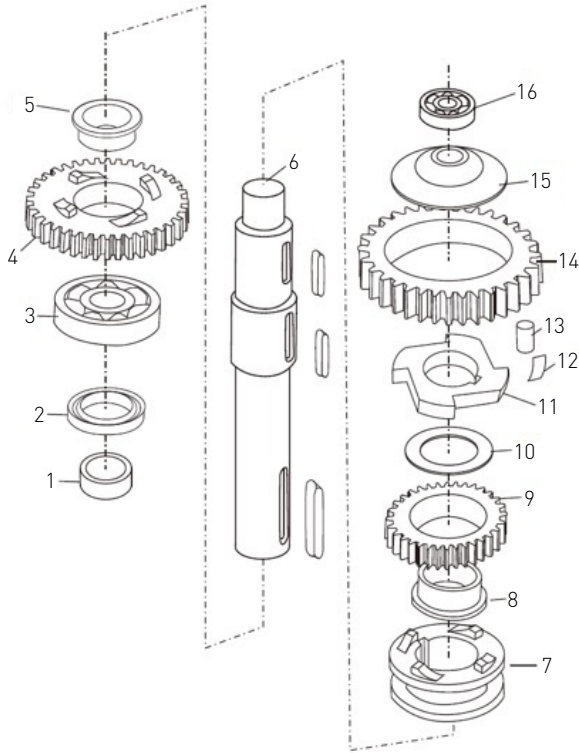


Fig. 2-1

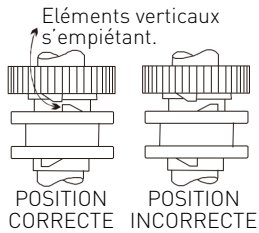


Fig. 2-2

Attention:

1. Rappelez-vous de monter les pièces dans les lieux appropriés et de lubrifier les tiges présentes sur la Fig. 2-1.
2. Vérifiez qu'après la réinstallation de l'appareil le joint d'étanchéité à l'huile se trouve dans la position correcte.

Pièce n°	Dénomination d'une pièce	Quantité
1	Capot	1
2	Joint d'étanchéité à l'huile	1
3	Palier (6204)	1
4	Engrenage de coupleur	1
5	Palier	1
6	Axe central	1
7	Coupleur	1
8	Palier	1
9	Petite couronne dentée	1
10	Bague de séparation	1
11	Actionneur	1
12	Ressort	1
13	Rouleau	1
14	Grande couronne dentée	1
15	Capot	1
16	Palier (6001)	1



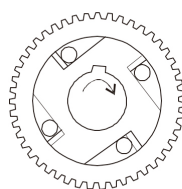
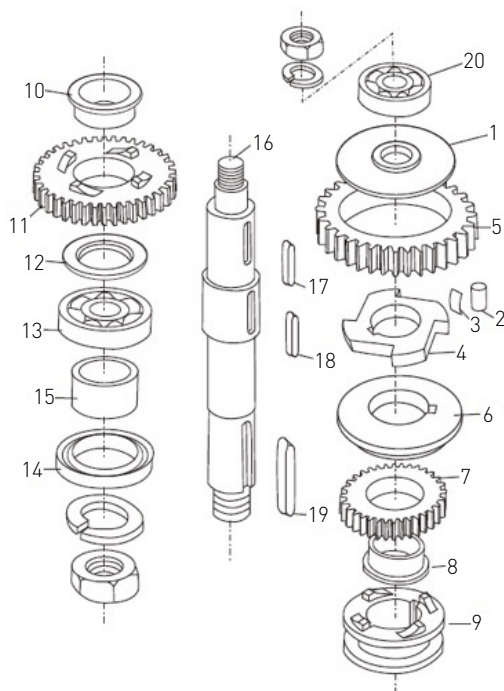


Fig. 2-1

Les côtés verticaux des mâchoires doivent se faire face.

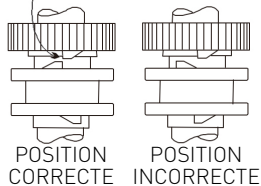


Fig. 2-2

#### Attention:

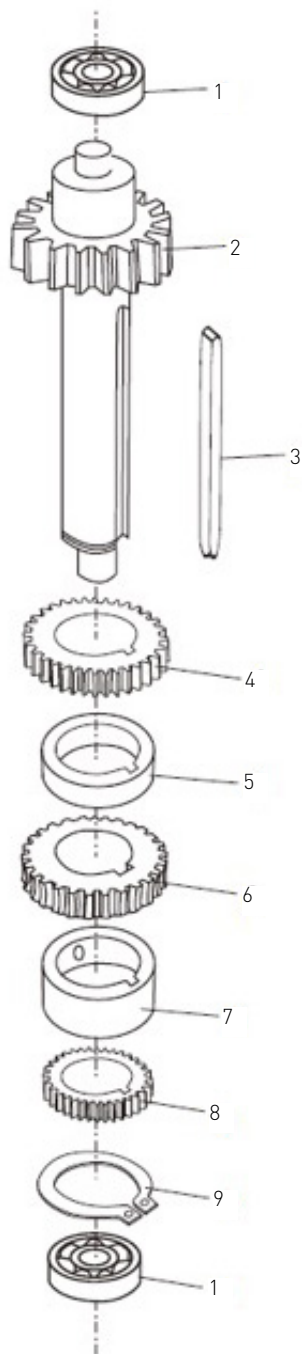
1. Rappelez-vous de monter les pièces dans les lieux appropriés et de lubrifier les tiges présentes sur la Fig. 2-1.
2. Vérifiez qu'après la réinstallation de l'appareil le joint d'étanchéité à l'huile se trouve dans la position correcte.

Pièce n°	Dénomination d'une pièce	Quantité
1	Capot	1
2	Rouleau	1
3	Ressort	1
4	Actionneur	1
5	Couronne dentée	1
6	Bague de séparation	1
7	Engrenage supérieur	1
8	Bague de palier	1
9	Bague d'embrayage	1
10	Bague de palier	1
11	Engrenage inférieur	1
12	Bague	1
13	Palier {6205}	1
14	Joint d'étanchéité à l'huile {30X45X10}	1
15	Douille à sertir	1
16	Axe central	1
17	Clé {6X14}	1
18	Clé {5X35}	1
19	Clé {6X30}	1
20	Palier {6003}	1



**Fig. 3 : Unité de l'axe de l'engrenage**

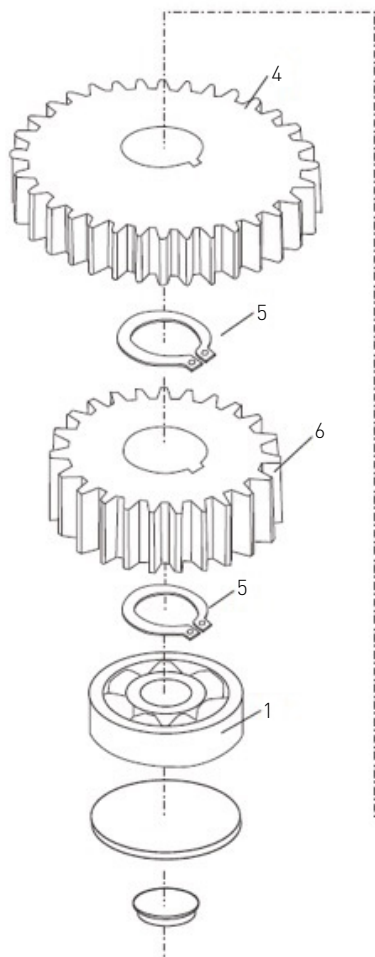
222836/222966:



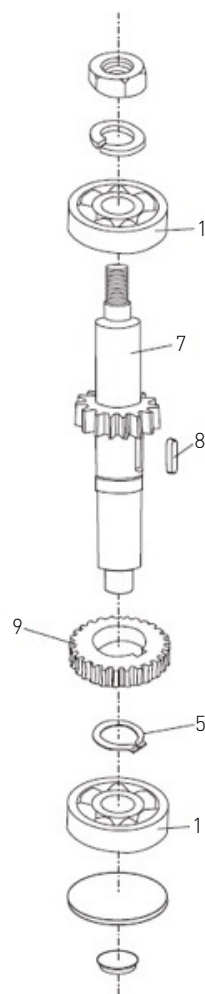
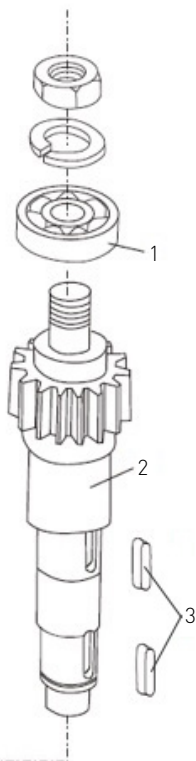
Pièce n°	Dénomination d'une pièce	Quantité
1	Palier (6001)	2
2	Axe de transmission grande vitesse	1
3	Clé (5X58)	1
4	Engrenage haut	1
5	Petite douille à sertir	1
6	Engrenage inférieur	1
7	Grande douille à sertir	1
8	Engrenage bas	1
9	Circlip	1

Remarque : Assurez-vous que dans chaque engrenage il y a des clavettes.





Axe de transmission double

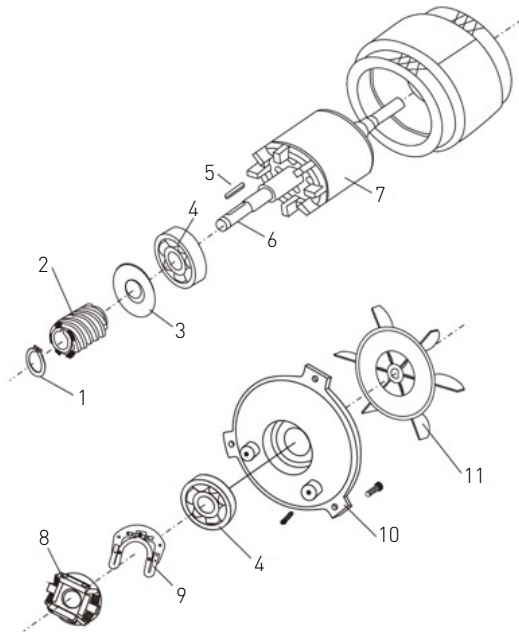


Axe de transmission simple

Pièce n°	Dénomination d'une pièce	Quantité	Pièce n°	Dénomination d'une pièce	Quantité
1	Palier (6201)	4	6	Engrenage inférieur	1
2	Axe de transmission double	1	7	Axe de transmission simple	1
3	Clé (5X11)	2	8	Clé (5X14)	1
4	Engrenage supérieur	1	9	Engrenage	1
5	Circlip	3			

Remarque : Assurez-vous que dans chaque engrenage il y a des clavettes.

Fig. 4 : Unité du moteur



Pièce n°	Dénomination d'une pièce	Quantité	Pièce n°	Dénomination d'une pièce	Quantité
1	Bague d'arrêt [222843 uniquement]	1	7	Rotor	1
2	Spirale	2	8	Commutateur	1
3	Joint d'étanchéité à l'huile	1	9	Plaque d'interrupteur en plastique	1
4	Palier	1	10	Capot de palier	1
5	Clé (4x22)	1	11	Ventilateur	1
6	Axe	1			

FR

Fig. 4-1

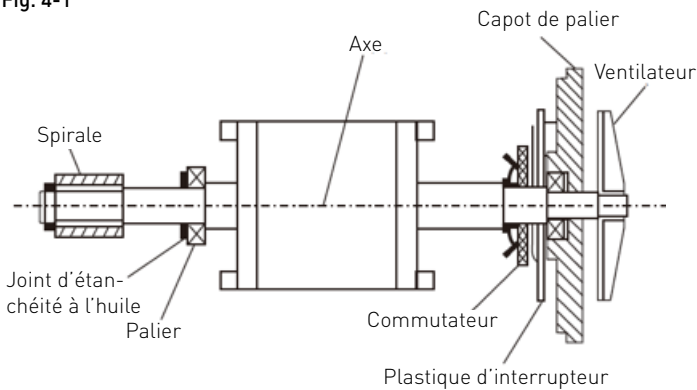
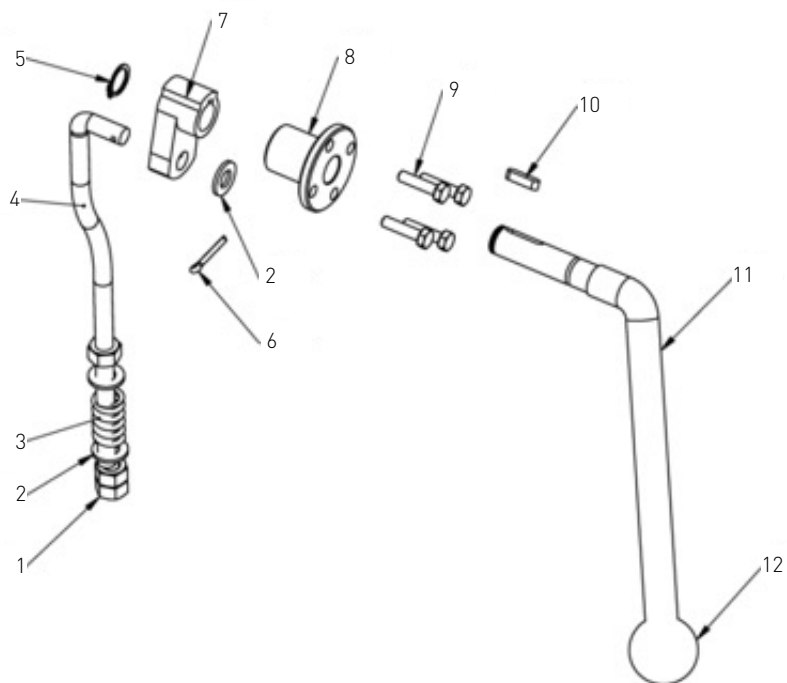


Fig. 5 : Unité de levage de la cuve



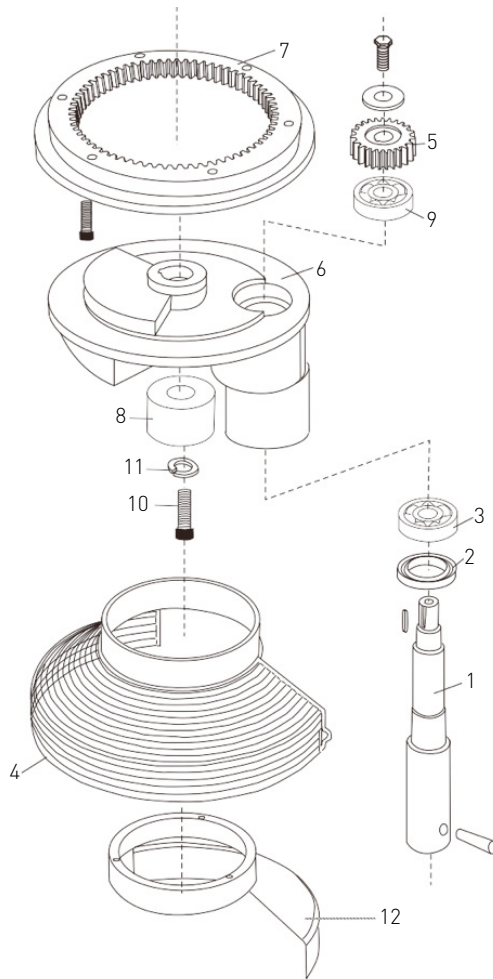
FR

Pièce n°	Dénomination d'une pièce	Quantité	Pièce n°	Dénomination d'une pièce	Quantité
1	Écrou (M10)	3	7	Roue à manivelle	1
2	Rondelle plate	2	8	Nœud de bride	1
3	Ressort de bras	1	9	Vis (M6X25)	4
4	Barre de levage	1	10	Clé (5x20)	1
5	Bague d'arrêt	1	11	Poignée de basculeur de cylindre	1
6	Goupille fendue	1	12	Bille plastique	1



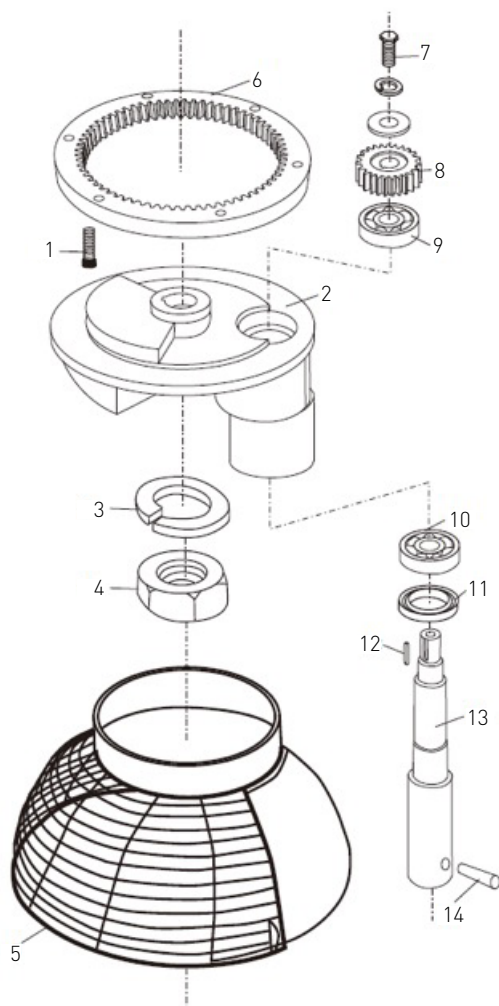
**Fig. 6 : Plaque rotative et l'axe de mélange**

222836/222966:



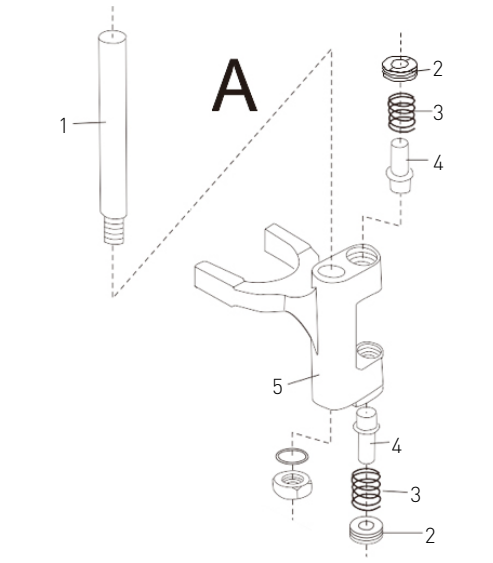
Pièce n°	Dénomination d'une pièce	Quantité	Pièce n°	Dénomination d'une pièce	Quantité
1	Axe mélangeur	1	7	Engrenage intérieur	1
2	Joint d'étanchéité à l'huile (20X40X10)	1	8	Capot	1
3	Palier	1	9	Palier	1
4	Protection de cylindre	1	10	Vis (M8X20)	1
5	Engrenage planétaire	1	11	Rondelle élastique	1
6	Plaque tournante	1	12	Capot arrière de protégé-cylindre	1



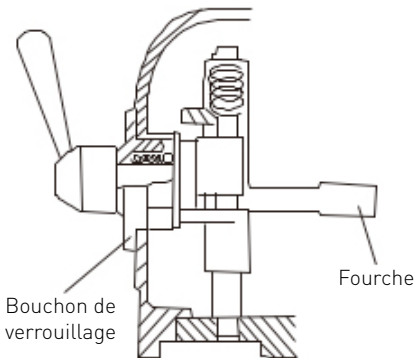
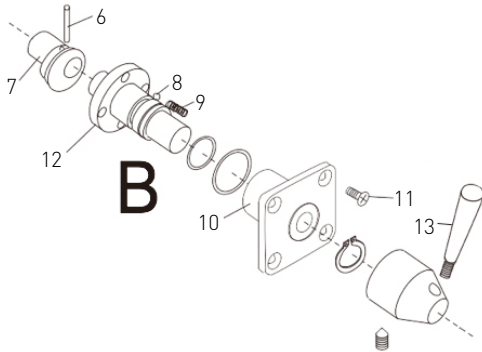


Pièce n°	Dénomination d'une pièce	Quantité	Pièce n°	Dénomination d'une pièce	Quantité
1	Vis (M6X25)	1	8	Bague d'arrêt	1
2	Plaque tournante	1	9	Palier (6203)	1
3	Rondelle élastique	1	10	Palier (6204)	1
4	Écrou (M18)	1	11	Joint d'étanchéité à l'huile (25X50X10)	1
5	Protection de cylindre	1	12	Clé (5X18)	1
6	Engrenage intérieur	1	13	Axe mélangeur	1
7	Vis (M8X15)	1	14	Goupille	1

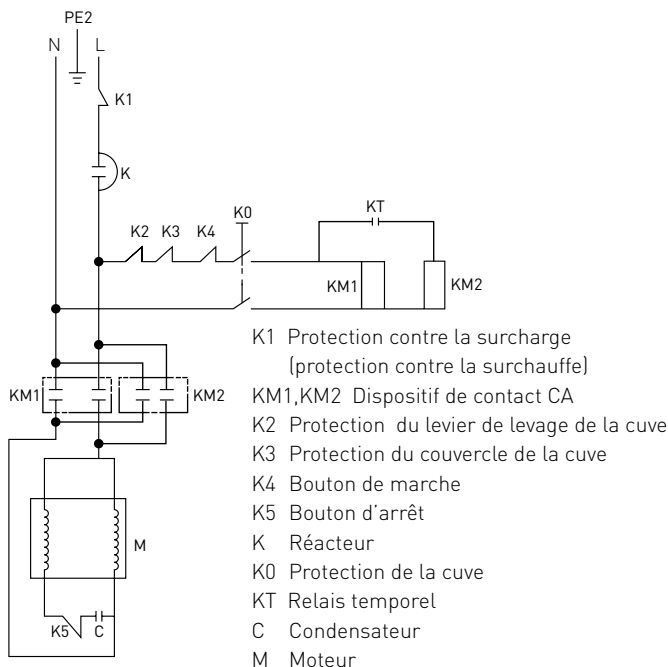
Fig. 7 : Unité de réglage de la vitesse



Pièce n°	Dénomination d'une pièce	Quantité	
A	1	Tige	1
	2	Écrou	1
	3	Ressort	1
	4	Arbre	1
	5	Fourche	1
B	6	Goupille (3X20)	1
	7	Nœud	1
	8	Roulement à billes en acier	3
	9	Ressort	3
	10	Capot de bloc	1
	11	Vis (M5X10)	1
	12	Arbre	1
	13	Levier	1



## Schéma électrique



FR

## Garantie

Tout vice ou toute défaillance entraînant un dysfonctionnement de l'appareil qui se déclare dans les 12 mois suivant la date de l'achat sera éliminé à titre gratuit ou l'appareil sera remplacé par un appareil nouveau si le premier a été dûment exploité et entretenu conformément aux termes de la notice d'exploitation et s'il n'a pas été indûment exploité ou de manière non conforme à sa destination. La présente stipulation ne porte pas de préjudice aux autres droits de l'utilisateur prévus par les dispositions légales. Dans le cas où l'appareil est donné à la réparation ou doit être remplacé

dans le cadre de la garantie, il y a lieu de spécifier le lieu et la date de l'achat de l'appareil et produire un justificatif nécessaire (par ex. facture ou ticket de caisse).

Conformément à notre politique d'amélioration permanente de nos produits, nous nous réservons le droit d'introduire sans avertissement préalable des modifications à l'appareil, à l'emballage et aux caractéristiques techniques précisées dans la documentation.

## Élimination et protection de l'environnement

En cas de retrait du produit de l'exploitation l'appareil ne peut pas être jeté avec d'autres déchets ménagers. L'utilisateur est responsable de la remise de l'équipement au point de collecte approprié pour l'équipement usagé. Le non-respect des dispositions ci-dessus peut entraîner les pénalités conformément à la réglementation applicable en matière d'élimination des déchets. La collecte sélective et le recyclage des équipements usagés contribuent à la conservation des ressources na-

tuelles et assurent un recyclage sans danger pour la santé et l'environnement. Pour plus d'informations sur les endroits de collecte des équipements usagés pour le recyclage, contactez la société de collecte des déchets locale. Le producteur et l'importateur ne sont pas responsables du recyclage et du traitement des déchets d'une manière respectueuse de l'environnement directement et dans le système public.





Gentile cliente,

grazie per aver acquistato questo apparecchio Hendi. Ti invitiamo a leggere queste istruzioni per l'uso con attenzione prima di collegare l'apparecchio al fine di evitare danni dovuti a uso improprio. Ti invitiamo inoltre a prestare particolare attenzione alle precauzioni di sicurezza.

## Precauzioni di sicurezza

- L'uso scorretto e improprio dell'apparecchio possono danneggiare seriamente l'apparecchio e ferire gli utenti.
- Questo apparecchio non è destinato all'uso domestico.
- L'apparecchio può essere utilizzato solo per lo scopo per cui è stato concepito e progettato. Il produttore non è responsabile di eventuali danni provocati da uso scorretto ed improprio.
- Tenere l'apparecchio e la spina elettrica lontani da acqua ed altri liquidi. Nel caso improbabile che l'apparecchio cada in acqua, staccare immediatamente la spina dalla presa e fare ispezionare l'apparecchio da un tecnico certificato. L'inosservanza delle presenti istruzioni può dare luogo a situazioni pericolose
- Non provare mai ad aprire l'involucro dell'apparecchio da soli.
- Non inserire oggetti nell'involucro dell'apparecchio.
- Non toccare la presa con le mani bagnate o umide.
- ⚠ **Pericoli di scosse elettriche!** Non tentare di riparare l'apparecchio da solo. Eventuali difetti e malfunzionamenti devono essere rimossi soli da personale qualificato.
- **Non usare l'apparecchio danneggiato!** L'apparecchio difettoso deve essere immediatamente scollegato dalla rete e contattare il rivenditore.
- **Attenzione:** Non immergere parti elettriche in acqua o altri liquidi. Non mettere l'apparecchio sotto l'acqua corrente.
- Controllare regolarmente se la spina e il cavo di alimentazione non sono danneggiati. La spina o il cavo danneggiati trasmettere al servizio o alla persona qualificare per riparare, per evitare eventuali pericoli e lesioni.
- Assicurarsi che il cavo di alimentazione non è in contatto con oggetti appuntiti o caldi. Tenere il cavo lontano da fiamme libere. Per scollegare la spina dalla presa, tirare sempre la spina, mai il cavo.
- Proteggere il cavo di alimentazione (o di estensione) per la sconnessione accidentale dalla presa. Disporre il cavo in modo per evitare lo slittamento accidentale.
- Sorvegliare l'apparecchio continuamente durante l'uso.
- **Attenzione!** Se la spina è inserita nella presa, l'apparecchio è considerato come collegato.
- Prima di rimuovere la spina dalla presa, spegnere l'apparecchio!
- Non trasportare l'apparecchio tenendo il cavo di alimentazione.
- Non utilizzare qualsiasi accessorio che non è stato fornito con l'apparecchio.
- L'apparecchio deve essere collegato ad una presa con tensione e frequenza indicate sulla targhetta.


IT



- Inserire la spina nella presa situata in un punto facilmente accessibile in modo che in caso di guasto sia possibile scollegare immediatamente l'apparecchio. Per spegnere completamente l'apparecchio, scollegarlo dalla presa di corrente. Per questo staccare la spina che si trova sull'estremità del cavo di alimentazione.
- Prima di scollegare la spina, ricordarsi sempre di spegnere l'apparecchio!
- Non usare gli accessori non raccomandati dal produttore. L'uso di accessori non raccomandati può creare i rischi per l'utente e provocare i danni all'apparecchio. Usare unicamente solo pezzi ed accessori originali.
- L'installazione elettrica deve soddisfare le normative nazionali e locali applicabili. Questo apparecchio non è destinato all'uso da parte di persone (inclusi i bambini) con capacità fisiche, sensoriali o mentali ridotte, o senza esperienza e conoscenza.
- Non permettere ai bambini di utilizzare l'apparecchio.
- Tenere l'apparecchio con il cavo fuori dalla portata dei bambini.
- Non permettere ai bambini di giocare con l'apparecchio.
- Scollegare l'apparecchio dalla rete se esso deve essere lasciato incustodito e prima del montaggio, dello smontaggio o della pulizia.
- Non lasciare l'apparecchio incustodito durante l'utilizzazione.

---

## Norme speciali di sicurezza

- Utilizzare l'apparecchio solo in conformità con le presenti istruzioni
- L'apparecchio deve essere installato o utilizzato unicamente da personale di cucina addestrato in punti di industria alimentare per esempio quei che forniscono i servizi di catering, in pasticcerie, pizzerie, e altri punti di industria di pasticceria.
- Tutte le operazioni di manutenzione, di installazione e la riparazione dell'apparecchio devono essere eseguite da un personale qualificato o autorizzato.
-  Sul retro dell'apparecchio c'è una presa per il collegamento equipotenziale trasversale di un altro dispositivo.
- Non posizionare l'apparecchio sull'oggetto che emette calore (cucina a gas, elettrica grill ecc.). Tenere l'apparecchio lontano da qualsiasi superfici calde o fiamme libere. Posizionare l'apparecchio su una superficie stabile, pulita, asciutta e resistente alle alte temperature.
- Non usare vicino all'apparecchio i materiali infiammabili e esplosivi, carte di pagamento, dischi magnetici o radio.
- Se necessario, durante il funzionamento utilizzare indumenti protettivi, maschera o occhiali.
- L'apparecchio non è progettato per funzionare tramite un timer esterno o un sistema di telecomando separato.
- Non intervenire sugli elementi di sicurezza.
- **AVVERTENZA:** Non ostruire le aperture di ventilazione.
- **AVVERTENZA:** Ricordarsi **SEMPRE** di spegnere e scollegare l'apparecchio dalla presa di corrente prima della pulizia, manutenzione o sostituzione di accessori.

- Assicurare almeno 30 cm di spazio intorno all'apparecchio per garantire una ventilazione adeguata.
- **Attenzione!** Far passare il cavo di alimentazione per evitare trazione accidentale o contatto con la piastra di riscaldamento.
- **ATTENZIONE!** Ricordarsi SEMPRE di non indossare abiti larghi, non toccare le parti in movimento con le mani e legare i capelli.
- Durante il funzionamento dell'apparecchio non mettere le mani sotto la copertura della ciotola.
- Non mettere nella ciotola troppi ingredienti per evitare il versamento del contenuto. La ciotola può contenere fino a 10 litri (modello 222836, 222966) o 20 litri (modello 222843, 222973).
- Non lavare l'apparecchio con acqua o un forte getto di acqua. La pulizia dell'apparecchio con l'acqua può causare la penetrazione nei componenti elettrici e causare una scossa elettrica. Le parti dell'apparecchio non possono essere lavate in lavastoviglie.
- Non pulire l'apparecchio o stoccarlo in deposito prima di raffreddamento completo.
- Mantenere la prudenza durante il trasferimento dell'apparecchio a causa del suo peso. L'apparecchio deve essere trasportato da due persone o spostato sul carrello. Spostare l'apparecchio lentamente, con attenzione non inclinandolo sotto angolo superiore a 45°.

---

#### Destinazione del dispositivo

- Questo apparecchio è destinato all'uso professionale e può essere utilizzato solo da personale qualificato.
- Il dispositivo è destinato all'uso commerciale e serve a mescolare, impastare, emulsionare / frullare i prodotti alimentari in punti di industria

alimentare e nei negozi. L'uso del dispositivo per qualsiasi altro scopo può causare danni o lesioni.

- L'uso del dispositivo per qualsiasi altro scopo sarà considerato un uso improprio. L'utente sarà l'unico responsabile per l'uso scorretto del dispositivo.

---

#### Messa a terra

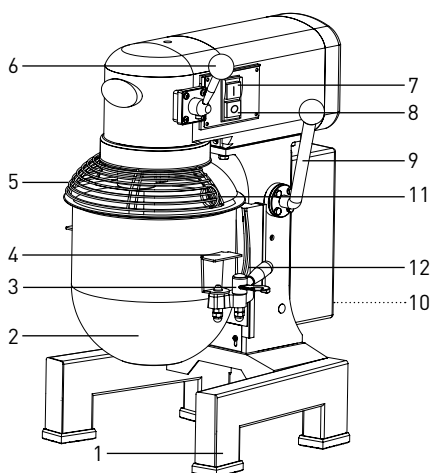
Il mixer planetario è l'apparecchio della I classe di protezione e deve esser messa a terra. La messa a terra riduce il rischio di scosse elettriche grazie al cavo evacuante il corrente elettrico. L'apparecchio

è dotato di un cavo con una messa a terra. Non inserire la spina nella presa di corrente se l'apparecchio non è stato correttamente installato o messo a terra.

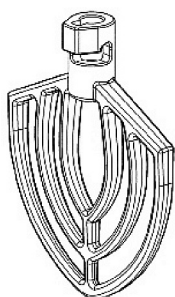


## Elementi principali dell'apparecchio

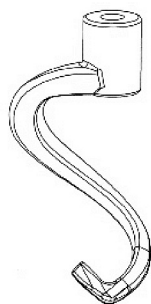
1. Supporto stabile dell'apparecchio
2. Ciotola
3. Morsetti della ciotola (x 2)
4. Maniglie della ciotola (x 2)
5. Copertura della ciotola
6. Manopola di controllo di velocità (3 velocità per 3 accessori)
7. Pulsante di avviamento (pulsante VERDE, I)
8. Pulsante di spegnimento (pulsante rosso, 0)
9. Leva di sollevamento / abbassamento della ciotola
10. Pulsante RESET (sulla parte posteriore)
11. Maniglia della copertura della ciotola
12. Supporto della ciotola



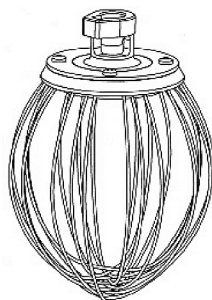
## Accessori



Miscelatore piatto



Impastatore



Frusta

## Prima dell'installazione

- Svitare con cautela le viti di fissaggio dell'apparecchio sull'elemento di supporto e se necessario, con una chiave inglese
- Rimuovere e eliminare l'imballaggio e le protezioni.
- Controllare l'apparecchio e gli accessori per la completezza ed eventuali danni durante il trasporto. In caso di consegna incompleta (ad es. accessori che mancano) o di danni contattare il fornitore (vedere ==> Garanzia).
- Pulire tutte le parti secondo le istruzioni (Vedere ==> Pulizia e manutenzione).
- Verificare che il prodotto è completamente asciutto.
- Conservare l'imballaggio per un eventuale stoccaggio dell'apparecchio se non è utilizzato per un lungo periodo di tempo.

---

## Installazione

- Leggere attentamente le istruzioni prima dell'installazione e dell'utilizzazione l'apparecchio.
- Assicurarsi che l'apparecchio è stato posizionato su una superficie asciutta, resistente, in un luogo che permette un facile accesso all'apparecchio.
- Controllare se le caratteristiche dell'apparecchio sulla targhetta corrispondono ai parametri della presa di corrente a cui l'apparecchio deve essere collegato.
- Intorno al mixer conservare abbastanza spazio

perché l'operatore possa facilmente utilizzare l'apparecchio. Intorno all'apparecchio non si possono trovare gli oggetti come pelatrici, coltelli ecc.

- Durante il funzionamento non indossare abiti larghi, per esempio scarpe ecc. legare i capelli e non mettere le parti del corpo vicino ai componenti in movimento.

**ATTENZIONE!** Non staccare mai l'interruttore di sicurezza.

---

## Trasporto e funzionamento dell'apparecchio

- Non spostare l'apparecchio durante il suo funzionamento.
- Se si vuole spostare l'apparecchio in un altro luogo, staccare la spina dalla presa di corrente, togliere la ciotola (2), scollegare gli accessori (frusta, miscelatore piatto o impastatore).

- Durante lo spostamento tenere la base dell'apparecchio (1).

- A causa del suo peso l'apparecchio deve essere trasportato da due persone o spostato sul carrello.

---

## Elementi di sicurezza particolari

**Nota:** L'apparecchio è dotato di tre elementi di sicurezza. L'apparecchio può essere avviato solo quando tutti i dispositivi di sicurezza sono nelle posizioni corrette.

- Protezione della ciotola: L'apparecchio può essere avviato solo quando la ciotola è stata messa correttamente sul supporto.
- Protezione della copertura della ciotola (5): L'apparecchio può essere avviato solo quando la copertura della ciotola (5) è stata bene fissata e bloccata.

- Protezione della leva di sollevamento / di abbassamento della ciotola (9) L'apparecchio può essere avviato solo quando la leva (9) si trova nella posizione superiore.

Durante il funzionamento non indossare abiti larghi, per esempio scarpe ecc. legare i capelli e non mettere le parti del corpo vicino ai componenti in movimento.

---

## Funzionamento

**Per evitare lesioni del corpo:**

- **NON** utilizzare **MAI** l'apparecchio prima di leggere le istruzioni per l'uso.
- Ricordarsi **SEMPRE** di spegnere l'apparecchio (premendo il pulsante ROSSO „0“ (8)) e scollegare l'apparecchio dalla presa di corrente prima

della pulizia, manutenzione, riparazione o sostituzione degli accessori.

- Ricordarsi **SEMPRE** di non indossare abiti larghi, non toccare le parti in movimento con le mani e legare i capelli.

### a) Copertura della ciotola

**Nota:** Se la copertura della ciotola (5) è aperta, non è stata ben fissata e chiusa, l'apparecchio non si avvia.

1. Per aprire la copertura della ciotola (5), tenere la maniglia della copertura (11) e ruotare in senso orario. Per chiudere la copertura della ciotola (5), tenere la maniglia della copertura (11) e ruotare in senso antiorario.

2. Quando la maniglia della copertura della ciotola (11) si trova in linea con il lato destro dell'apparecchio, la copertura della ciotola (5) è in una buona posizione e si può iniziare il lavoro.



## b) Fissare la ciotola (2) dell'apparecchio

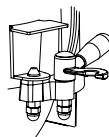
Nota: Fissare la ciotola dell'apparecchio (2) PRIMA di installare tutti gli accessori. Utilizzare unicamente la ciotola (2) fornita con l'apparecchio.

1. Abbassare il supporto della ciotola (2) utilizzando la leva (9), dirigendola verso il basso fino a quando la ciotola si ferma. Il supporto della ciotola (12) deve essere in una posizione inferiore.

2. Posizionare con cautela e lentamente la ciotola (2) sul supporto utilizzando le maniglie (4) che si trovano su entrambi i lati e poi

i) Posizionare il perno di bloccaggio nel foro che si trova al centro del supporto della ciotola (12) e

ii) Proteggere la ciotola (2), tirando i morsetti della ciotola (3) verso l'alto fino a quando la ciotola si blocca (2)



## c) Installare gli accessori adeguati (miscelatore piatto, impastatore o frusta)

Nota: È più confortabile installare gli accessori prima di mettere gli ingredienti nella ciotola (2).

1. Ruotare in senso orario delicatamente la copertura della ciotola (5) utilizzando la maniglia della copertura della ciotola, per spostarla nella posizione aperta.

2. **NOTA!** La forza eccessiva durante l'apertura o la chiusura della copertura della ciotola (6) può danneggiare il microinterruttore dell'elemento di sicurezza. Fare attenzione durante l'apertura e la chiusura della copertura della ciotola (5).

3. Inserire lentamente gli accessori (miscelatore piatto, impastatore o frusta) nell'albero del mixer planetario inserendo il perno dell'albero attraverso il foro nell'accessorio.

4. Ruotare l'accessorio per bloccarlo nell'albero del mixer planetario.

## d) Versamento e miscelazione degli ingredienti

Nota: Seguire le istruzioni riportate nella tabella che definisce la quantità massima di ingredienti corrispondente alla capacità della ciotola. Se si riempisce la ciotola al di sopra della sua capacità, la perdita può essere provocata e in conseguenza i danni all'apparecchio.

**INFORMAZIONI IMPORTANTI:** Assicurarsi che la manopola di controllo della velocità (6) è posizionata nella posizione „Impastatore“.

1. Mettere gli ingredienti nella ciotola (2).

2. Spostare la leva di sollevamento / abbassamento della ciotola (9) verso la posizione superiore fino a quando la ciotola (2) si trova nella posizione corretta.

3. Ruotare la copertura della ciotola (5) in senso antiorario, fino a quando si blocca.

**Nota:** L'apparecchio non si avvia se la copertura della ciotola (5) è aperta / non è stata adeguatamente bloccata o se la ciotola (2) non si trova nella posizione inferiore.

## e) Impostare la velocità, installare l'accessorio e avviare l'apparecchio

1. Poi selezionare una velocità di miscelazione adeguata utilizzando la manopola di controllo di velocità (6). Ci sono tre velocità possibili per tre accessori diversi:

Velocità di miscelazione	Tipo di ingrediente
Impastatore (bassa)	lorido: miscelazione dell'impasto per pizza, pane, pasta
Miscelatore piatto (media)	lorido medio: secondo grado di miscelazione ad es. dell'impasto per dolci.
Frusta (alta)	leggere: per montare la panna, albumi di uova, meringhe.

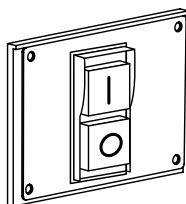
2. Poi premere il pulsante **VERDE** „I” (7), per **avviare** l'apparecchio. Premere il pulsante **ROSSO** „0” (8) per **SPEGNERE** l'apparecchio.

L'apparecchio inizierà la miscelazione in senso orario in caso di modello 222843 e in senso antiorario in caso di modello 222836.

3. **NOTA!** Prima di cambiare la velocità spegnere **SEMPRE** l'apparecchio. La modifica della velocità senza spegnere l'apparecchio può danneggiare la struttura interna dell'apparecchio.

**INFORMAZIONI IMPORTANTI** Utilizzare **SEMPRE** l'accessorio raccomandato e l'impostazione della velocità in conformità con la tabella di capacità e le istruzioni che si trovano vicino alla manopola di controllo della velocità (6).

**NOTA:** Durante il versamento degli ingredienti (2) fare attenzione a polvere e farina che fuoriescono dagli imballaggi aperti. Se necessario, mettere gli occhiali di protezione.



4. Per cambiare la velocità durante il funzionamento:

- 1) Premere il pulsante **ROSSO** „0” (8), per spegnere l'apparecchio.
- 2) Scollegare la spina e cambiare accessorio [Vedere ==> parte c]
- 3) Selezionare la velocità di miscelazione appropriata ad un accessorio utilizzando la manopola di controllo della velocità (6).
- 4) Premere il pulsante **VERDE** „I” (7), per riavviare l'apparecchio.

## Resettare il fusibile termico (protezione contro il surriscaldamento)

Ricordarsi che il pulsante **RESET** del fusibile termico (10) si trova nella parte posteriore dell'apparecchio.

- Prima scollegare l'apparecchio dalla presa di corrente

- Lasciare l'apparecchio raffreddare completamente.
- Premere il pulsante **RESET** (10) del fusibile termico (protezione contro il surriscaldamento).
- Poi collegare di nuovo l'apparecchio ad una fonte di alimentazione e premere l'interruttore.



## Tabella di capacità che definisce la quantità massima di ingredienti

La tabella seguente ha un carattere di riferimento e determina la quantità massima che si può utilizzare per preparare diversi tipi di cibo. Ci sono alcuni fattori variabili ad es. il tipo di farina utilizzata, la temperatura di acqua ecc.

Prodotto	Accessorio	Max. quantity			
		222836	222966	222843	222973
Bianco d'uovo	Frusta	1,0 kg		1,5 kg	
Purè di patate	Miscelatore piatto	2,0 kg		2,5 kg	
Meringhe (quantità di acqua)	Frusta	1,5 litra		2,0 litri	
Impasto per frittelle o crepe	Miscelatore piatto	2,5 litri		3,0 litri	
Panna montata	Frusta	3,5 litri		4,0 litri	
Impasto per pizza (densità media, 50% dell'acqua)	Impastatore	2,0 kg		2,5 kg	
Impasto per pizza (denso, 60% dell'acqua)	Impastatore	2,5 kg		3,0 kg	
Pan di Spagna	Frusta	1,5 kg		2,0 kg	
Impasto per una torta	Miscelatore piatto	2,0 kg		2,5 kg	
Impasto per pane, panini (leggere/densità media 60% dell'acqua)	Impastatore	Acqua 1,5 kg / Farina 2,5 kg		Acqua 3,0 kg / Farina 5,0 kg	



## Pulizia e manutenzione

**Nota:** Prima di pulire l'apparecchio. Scollegare l'apparecchio dalla fonte di alimentazione, aprire la porta scorrevole di vetro e aspettare fino a quando raffredda completamente.

### Pulizia

- Prima della pulizia dell'apparecchio scollegare sempre gli accessori, altrimenti possono bloccare l'albero e saranno difficili da rimuovere.
- Dopo ogni utilizzo pulire accuratamente l'apparecchio e gli accessori e assicurarsi che sono stati rimossi tutti i resti di cibo.
- Non immergere tutto l'apparecchio in acqua o in altri liquidi.
- Pulire le superfici esterni dell'apparecchio con un panno umido o una spugna con una piccola quantità di una soluzione di detergente.
- Non utilizzare per la pulizia delle parti interiori e esteriori dell'apparecchio spugne abrasive, detersivi abrasivi o strumenti di lana d'acciaio o di metallo.
- NON lavare l'apparecchio con acqua o un forte getto di acqua. La pulizia dell'apparecchio con l'acqua può causare la penetrazione nei componenti elettrici e causare una scossa elettrica.
- Le parti dell'apparecchio non possono essere lavate in lavastoviglie.

Recommended cleaning procedure:

Elemento	Pulizia	Frequenza
Ciotola	Utilizzando un panno umido o una spugna con una piccola quantità di una soluzione di detergente lavare, disinfettare e asciugare accuratamente.	Dopo ogni l'utilizzo.
Accessori (impastatrice, miscelatore piatto e Frusta)	Lavare a mano con una soluzione di detergente delicato, pulire, disinfettare, asciugare accuratamente.	Dopo ogni l'utilizzo.
Copertura della ciotola	Lavare a mano con un panno umido o una spugna con una piccola quantità di una soluzione di detergente lavare, disinfettare e asciugare accuratamente	Dopo ogni l'utilizzo.
Superficie esterna	Lavare con un panno umido con una piccola quantità di una soluzione di detergente lavare, disinfettare e asciugare accuratamente. Non usare i getti d'acqua	Due volte per settimana
Albero del meccanismo planetario	Lavare con un panno umido con una piccola quantità di una soluzione di detergente lavare, disinfettare e asciugare accuratamente.	Dopo ogni l'utilizzo.

### Stoccaggio

- Prima di pulire l'apparecchio e posizionare l'apparecchio in un luogo lo stoccaggio, scollegarlo dalla presa elettrica e attendere fino a che raffredda completamente.
- Conservare in un luogo fresco, asciutto e pulito.



## Risoluzione dei problemi

Se l'apparecchio non funziona correttamente, leggere la tabella qui sotto per trovare la soluzione corretta. Se non è possibile risolvere il problema, contattare il rivenditore. Non riparare MAI da soli l'apparecchio.

Problema	Causa possibile	Soluzione possibile
L'apparecchio non si avvia	La copertura della ciotola (5) non si trova nella posizione corretta (bloccata).	Ruotare la copertura della ciotola (5) a destra fino a che si trova nella posizione giusta (bloccata).
	La ciotola (2) non è stata sollevata abbastanza e non si trova nella posizione corretta.	Sollevare la ciotola (2) nella posizione giusta utilizzando la leva (9).
	La spina non è correttamente collegata ad una fonte di alimentazione.	Verificare che la spina è correttamente collegata alla presa di corrente.
L'apparecchio si arresta durante il funzionamento	La protezione interna contro il surriscaldamento si è attivata.	Premere il pulsante ROSSO „0“ (8), scollegare l'apparecchio dalla presa di corrente e lasciare raffreddare completamente, premere il pulsante RESET (10) che si trova sulla parte posteriore dell'apparecchio.
	La cinghia di trasmissione è stata danneggiata o distrutta.	Contattare il fornitore.
L'apparecchio fa rumore	L'apparecchio non è posizionato su una superficie orizzontale.	Posizionare su una superficie orizzontale o spostare l'apparecchio su un'altra superficie orizzontale.
	La ciotola (2) è troppo rumorosa.	Assicurarsi che la ciotola (2) è stata correttamente posizionata sul supporto con i perni di bloccaggio (12) correttamente posizionati.
	Gli accessori non sono stati bene installati.	Rimuovere gli accessori e installarli correttamente
	Troppi ingredienti nella ciotola	Diminuire la quantità di ingredienti.
	La cinghia di trasmissione è stata danneggiata o distrutta.	Contattare il fornitore.
	La trasmissione planetaria deve essere lubrificata.	
Installazione degli accessori nell'albero planetario è difficile	L'albero planetario non è sufficientemente lubrificato e/o deve essere pulito.	Pulire l'albero con un panno umido e lubrificare l'albero con olio minerale o grasso.
La leva di sollevamento / abbassamento della ciotola (9) si blocca.	La quantità insufficiente di grasso sui lati della ciotola	Lubrificare i lati della ciotola con olio minerale o grasso.

## Specifiche tecniche

Prodotto numero	222836	222966	222843	222973
Tensione e frequenza:	220 – 240 V~ 50/60Hz			
Consumo di energia	600W		1100W	
Peso netto (circa.):	53kg		78kg	
Classe di protezione:	Classe I			
Classe di resistenza all'acqua	IP21			
Velocità rotativa (giri./min)	Impastatore	148	197	
	Miscelatore piatto	244	317	
	Frusta	480	462	
Capacità massima della ciotola	10L		20L	
Quantità massima di farina durante la miscelazione	2,5 kg		5,0 kg	
Livello di rumore massimo	< 70 dB (A)			
Dimensioni esterni	480 x 400 x (H) 630mm		560 x 500 x (H) 880mm	

**Nota:** Le specifiche tecniche sono soggette a modifiche senza preavviso.



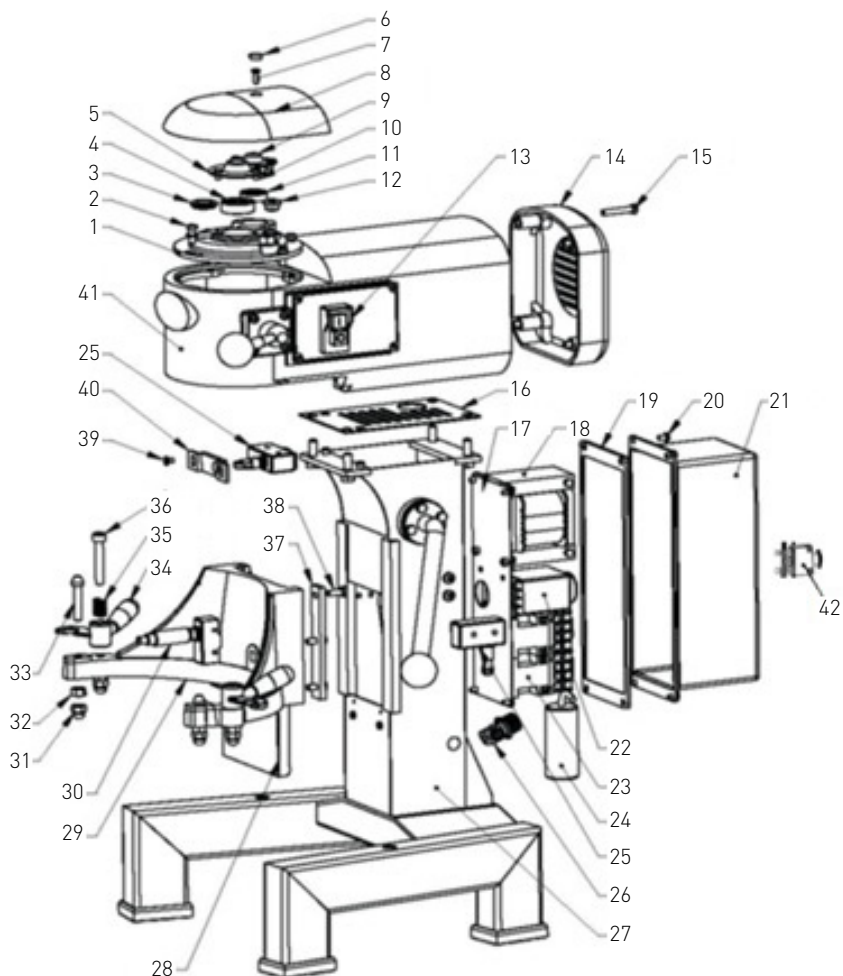
## Disegno complessivo e elenco di pezzi

**Nota:** Disegno complessivo e elenco di pezzi si compongono di parti seguenti:

- Nella parte superiore dell'apparecchio - Sistema di ingranaggio, supporto per la ciotola, supporto dell'apparecchio (Fig. 1);
- Unità dell'asse (Fig. 2);
- Unità dell'asse dell'ingranaggio (Fig. 3);
- Unità del motore (Fig. 4);
- Unità del dispositivo di sollevamento della ciotola (Fig. 5);
- Piastra rotante della copertura della ciotola e asse di miscelazione (Fig. 6);
- Unità di impostazione della velocità (Fig. 7)

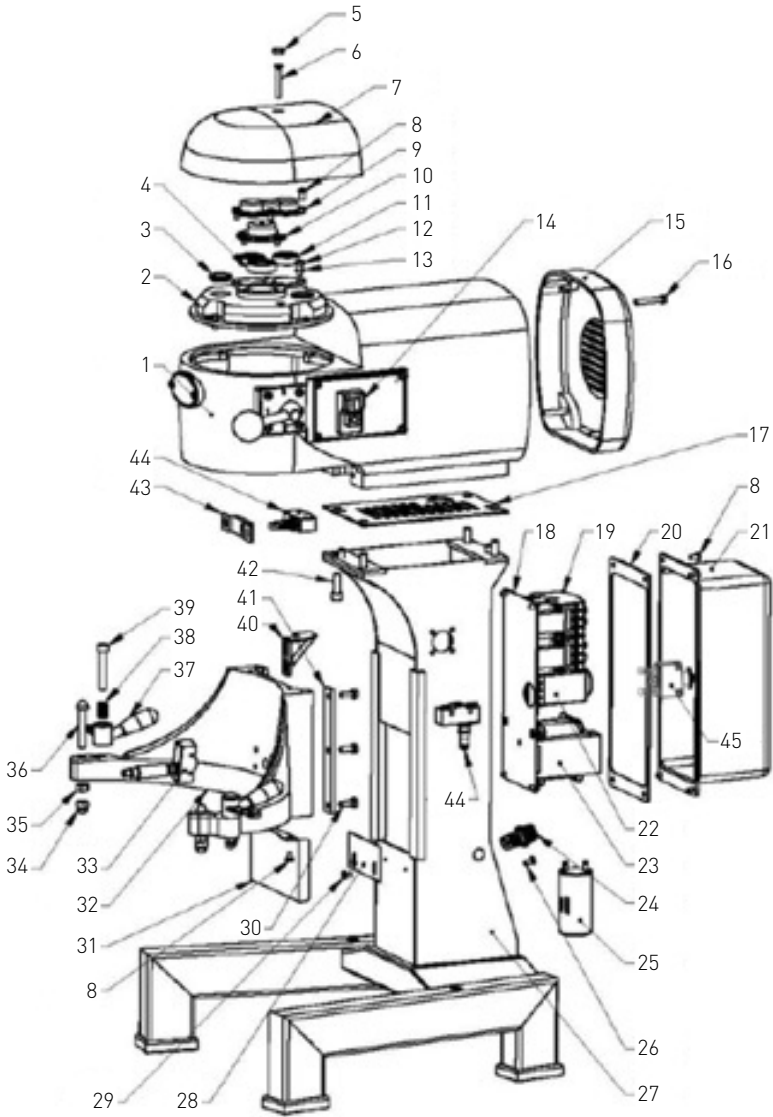
**Fig. 1: Sistema di ingranaggio, supporto per la ciotola, supporto dell'apparecchio**

222836/222966:



<b>Pezzo n.</b>	<b>Nome del pezzo</b>	<b>Quantità</b>	<b>Pezzo n.</b>	<b>Nome del pezzo</b>	<b>Quantità</b>
1	Coperchio cuscinetto	1	22	Relè del timer	1
2	Vite (M6X16)	4	23	Relè	2
3	Carter	1	24	Condensatore	1
4	Cuscinetto 6202	1	25	Microswitch	3
5	Copertura del centro	1	26	Connettore cavo	1
6	Carter	2	27	Colonna verticale	1
7	Vite (M5X16)	1	28	Pannello della colonna verticale	1
8	Carter superiore	1	29	Braccio completo	1
9	Carter	1	30	Guaina (per microswitch)	1
10	Vite (M5X8)	5	31	Dado cieco (M8)	2
11	Cuscinetto 6001	1	32	Dado (M8)	4
12	Carter	1	33	Vite della ciotola	2
13	Interruttore di accensione	1	34	Impugnatura fissa	2
14	Carter posteriore	1	35	Molla dell'impugnatura fissa	2
15	Vite (M6X35)	4	36	Vite (M8X60)	2
16	Piastra anti topi	1	37	Morsetto piatto	2
17	Quadro elettrico	1	38	Vite (M6X16)	6
18	Trasformatore	1	39	Vite (M4X8)	2
19	Fasce di tenuta del quadro elettrico	1	40	Porta microswitch	2
20	Vite (M5X8)	4	41	Corpo	1
21	Quadro elettrico	1	42	Interruttore sovraccarico	1





IT



Pezzo n.	Nome del pezzo	Quantità	Pezzo n.	Nome del pezzo	Quantità
1	Corpo	1	24	Connettore cavo	1
2	Coperchio cuscinetto	1	25	Condensatore	1
3	Carter	2	26	Vite di rame (M5X12)	1
4	Cuscinetto (6003)	1	27	Colonna verticale	1
5	Carter	3	28	Pannello della colonna verticale	1
6	Vite (M6X45)	1	29	Vite (M4X8)	2
7	Carter superiore	1	30	Vite (M6X16)	6
8	Screw (M5X8)	7	31	Pannello della colonna verticale	1
9	Carter	1	32	Braccio	1
10	Copertura del centro	1	33	Guaina (per microswitch)	1
11	Cuscinetto (6201)	2	34	Dado cieco (M8)	2
12	Vite (M6X14)	4	35	Dado (M8)	2
13	Rondella elastica 6	4	36	Vite della ciotola	2
14	Interruttore di accensione	1	37	Impugnatura fissa	2
15	Carter posteriore	1	38	Molla dell'impugnatura fissa	2
16	Vite (M6X35)	4	39	Vite (M8X60)	2
17	Piastra anti topi	1	40	Blocchetto in plastica	1
18	Quadro elettrico	1	41	Morsetto piatto	2
19	Relè	2	42	Vite (M8X25)	4
20	Fasce di tenuta del quadro elettrico	1	43	Porta microswitch	1
21	Quadro elettrico	1	44	Microswitch	2
22	Relè del timer	1	45	Interruttore sovraccarico	1
23	Trasformatore	1			



**Fig. 2: Unità dell'asse**

222836/222966:

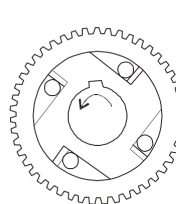
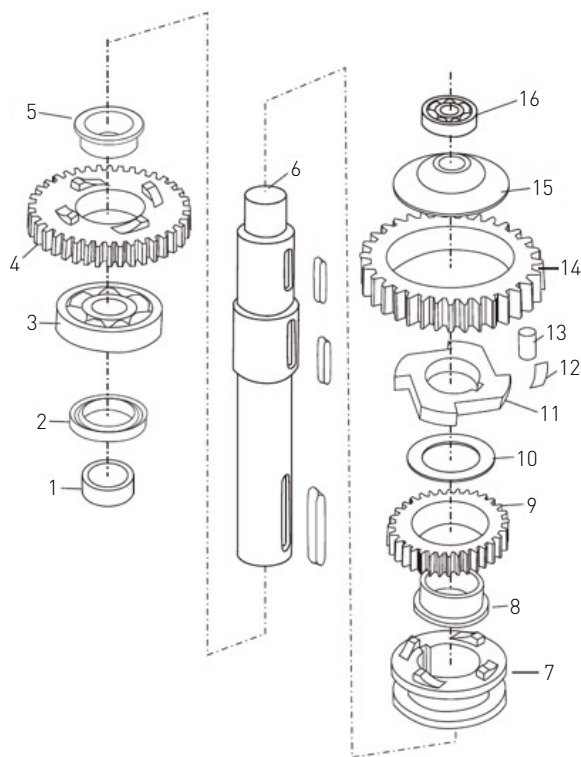


Fig. 2-1

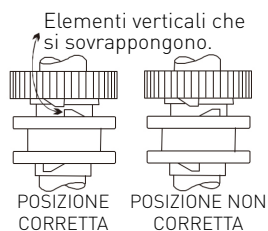


Fig. 2-2

Nota:

1. Ricordarsi di montare i pezzi al posto giusto e lubrificare i perni indicati sulla Fig. 2-1.
2. Controllare se dopo la nuova installazione dell'apparecchio la guarnizione di olio si trova nella posizione corretta.

Pezzo n.	Nome del pezzo	Quantità
1	Carter	1
2	Tenuta olio	1
3	Cuscinetto (6204)	1
4	Ingranaggio accoppiatore	1
5	Cuscinetto	1
6	Asse centrale	1
7	Accoppiatore	1
8	Cuscinetto	1
9	Corona dentata piccola	1
10	Anello divisore	1
11	Attuatore	1
12	Molla	1
13	Rullo	1
14	Corona dentata grande	1
15	Carter	1
16	Cuscinetto (6001)	1



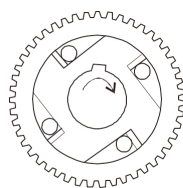
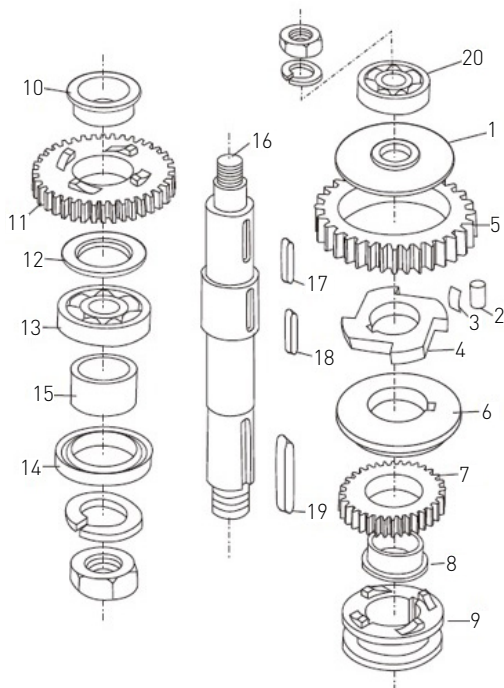


Fig. 2-1

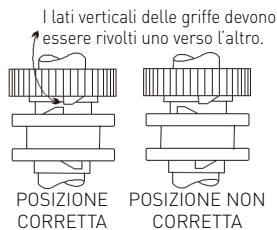


Fig. 2-2

**Nota:**

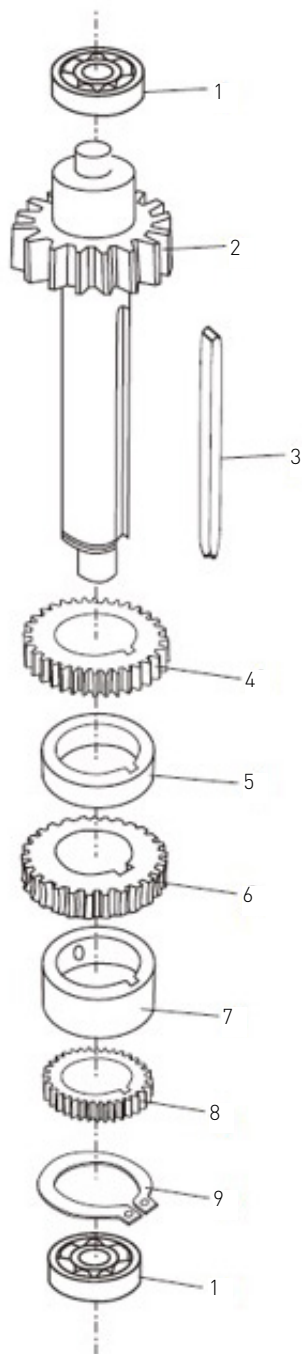
1. Ricordarsi di montare i pezzi al posto giusto e lubrificare i perni indicati sulla Fig. 2-1.
2. Controllare se dopo la nuova installazione dell'apparecchio la guarnizione di olio si trova nella posizione corretta.

Pezzo n.	Nome del pezzo	Quantità
1	Carter	1
2	Rullo	1
3	Molla	1
4	Attuatore	1
5	Corona dentata	1
6	Anello divisore	1
7	Ingranaggio superiore	1
8	Anello cuscinetto	1
9	Anello frizione	1
10	Anello cuscinetto	1
11	Ingranaggio inferiore	1
12	Anello	1
13	Cuscinetto (6205)	1
14	Tenuta olio (30X45X10)	1
15	Distanziatore	1
16	Asse centrale	1
17	Chiave (6X14)	1
18	Chiave (5X35)	1
19	Chiave (6X30)	1
20	Cuscinetto (6003)	1



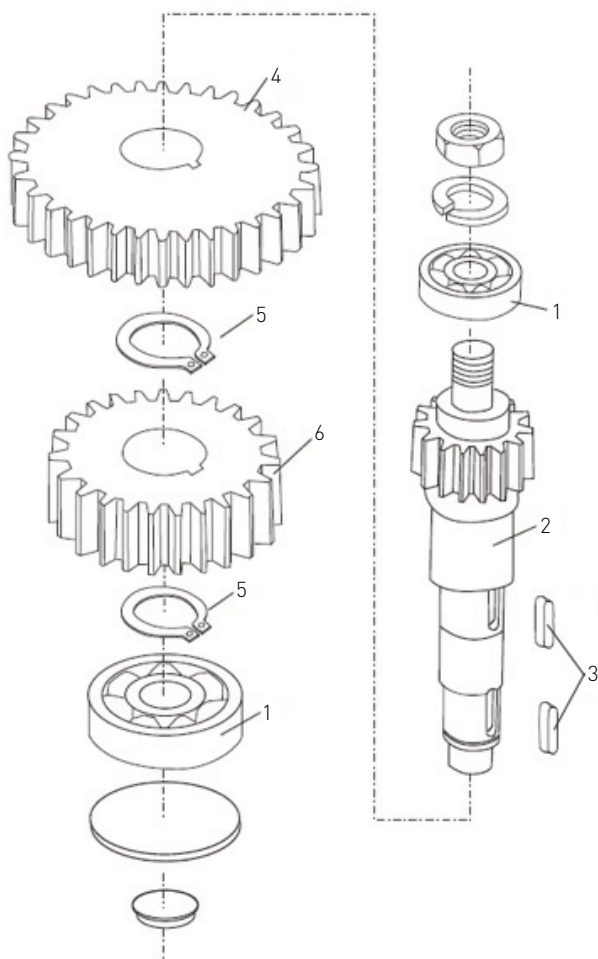
**Fig. 3: Unità dell'asse di ingranaggio**

222836/222966:

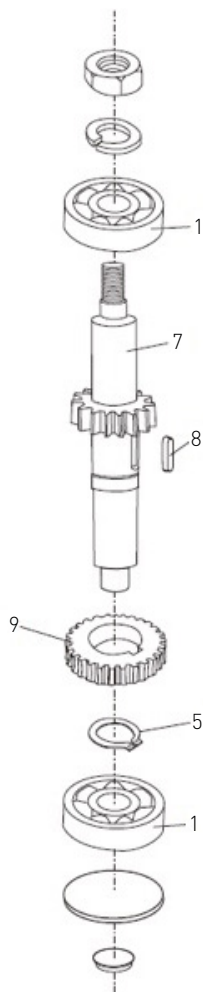


Pezzo n.	Nome del pezzo	Quantità
1	Cuscinetto (6001)	2
2	Asse del cambio ad alta velocità	1
3	Chiave (5X58)	1
4	Marcia più alta	1
5	Distanziatore piccolo	1
6	Ingranaggio inferiore	1
7	Distanziatore grande	1
8	Marcia più bassa	1
9	Anello di sicurezza	1

Nota: Assicurarsi che in ogni ingranaggio le linguette sono state montate.



Asse con cremagliera doppio



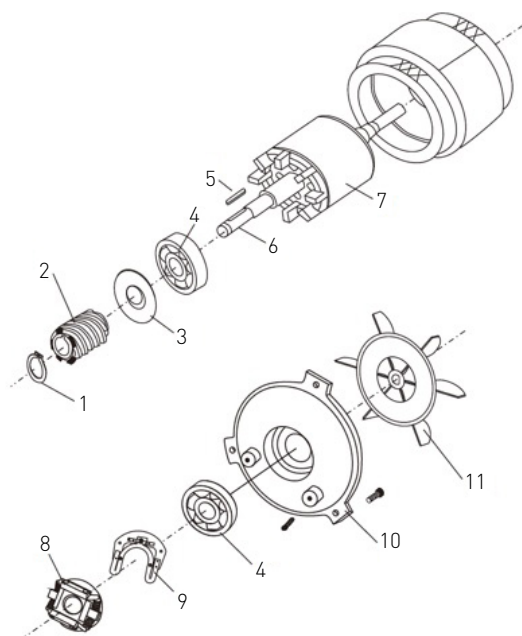
Asse con cremagliera singolo

Pezzo n.	Nome del pezzo	Quantità	Pezzo n.	Nome del pezzo	Quantità
1	Cuscinetto (6201)	4	6	Ingranaggio inferiore	1
2	Asse con cremagliera doppio	1	7	Asse con cremagliera singolo	1
3	Chiave (5X11)	2	8	Chiave (5X14)	1
4	Ingranaggio superiore	1	9	Ingranaggio	1
5	Anello di sicurezza	3			

Nota: Assicurarsi che in ogni ingranaggio le linguette sono state montate.



Fig. 4: Unità del motore



IT	Pezzo n.	Nome del pezzo	Quantità	Pezzo n.	Nome del pezzo	Quantità
	1	Anello di arresto (solo 222843)	1	7	Rotore	1
	2	Spirale	2	8	Interruttore	1
	3	Tenuta olio	1	9	Piastra interruttore in plastica	1
	4	Cuscinetto	1	10	Coperchio cuscinetto	1
	5	Chiave {4x22}	1	11	Ventola	1
	6	Asse	1			

Fig. 4-1

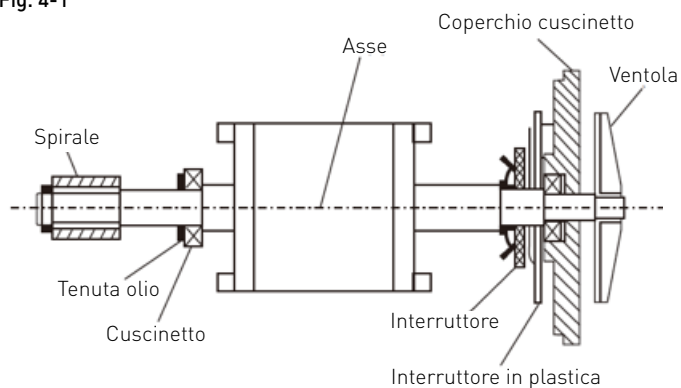
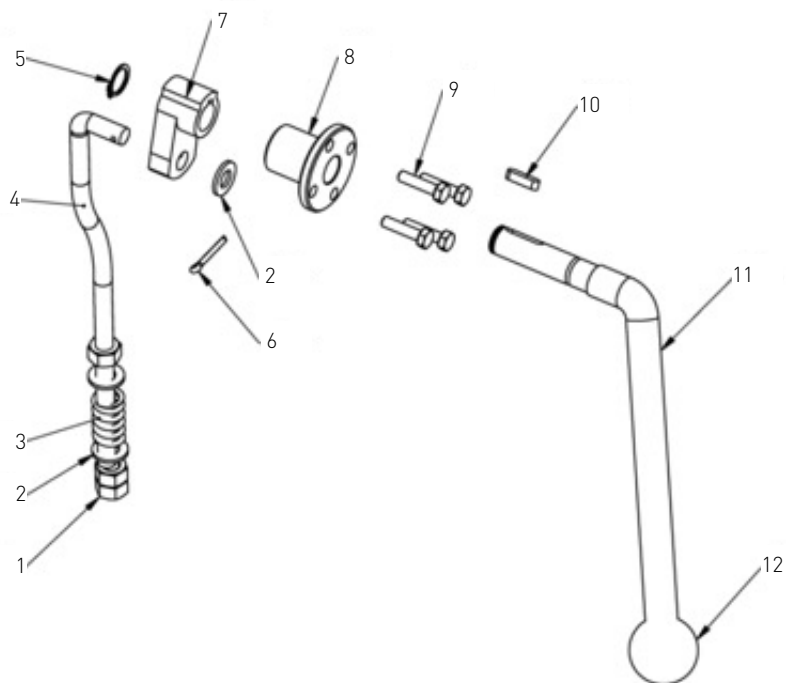


Fig. 5: Unità del dispositivo di sollevamento della ciotola

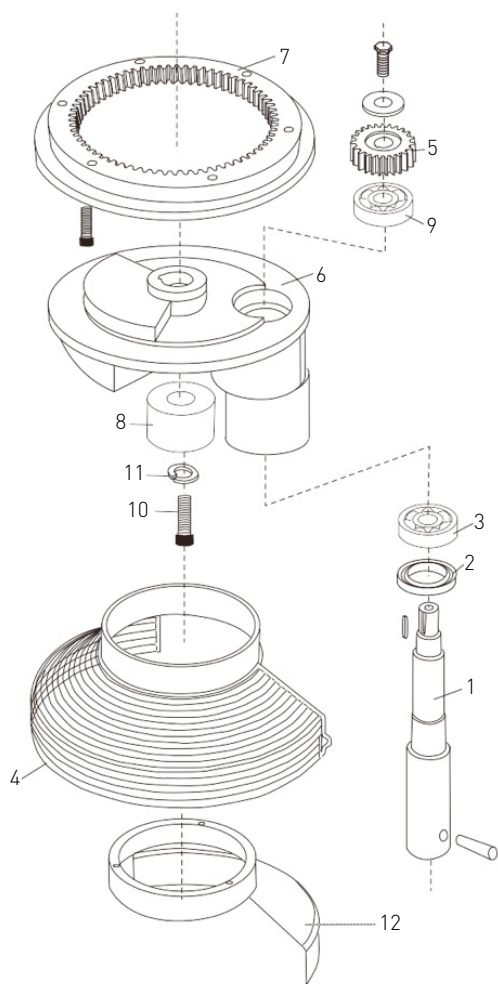


Pezzo n.	Nome del pezzo	Quantità	Pezzo n.	Nome del pezzo	Quantità
1	Dado (M10)	3	7	Manovella	1
2	Rondella piatta	2	8	Nodo a flangia	1
3	Molla del braccio	1	9	Vite (M6X25)	4
4	Barra di sollevamento	1	10	Chiave (5x20)	1
5	Anello di arresto	1	11	Maniglia di sollevamento della ciotola	1
6	Coppiglia	1	12	Sfera in plastica	1



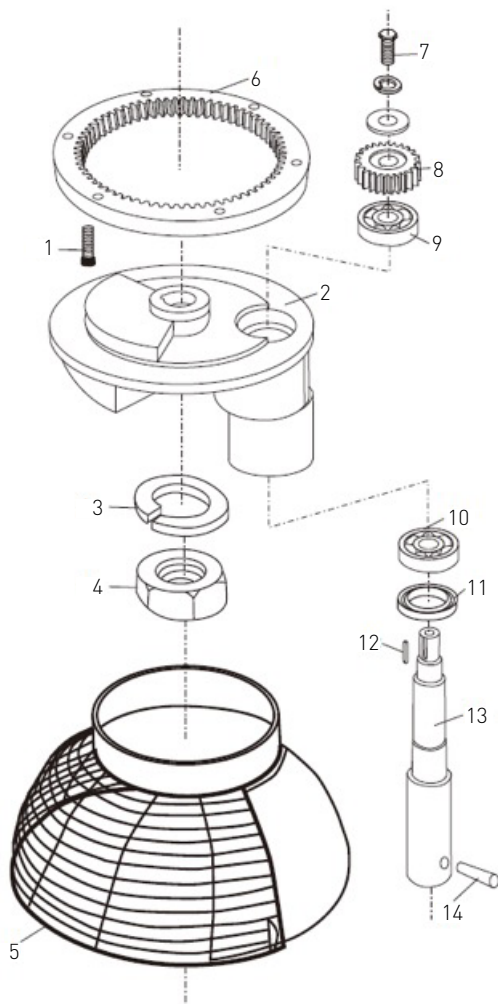
**Fig. 6: Piastra rotante e asse di miscelazione**

222836/222966:



Pezzo n.	Nome del pezzo	Quantità	Pezzo n.	Nome del pezzo	Quantità
1	Asse di miscelazione	1	7	Ingranaggio interno	1
2	Tenuta olio (20X40X10)	1	8	Carter	1
3	Cuscinetto	1	9	Cuscinetto	1
4	Protezione della ciotola	1	10	Vite (M8X20)	1
5	Ingranaggio planetario	1	11	Rondella elastica	1
6	Piastra girevole	1	12	Carter posteriore della protezione della ciotola	1

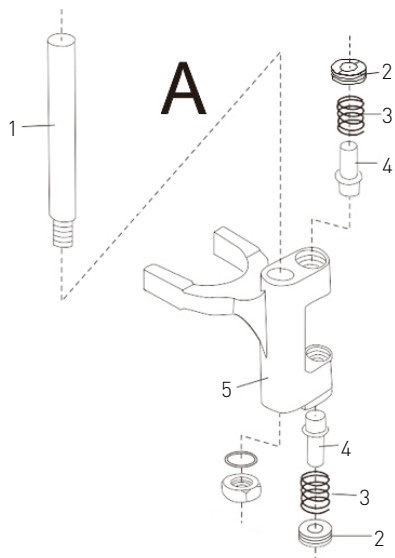
222843/222973:



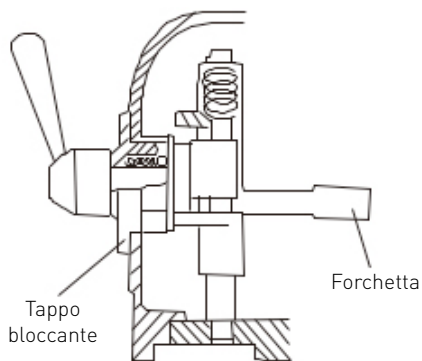
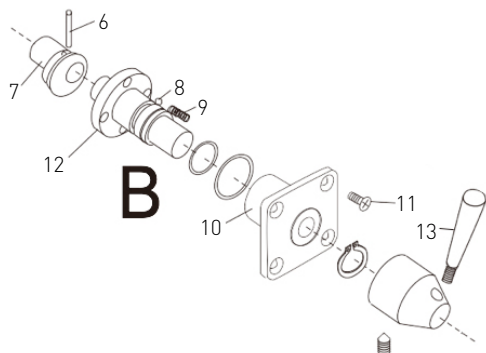
Pezzo n.	Nome del pezzo	Quantità	Pezzo n.	Nome del pezzo	Quantità
1	Vite (M6X25)	1	8	Ingranaggio planetario	1
2	Piastra girevole	1	9	Cuscinetto (6203)	1
3	Rondella elastica	1	10	Cuscinetto (6204)	1
4	Dado (M18)	1	11	Tenuta olio (25X50X10)	1
5	Protezione della ciotola	1	12	Chiave (5X18)	1
6	Ingranaggio interno	1	13	Asse di miscelazione	1
7	Vite (M8X15)	1	14	Perno	1

IT

Fig. 7: Unità di impostazione della velocità

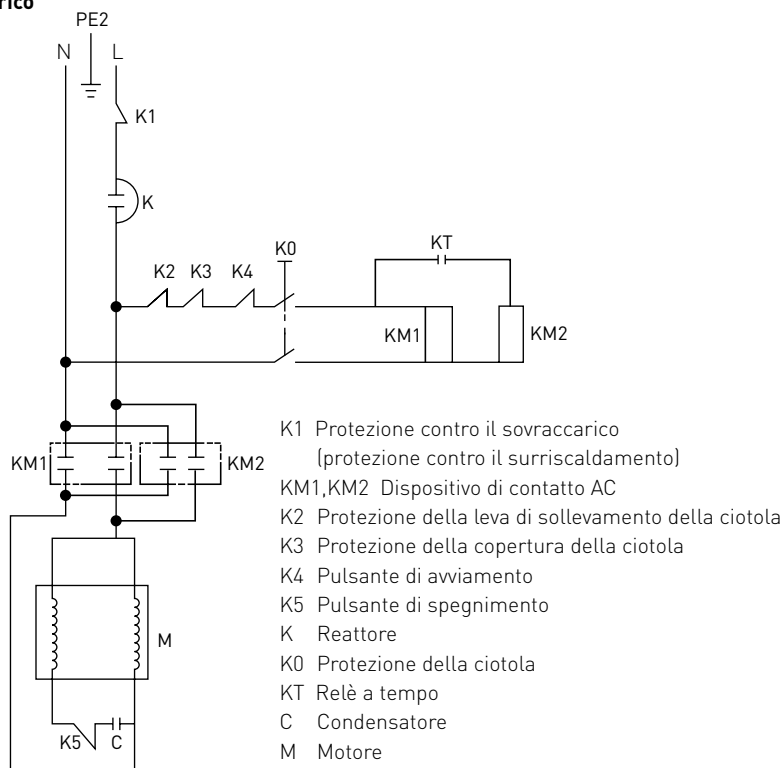


Pezzo n.	Nome del pezzo	Quantità	
A	1	Asta	1
	2	Dado	1
	3	Molla	1
	4	Albero	1
	5	Forcella	1
B	6	Pin (3X20)	1
	7	Nodo	1
	8	Cuscinetto a sfere in acciaio	3
	9	Molla	3
	10	Copertura del blocco	1
	11	Vite (M5X10)	1
	12	Albero	1
	13	Leva	1





## Schema elettrico



## Garanzia

Qualsiasi difetto che influenza la funzionalità del dispositivo che compaia entro un anno dall'acquisto sarà corretto a titolo interamente gratuito o con la sostituzione del prodotto che è stato utilizzato e sottoposto a manutenzione corretta seguendo le istruzioni, senza alcuna violazione. I diritti legali del cliente non sono assolutamente modificati. Nel caso in cui l'intervento di manutenzione o sostitu-

zione sia previsto nel periodo di validità della garanzia, precisare dove e quando si è acquistato il prodotto, possibilmente allegando lo scontrino.

In linea con la nostra politica di sviluppo continuo dei prodotti, ci riserviamo il diritto di modificare il prodotto, l'imballo e le specifiche di documentazione, senza notifica alcuna.

## Smaltimento e protezione dell'ambiente

In caso di ritiro dell'apparecchiatura dal funzionamento il prodotto non può essere smaltito con altri rifiuti domestici. L'utente è responsabile della consegna dell'attrezzatura al punto di raccolta appropriato per l'attrezzatura usata. Il mancato rispetto delle disposizioni sopramenzionate può comportare l'imposizione di sanzioni in conformità con le normative vigenti in materia di smaltimento dei rifiuti. La raccolta e il riciclaggio selettivi di attrezzature usate contribuiscono alla conserva-


zione delle risorse naturali e garantiscono il riciclaggio in modo tale da non nuocere alla salute e all'ambiente. Per ulteriori informazioni sui luoghi di smaltimento delle apparecchiature usate per il riciclaggio, contattare la società locale di raccolta dei rifiuti. Il produttore e l'importatore non sono responsabili per il riciclaggio e il trattamento dei rifiuti in modo ecologico, sia direttamente che nel quadro del sistema pubblico.



Stimate client,

Vă mulțumim pentru achiziționarea acestui aparat Hendi. Vă rugăm să citiți cu atenția acest manual înainte de a conecta aparatul pentru evitarea defectării ca urmare a utilizării incorecte. Acordați o atenție deosebită regulilor de siguranță.

## Reguli de siguranță


- Operarea incorectă și utilizarea necorespunzătoare a aparatului poate avaria grav aparatul și poate cauza răni oamenilor.
- Acest aparat nu este destinat uzului casnic.
- Aparatul poate fi folosit doar în scopul pentru care a fost proiectat. Producătorul nu este răspunzător pentru orice avariere cauzată operării incorecte și a utilizării necorespunzătoare.
- Asigurați-vă că aparatul și ștecherul nu intră în contact cu apă sau alte lichide. În cazul în care aparatul este scăpat în apă, scoateți imediat ștecherul din priză și un tehnician autorizat trebuie să-l verifice. Dacă nu respectați aceste instrucțiuni, acest lucru poate cauza situații care vă pot pune viața în pericol.
- Nu încercați să deschideți singuri carcasa aparatului.
- Nu introduceți nici un fel de obiecte în carcasa aparatului.
- Nu atingeți ștecherul cu mâinile ude sau umede.
-  **Pericol de electrocutare!** Nu încercați să reparați singur/ă aparatul. În cazul unei defecțiuni, reparațiile vor fi efectuate întotdeauna numai de personal calificat.
- **Nu utilizați niciodată un aparat defect!** Deconectați aparatul de la priza electrică și contactați distribuitorul în cazul unei defecțiuni.
- **Avertisment!** Nu scufundați părțile electrice ale aparatului în apă sau în alte lichide. Nu țineți niciodată aparatul sub jet de apă.
- Verificați în mod regulat ștecărul și cablul pentru a vă asigura că nu sunt deteriorate. În cazul în care ștecărul sau cablul de alimentare este deteriorat, acesta trebuie înlocuit de agentul de service sau de alt personal calificat similar pentru a evita orice pericol.
- Cablul nu trebuie să intre în contact cu obiecte ascuțite sau fierbinți și trebuie păstrat departe de foc. Pentru a scoate ștecărul din priză, trageți întotdeauna de ștecăr, nu de cablu.
- Asigurați-vă că nimeni nu poate trage din greșeală cablul (sau prelungitorul) și că nimeni nu se poate împiedica de el.
- Supravegheați întotdeauna aparatul atunci când este în funcțiune.
- **Avertisment!** Atât timp cât ștecărul este în priză, aparatul este conectat la sursa de electricitate.
- Opriiți aparatul înainte de a scoate ștecărul din priză.
- Nu cărați niciodată aparatul ținându-l de cablu.
- Nu utilizați dispozitive suplimentare care nu sunt livrate împreună cu aparatul.
- Conectați aparatul doar la prize electrice cu intensitatea și frecvența electrice menționate pe eticheta aparatului.

RO



- Conectați cablul de alimentare la o priză electrică ușor accesibilă, astfel încât aparatul să poată fi deconectat imediat în caz de urgență. Scoateți cablul de alimentare din priza electrică pentru a opri complet aparatul. Utilizați cablul de alimentare ca dispozitiv de deconectare.
- Opriti întotdeauna aparatul înainte de a deconecta cablul de alimentare.
- Nu utilizați niciodată accesorii care nu sunt recomandate de către producător. Acestea pot reprezenta un risc de siguranță pentru utilizator și pot deteriora aparatul. Utilizați numai piese și accesorii originale.
- Acest aparat nu trebuie folosit de copii sau persoane care au capacități mentale, senzoriale sau fizice reduse, sau lipsă de experiență și cunoștințe.
- Acest aparat nu trebuie utilizat sub nicio formă de către copii.
- Nu țineți produsul și cablurile sale la îndemâna copiilor.
- Copiii nu trebuie să se joace cu acest produs.
- Deconectați întotdeauna aparatul de la sursa de alimentare în cazul în care este lăsat nesupravegheat, precum și înainte de asamblare, dezasamblare sau curățare.
- Nu lăsați niciodată aparatul nesupravegheat pe parcursul utilizării.

## Norme speciali di sicurezza

- Utilizați mașina doar în modul descris în acest manual.
- Această mașină trebuie operată și instalată de către personal instruit specializat în bucătăria industriilor alimentare, cum ar fi aprovizionare, brutărie, pizza, aluat etc.
- Toate lucrările de mentenanță, instalare și reparații trebuie efectuate de tehnicieni specializați, instruiți și autorizați.
-  În partea din spate a aparatului este furnizată o bornă de legătură echipotențială pentru a asigura interconexiunea cu alte echipamente.
- Nu amplasați mașina pe un obiect de încălzire (aparat de gătit cu benzină, electric, cărbune etc.) Țineți aparatul la distanță de orice suprafețe fierbinți și de flăcări deschise. Utilizați întotdeauna aparatul pe o suprafață orizontală, stabilă, curată, termorezistentă și uscată.
- Nu utilizați mașina în apropierea materialelor explozibile sau inflamabile, cardurilor de credit, discurilor magnetice sau radiourilor.
- În timpul funcționării purtați îmbrăcăminte de protecție, mască sau ochelari de protecție, dacă este nevoie.
- Acest aparat nu este conceput pentru a fi utilizat cu ajutorul unui cronometru extern sau al unui sistem separat de control la distanță.
- Nu scoateți niciodată din circuit comutatoarele de siguranță ale mașinii.
- **AVERTISMENT:** Mențineți neobstrucționate toate orificiile pentru ventilație ale aparatului.
- **AVERTISMENT:** Opriti **ÎNTOTDEAUNA** mașina și deconectați-o de la sursa de alimentare electrică înainte de a o curăța, întreține sau de a-i schimba dispozitivele atașate.
- Lăsați cel puțin 30 cm în jurul aparatului pentru a asigura ventilația în timpul utilizării.



- **Atenție!** Așezați corespunzător cablul de alimentare, dacă este cazul, pentru a împiedica tragerea neintenționată sau contactul cu suprafața de încălzire.
- **AVERTISMENT! ÎNTOTDEAUNA** mențineți degetele, părul lung și hainele largi la depărtare de piese în mișcare.
- Nu puneți mâinile în zona protejată și bolul de amestecare atunci când mașina se află în funcțiune.
- Nu supraîncărcați ingredientele pentru a evita revărsarea produselor alimentare. Capacitatea maximă a vasului este de 10 litri pentru 222836, 222966 și 20 de litri pentru 222843, 222973.
- Nu spălați aparatul cu apă sau cu jet de apă. Spălarea cu apă poate produce scurgeri și crește riscul de electrocutare. Componentele nu pot fi curățate în mașina de spălat vase.
- Nu curățați și nu depozitați mașina decât după ce s-a răcit complet.
- Mutarea sau transportul mașinii trebuie efectuate cu atenție deosebită, deoarece are o greutate mare. Efectuați-le în 2 oameni sau ajutându-vă de un cărucior. Mutați mașina încet, cu grijă și niciodată înclinată la peste 45°.

### Destinația produsului

- Acest aparat este destinat uzului profesional și poate fi utilizat numai de personal calificat.
- Acest aparat este destinat exclusiv amestecarea, frământarea și emulsionarea/bateria produselor alimentare folosite în industria alimentară și în comerț. Orice altă utilizare poate provoca avarierea aparatului sau accidentarea persoanelor.
- Utilizarea aparatului în orice alt scop reprezintă o utilizare incorectă. Utilizatorul este singurul răspunzător de orice utilizare incorectă a aparatului.

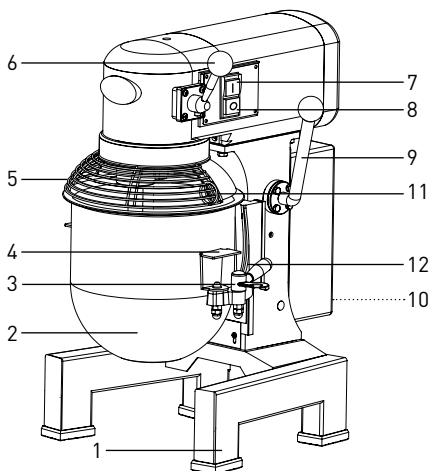
### Instalația de împământare

Acest aparat este încadrat în clasa de protecție I și trebuie conectat la împământare de protecție. Împământarea reduce riscul electrocutării prin asigurarea unui fir de ieșire pentru curentul electric.

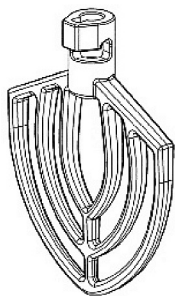
Acest aparat este dotat cu un cablu cu fir și fișă de împământare. Fișa trebuie conectată la o priză instalată corespunzător și cu împământare.

### Principalele piese ale aparatului

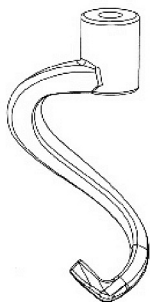
1. Suport cadru rigid
2. Vas
3. Clemele vasului (x2)
4. Mânerele vasului (x2)
5. Apărătoarea vasului
6. Buton de comandă turație
7. Buton PORNIT (VERDE, I)
8. Buton OPRIT (ROȘU, O)
9. Mâner ridicare / coborâre vas
10. Buton de RESETARE (la partea din spate)
11. Mânerul apărătorii vasului
12. Suport vas



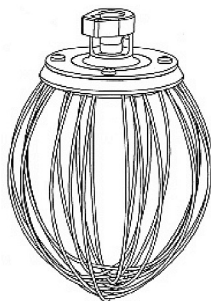
## Dispozitive atașate



Bătător plat



Cârlig pentru aluat



Tel

## Pregătiri înainte de instalare

- Deșurubați cu grijă mașina de pe suport folosind o cheie dacă este nevoie.
- Îndepărtați toate ambalajele și învelitorile de protecție.
- Verificați dacă produsul este complet și dacă nu a suferit avarii în timpul transportului. În cazul livrării incomplete (de ex. Tel, bătător plat și cârlig pentru aluat) sau avarierii, contactați imediat furnizorul. NU utilizați mașina. (Vezi ==> Garanție).
- Curățați aparatul și dispozitivele atașate înainte de utilizare (Vezi ==> Curățare și Întreținere).
- Asigurați-vă că aparatul este complet uscat.
- Păstrați ambalajul pentru a depozita aparatul atunci când nu este folosit o perioadă mai lungă de timp.

## Instalare

- Citiți acest manual cu atenție și rigurozitate înainte de instalare și punere în funcțiune.
- Asigurați-vă că mașina este amplasată într-o zonă uscată cu suprafață de sprijin îndeajuns de rezistentă și nu există obstrucții împrejurul mașinii în timpul funcționării.
- Asigurați-vă că sursa de alimentare cu electricitate corespunde plăcuței de identificare de pe mașină.
- În jurul mașinii trebuie să existe un spațiu suficient pentru ca operatorul să o poată folosi. Spațiul trebuie să fie curat și neobstrucționat, de ex. nimic amplasat pe sau în jurul mașinii, cum ar fi raclete, cuțite etc.
- Nu purtați îmbrăcăminte largă, cum ar fi eșarfe, etc. iar părul lung trebuie prins și menținut la distanță de piesele în mișcare.

**ATENȚIE!** Nu scoateți niciodată din circuit comutatoarele de siguranță.

## Transportul și manipularea

- Nu mutați mașina în timp ce funcționează.
- Atunci când mutați mașina, scoateți-o din priză, detașați vasul (2) și toate dispozitivele atașate (tel, bătător plat sau cârlig pentru aluat).
- Susțineți mașina de către suportul cadru rigid (1) atunci când o mutați.
- Efectuați mutarea mașinii cu 2 oameni sau ajutându-vă de un cărucior, deoarece are greutate mare.



## Caracteristici speciale de siguranță

**Atenție:** Această mașină este echipată cu următoarele 3 comutatoare cheie de siguranță. Mașina poate fi pusă în funcțiune doar atunci când toate comutatoarele de siguranță se află în poziția corespunzătoare.

- Comutator de siguranță pentru poziția vasului: Mașina poate fi pornită doar odată ce vasul (2) este amplasat în poziția corectă.
- Comutator de siguranță pentru apărătoarea vasului (5): Mașina poate fi pornită doar după ce apărătoarea vasului (5) este închisă corespunzător.
- Comutator de siguranță pentru mânerul de ridicare al vasului (9): Mașina poate fi pornită doar după ce mânerul de ridicare al vasului (9) se află în poziție ridicată.

Nu purtați îmbrăcăminte largă, cum ar fi eșarfe, etc. iar părul lung trebuie prins și menținut la distanță de piesele în mișcare.

## Funcționare

**Pentru evitarea accidentărilor personale grave:**

- **NU** utilizați mașina fără a citi manualul de instrucțiuni.
- **OPRIȚI ÎNTOTDEAUNA** mașina apăsând pe butonul ROȘU „0” (8) și deconectați-o de la sursa de alimentare electrică înainte de a o curăța, în-

treține, repara sau de a-i schimba dispozitivele atașate.

- **ÎNTOTDEAUNA** mențineți degetele, părul lung și hainele largi la depărtare de piese în mișcare.

### a) Despre apărătoarea vasului

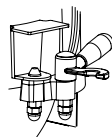
**Notă:** Atunci când apărătoarea vasului (5) este deschisă sau nu este închisă corect în poziția de blocare, mașina nu va funcționa.

1. Pentru a deschide apărătoarea vasului (5), rotiți în sens orar mânerul apărătorii vasului (11). Pentru a închide apărătoarea vasului (5), rotiți în sens anti-orar mânerul apărătorii vasului (11).
2. Atunci când mânerul apărătorii vasului (11) este aliniat la dreapta mașinii, apărătoarea vasului (5) se află în poziție blocată și este pregătită de funcționare.

### b) Instalarea vasului (2) pe mașină

Notă: Instalați vasul (2) ÎNAINTE de a monta dispozitivele atașate. Utilizați doar vasul furnizat (2).

1. Coborâți vasul (2) prin tragerea mânerului de ridicare / coborâre a vasului (9) în jos până la reflux. După aceasta suportul vasului (12) se află în poziție inferioară.
2. Amplasați lent și cu grijă vasul (2) folosind mânerul vasului (4) de pe cele 2 părți și
  - i) Cu știftul de blocare în orificiul din mijlocul suportului pentru vas (12) și
  - ii) Asigurați vasul (2) trăgând în față fiecare clemă a vasului (3) până când vasul (2) este strâns blocat.



### c) Instalarea diverselor dispozitive atașate (Bătător plat, Cârlig pentru aluat sau Tel) pe mașină

Notă: Este mai comod și mai facil de a instala dispozitivele atașate înainte de adăugarea ingredientelor în vas (2).

1. Rotiți lent apărătoarea vasului (5) în sens orar cu mânerul apărătorii vasului (6), astfel încât să se afle în poziție deschisă.
2. **ATENȚIE!** Utilizarea forței excesive pentru deschiderea și închiderea apărătorii vasului (5) poate provoca avaria comutatorului de siguranță pentru blo-
- care. Deschideți și închideți cu grijă apărătoarea vasului (5).
3. Glisați ușor în sus dispozitivele atașate (Bătător plat, Cârlig pentru aluat sau Tel) pe arborele planetar, montând axul arborelui prin fanta din dispozitive.
4. Rotiți dispozitivele pentru a le fixa pe arborele planetar.

#### d) Turnarea și amestecarea ingredientelor

Notă: Respectați tabelul cu „Capacități malaxare ingrediente” din acest manual. Supraîncărcarea va conduce la revărsare sau avarierea mașinii.

**IMPORTANT:** Asigurați-vă că butonul de control al turației (6) se află în poziția „cârlig pentru aluat”.

1. Adăugați toate ingredientele necesare în vas (2).

2. Ridicați mânerul de ridicare / coborâre a vasului (9) până când vasul (2) se blochează în poziție.

3. Rotiți în sens anti-orar apărătoarea vasului (5) și blocați-o în poziție.

**Atenție:** Mașina nu va porni dacă apărătoarea vasului (5) este deschisă / nu este închisă corect sau dacă vasul (2) se află în poziția inferioară.

#### e) Configurarea turației, dispozitivului atașat și pornirea mașinii

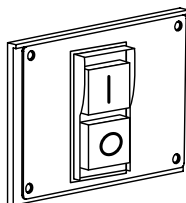
1. Selectați apoi turația adecvată prin ridicarea sau coborârea butonului de control al turației (6). Sunt disponibile trei turații fixe pentru diferitele dispozitive atașate:

Viteza de rotație	Tipul de ingredient
Cârlig pentru aluat (Scăzută)	Greu: Malaxare pizza, pâine, paste și
Bătător plat (Medie)	Mediu: a 2-a etapă de malaxare pentru aluat de gogoși etc.
Tel (Ridicată)	Ușor: Smântână, albușuri de ou, bezele.

**IMPORTANT:** Folosiți **ÎNTOTDEAUNA** dispozitivul și configurarea de turație recomandată conform tabelului de capacități și indicației din dreptul butonului de control al turației (6).

**ATENȚIE:** Aveți grijă la riscul de vărsare a făinii și prafurilor atunci când desfaceți pungile de ingrediente în vas (2). Purtați o mască sau ochelari de protecție dacă este nevoie.

2. După aceea, apăsați butonul VERDE „I” (7) pentru a PORNI mașina. Apăsați butonul ROȘU „O” (8) pentru a OPRI mașina. Mașina va funcționa în sens orar pentru articolul 222843 și în sens anti-orar articolul 222836.



3. **ATENȚIE! OPRIȚI ÎNTOTDEAUNA** mașina ÎNAINTE de a schimba vitezele. Nerespectarea acestei instrucțiuni poate avaria angrenajele interioare.

4. Pentru a schimba viteza în timpul funcționării:
- Apăsați butonul ROȘU „O” (8) pentru a OPRI mașina.
  - Scoateți mașina din priză și schimbați dispozitivul atașat. [Vezi ==> partea c)].
  - Schimbați viteza prin ridicarea sau coborârea butonului de control al turației (6) cu dispozitivul corect.
  - Apăsați butonul VERDE „I” (7) pentru a PORNI mașina.

#### RESETAREA limitatorului (separatorul termic)

Vă rugăm să rețineți că butonul RESET (10) este situat în partea posterioară a aparatului pentru a se evita supraîncălzirea.

• Scoateți mai întâi aparatul din priză de alimentare de la rețea.

- Permiteți aparatului să se răcească complet.
- Apăsați butonul RESET (10) al limitatorului (separatorul termic)
- Conectați apoi mașina la rețeaua de alimentare și porniți-o din nou.



## Capacitatea de malaxare a ingredientelor

Tabelul de mai jos este doar un tabel de referință lor alimente. Există mulți factori care influențează, cum ar fi tipul de făină, temperatura apei etc.

Produs	Dispozitiv atașat	Cantitate maximă			
		222836	222966	222843	222973
Albuș de ou	Tel	1,0 kg		1,5 kg	
Piure de cartofi	Bătător plat	2,0 kg		2,5 kg	
Amestec de bezele (Cantitate de apă)	Tel	1,5 litri		2,0 litri	
Aluat pentru gofre sau clătite	Bătător plat	2,5 litri		3,0 litri	
Frișcă	Tel	3,5 litri		4,0 litri	
Aluat pentru pizza (Mediu, 50% apă)	Cârlig pentru aluat	2,0 kg		2,5 kg	
Aluat pentru pizza (Gros, 60% apă)	Cârlig pentru aluat	2,5 kg		3,0 kg	
Amestec de pandișpan	Tel	1,5 kg		2,0 kg	
Aluat de plăcintă	Bătător plat	2,0 kg		2,5 kg	
Aluat pentru pâine sau chifle (Ușor/Mediu, 60% apă)	Cârlig pentru aluat	Apă 1,5 kg/ Făină 2,5 kg		Apă 1,5 kg/ Făină 2,5 kg	

## Curățare și Întreținere

**Atenție: Deconectați întotdeauna mașina de la priza de alimentare și permiteți-i să se răcească complet înainte de a o curăța, întreține, repara și depozita..**

### Curățare

- Demontați întotdeauna dispozitivele atașate înainte de curățare, deoarece în caz contrar se vor bloca pe ax și vor fi dificil de îndepărtat mai târziu.
- Curățați riguros mașina și dispozitivele sale atașate după fiecare utilizare, asigurându-vă că eliminați toate reziduurile de alimente.
- Nu scufundați niciodată aparatul în apă sau în alte lichide.
- Curățați cu o lavetă ușor umezită sau un burete cu o soluție diluată de săpun.
- Nu folosiți niciodată bureți sau detergenți abrazivi, bureți de sârmă sau ustensile metalice pentru a curăța părțile interioare sau exterioare ale aparatului.
- NU spălați aparatul cu apă sau jet de apă. Spălarea cu apă poate produce scurgeri și crește riscul de electrocutare.
- Niciuna dintre piese sau dispozitive atașate nu pot fi curățate în mașina de spălat vase.

Procedura recomandată de curățare:

Piese	Mod de curățare	Frecvență
Vas	Folosiți un burete sau o lavetă umedă cu soluție diluată de săpun și apă, clătiți, igienizați și uscați complet.	Curățați după fiecare utilizare
Dispozitive atașate (Cârlig pentru aluat, bătător și tel)	Spălați manual cu soluție diluată de săpun și apă, clătiți, igienizați și uscați complet.	Curățați după fiecare utilizare
Apărătoarea vasului	Spălați manual folosind un burete sau o lavetă umedă cu soluție diluată de săpun și apă, clătiți, igienizați și uscați complet.	Curățați după fiecare utilizare
Suprafața exterioară	Ștergeți cu o lavetă curată umezită în soluție diluată de săpun și apă, clătiți, igienizați și uscați. Nu utilizați jet de apă.	De două ori pe săptămână
Arbore Planetar	Ștergeți cu o lavetă curată umezită în soluție diluată de săpun și apă, clătiți, igienizați și uscați.	Curățați după fiecare utilizare





## Depozitare

- Asigurați-vă întotdeauna înainte de depozitare că aparatul a fost deconectat de la sursa de alimentare și s-a răcit complet.
- Depozitați aparatul într-un loc răcoros, curat și uscat.

## Depanare

Vă rugăm consultați tabelul de mai jos pentru soluții în cazul în care mașina nu funcționează adecvat. Vă rugăm contactați distribuitorul/furnizorul de soluții în cazul în care problema nu poate fi rezolvată. **NU încercați să reparați.**

Probleme	Cauze posibile	Soluție posibilă
Mașina nu pornește	Apărătoarea vasului (5) nu se află în poziția închisă adecvată.	Rotiți apărătoarea vasului (5) către dreapta până când se închide corect și complet.
	Vasul (2) nu este ridicat în poziția corectă.	Ridicați vasul (2) în poziția corectă folosind pârghia (9).
	Ștecherul nu este conectat corespunzător.	Verificați ștecherul pentru a vă asigura că este conectat corespunzător.
Mașina se oprește în timpul funcționării	Supraîncărcarea internă se activează pentru a preveni supraîncălzirea.	Apăsăți butonul ROȘU „0” (8), scoateți din priză mașina, permiteți să se răcească complet, apăsați butonul RESET (10) de la partea posterioară.
	Curea de transmisie avariata sau ruptă	Luați legătura cu furnizorul
Zgomotul produs de mașină este excesiv	Mașina nu este amplasată pe o suprafață orizontală.	Corecțiți suprafața sau mutați pe o altă suprafață orizontală.
	Vasul (2) nu corect amplasat.	Asigurați-vă că vasul (2) este amplasat corect în suportul de vas (12) cu clemele de vas (3).
	Dispozitivele atașate nu sunt corect montate.	Îndepărtați și montați din nou la poziție dispozitivele atașate.
	Vasul este supraîncărcat.	Reduceți cantitatea de ingrediente.
	Curea de transmisie avariata sau uzată.	Luați legătura cu furnizorul.
	Angrenajul planetar necesită lubrifiere.	
Dispozitivele nu se pot atașa ușor pe arborele planetar	Lipsă de lubrifiere și/sau este necesară curățarea arborelui planetar.	Ștergeți arborele planetar cu o lavetă curată umedă și lubrifiați arborele cu ulei mineral sau unsoare.
Mâner ridicare / coborâre vas (9) nu funcționează ușor	Lipsă de lubrifiere pe glisierile vasului.	Lubrifiați glisierile vasului cu ulei mineral sau unsoare.



## Specificația tehnică

Articol nr.	222836	222966	222843	222973
Tensiune și frecvență de funcționare	220 – 240 V~ 50/60Hz			
Puterea nominală de intrare	600W		1100W	
Greutate netă (aprox.)	53kg		78kg	
Clasa de protecție	Clasa I			
Clasa de protecție contra apei	IP21			
Turația (rot/min)	Cârlig pentru aluat	148	197	
	Bătător plat	244	317	
	Tel	480	462	
Capacitatea maximă a vasului	10L		20L	
Cantitatea maximă de făină pentru malaxare	2,5 kg		5,0 kg	
Nivel maxim sonor	< 70 dB (A)			
Dimensiuni exterioare	480 x 400 x (H) 630mm		560 x 500 x (H) 880mm	

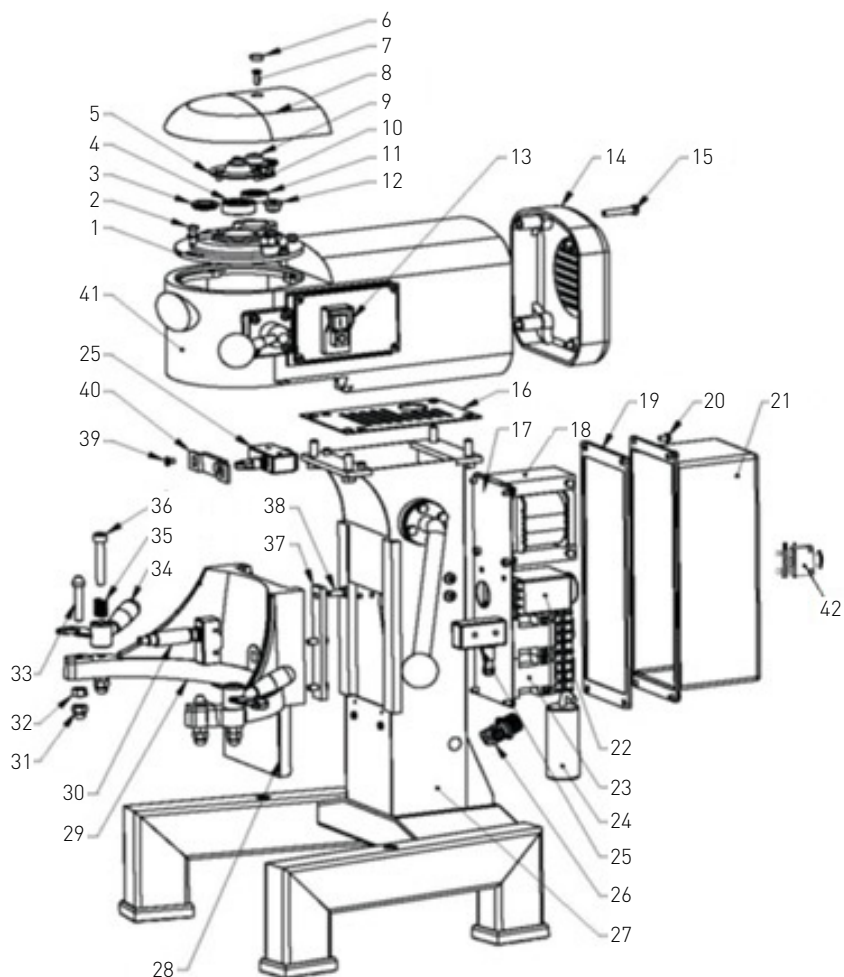
**Observație:** Specificația tehnică poate fi modificată fără preaviz.

## Vedere explodată și lista de piese

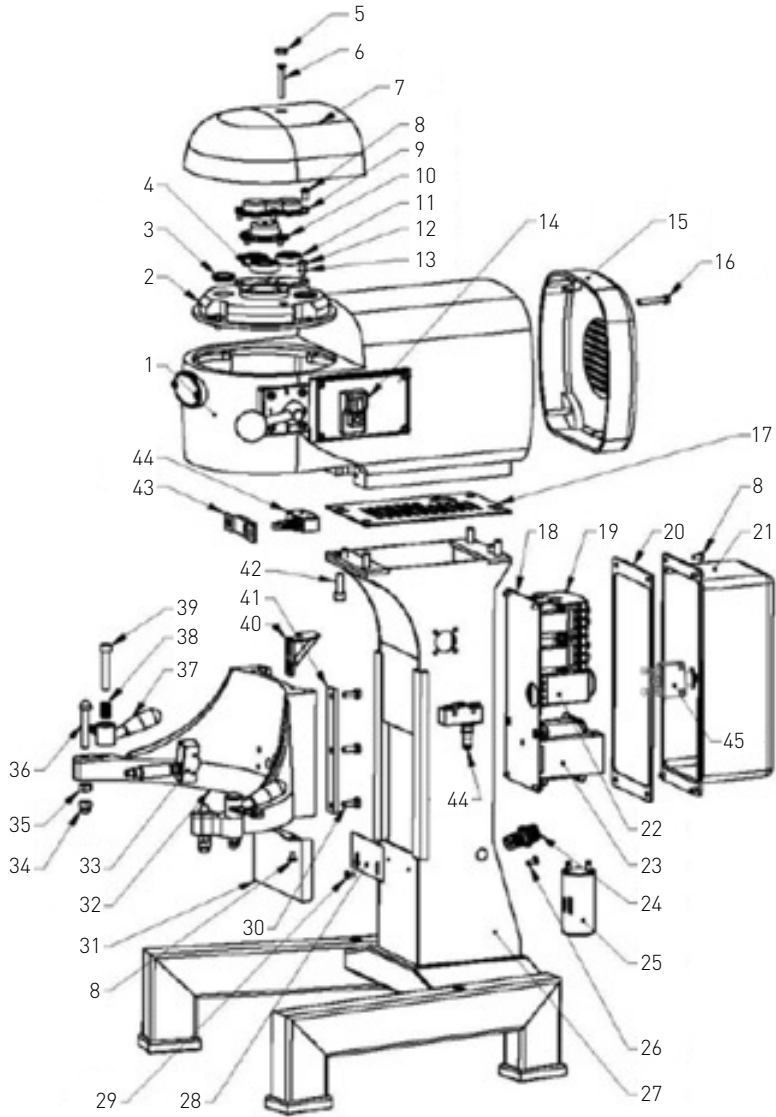
**Atenție:** Vederea explodată și lista de piese sunt compuse din următoarele părți:

- Sistemul de transmisie prin angrenaj de la partea superioară, suportul vasului și cadrul (Figura 1);
- Ansamblul axului (Figura 2);
- Ansamblul axului angrenajului (Figura 3);
- Ansamblul motorului (Figura 4);
- Ansamblul de ridicare a vasului (Figura 5);
- Placa de rotire a apărătorii vasului și axul de malaxare (Figura 6);
- Ansamblul de comandă a turației (Figura 7)

**Figura 1: Sistemul de transmisie prin angrenaj de la partea superioară, suportul vasului și cadrul**  
222836/222966:



Piesă nr.	Denumirea piesei	Cantitatea	Piesă nr.	Denumirea piesei	Cantitatea
1	Capac rulment	1	22	Releu cu temporizator	1
2	Șurub (M6X16)	4	23	Releu	2
3	Capac	1	24	Condensator	1
4	Rulment 6202	1	25	Microîntrerupător	3
5	Capac central	1	26	Joncțiune de cablu	1
6	Capac	2	27	Coloană verticală	1
7	Șurub (M5X16)	1	28	Placă coloană verticală	1
8	Capac superior	1	29	Braț complet	1
9	Capac	1	30	Manșon (pentru microîntrerupător)	1
10	Șurub (M5X8)	5	31	Piuliță olandeză (M8)	2
11	Rulment 6001	1	32	Piuliță (M8)	4
12	Capac	1	33	Șurub bol	2
13	Buton de pornire/oprire	1	34	Mâner fix	2
14	Capac spate	1	35	Arc mâner fix	2
15	Șurub (M6X35)	4	36	Șurub (M8X60)	2
16	Placă antișoareci	1	37	Clemă plată	2
17	Placă electrică	1	38	Șurub (M6X16)	6
18	Transformator	1	39	Șurub (M4X8)	2
19	Tole de etanșare pentru cutie electrică	1	40	Stativ pentru microîntrerupător	2
20	Șurub (M5X8)	4	41	Corp	1
21	Cutie electrică	1	42	Comutator suprasarcină	1



RO

Piesă nr.	Denumirea piesei	Cantitatea	Piesă nr.	Denumirea piesei	Cantitatea
1	Corp	1	24	Joncțiune de cablu	1
2	Capac rulment	1	25	Condensator	1
3	Capac	2	26	Șurub de cupru (M5X12)	1
4	Rulment (6003)	1	27	Coloană verticală	1
5	Capac	3	28	Placă coloană verticală	1
6	Șurub (M6X45)	1	29	Șurub (M4X8)	2
7	Capac superior	1	30	Șurub (M6X16)	6
8	Șurub (M5X8)	7	31	Placă coloană verticală	1
9	Capac	1	32	Braț	1
10	Capac central	1	33	Manșon (pentru microîntrerupător)	1
11	Rulment (6201)	2	34	Piuliță olandeză (M8)	2
12	Șurub (M6X14)	4	35	Piuliță (M8)	2
13	Șaibă elastică 6	4	36	Șurub bol	2
14	Placă antișoareci	1	37	Mâner fix	2
15	Placă electrică	1	38	Arc mâner fix	2
16	Șurub (M6X35)	4	39	Șurub (M8X60)	2
17	Placă antișoareci	1	40	Bloc de plastic	1
18	Placă electrică	1	41	Clemă plată	2
19	Releu	2	42	Șurub (M8X25)	4
20	Tole de etanșare pentru cutie electrică	1	43	Stativ pentru microîntrerupător	1
21	Cutie electrică	1	44	Microîntrerupător	2
22	Releu cu temporizator	1	45	Comutator suprasarcină	1
23	Transformator	1			

**Figura 2: Ansamblul axului**

222836/222966:

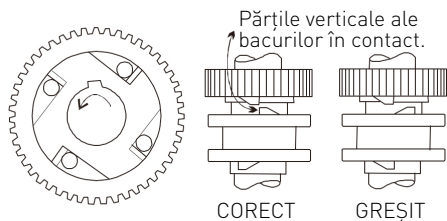
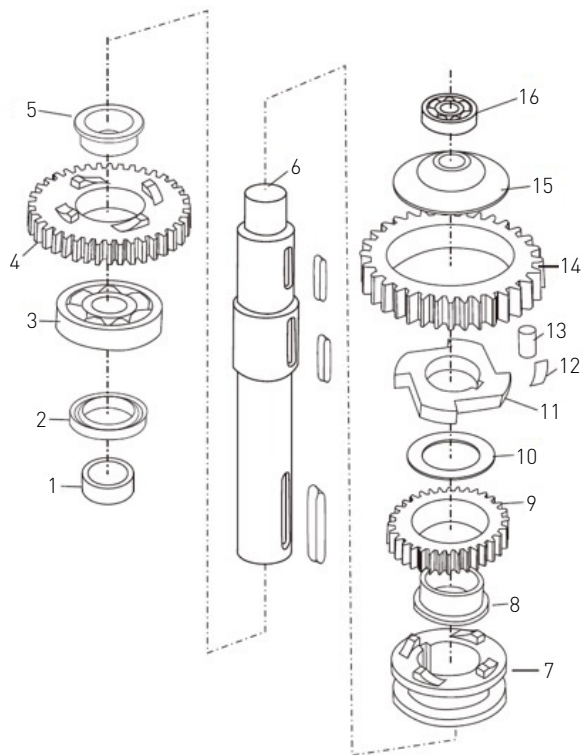


Figura 2-1

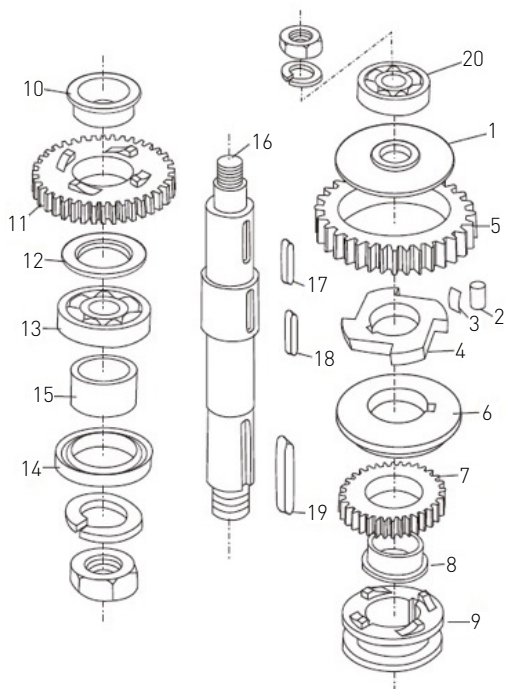
Figura 2-2

Observație:

1. Asigurați-vă că toate știfturile din figura 2-1 sunt instalate în poziția corectă și lubrifiate.
2. Verificați dacă există scurgeri de ulei după reasamblare.

Piesă nr.	Denumirea piesei	Cantitatea
1	Capac	1
2	Garnitură ulei	1
3	Rulment (6204)	1
4	Mecanism cuplor	1
5	Rulment	1
6	Ax central	1
7	Cuplor	1
8	Rulment	1
9	Inel mecanism mic	1
10	Inel separator	1
11	Dispozitiv de acționare	1
12	Arc	1
13	Rolă	1
14	Inel mecanism mare	1
15	Capac	1
16	Rulment (6001)	1





RO

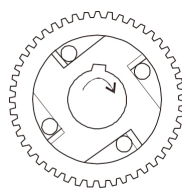


Figura 2-1

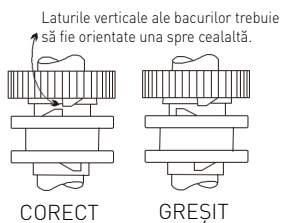


Figura 2-2

Observație:

- Asigurați-vă că toate știfturile din figura 2-1 sunt instalate în poziția corectă și lubrificate.
- Verificați dacă există scurgeri de ulei după reasamblare.

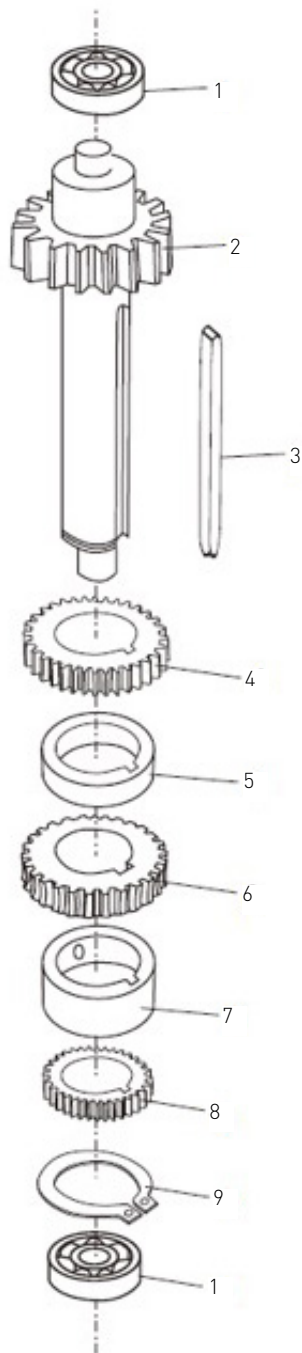
Piesă nr.	Denumirea piesei	Cantitatea
1	Capac	1
2	Rolă	1
3	Arc	1
4	Dispozitiv de acționare	1
5	Inel mecanism	1
6	Inel separator	1
7	Mecanism superior	1
8	Inel rulment	1
9	Inel de cuplare	1
10	Inel rulment	1
11	Mecanism inferior	1
12	Inel	1
13	Rulment (6205)	1
14	Garnitură ulei (30X45X10)	1
15	Separator	1
16	Ax central	1
17	Cheie (6X14)	1
18	Cheie (5X35)	1
19	Cheie (6X30)	1
20	Rulment (6003)	1





Figura 3: Ansamblu arbore angrenaj

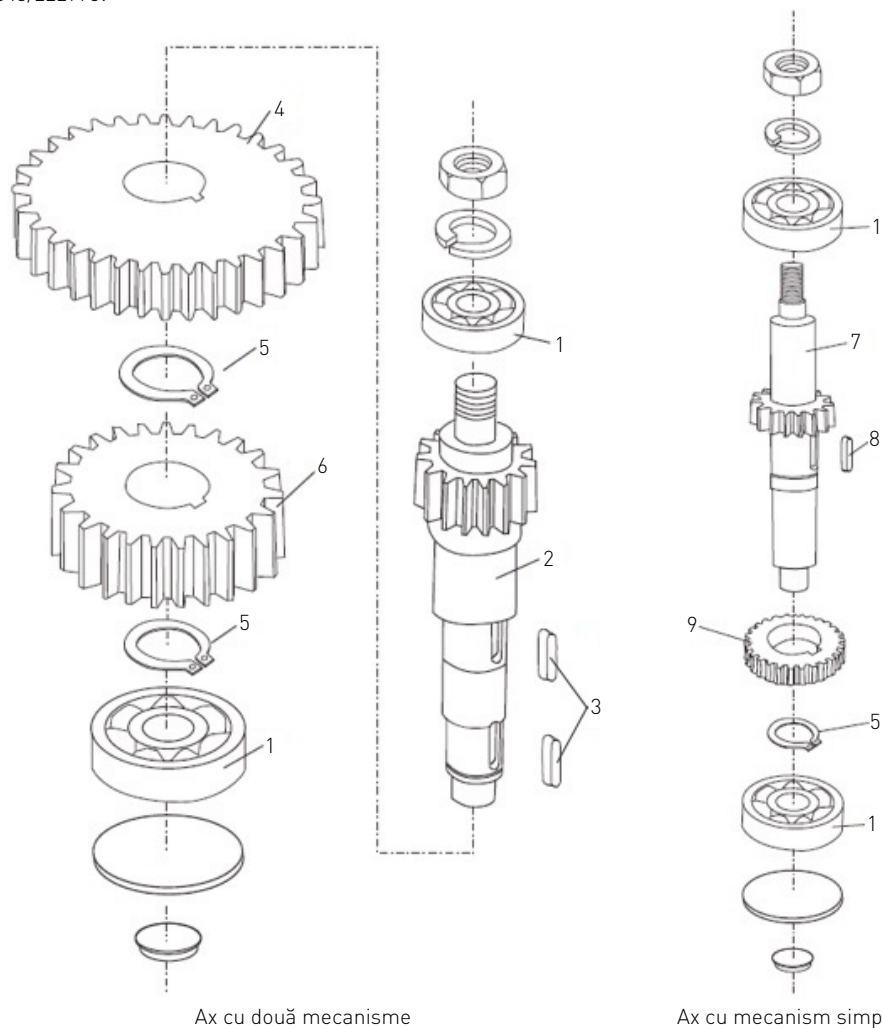
222836/222966:



Piesă nr.	Denumirea piesei	Cantitatea
1	Rulment (6001)	2
2	Ax mecanism de mare viteză	1
3	Cheie (5X58)	1
4	Mecanism superior	1
5	Separator mic	1
6	Mecanism inferior	1
7	Separator mare	1
8	Mecanism inferior	1
9	Inel elastic	1

Observație: Asigurați-vă că pana este introdusă pe fiecare roată dințată.





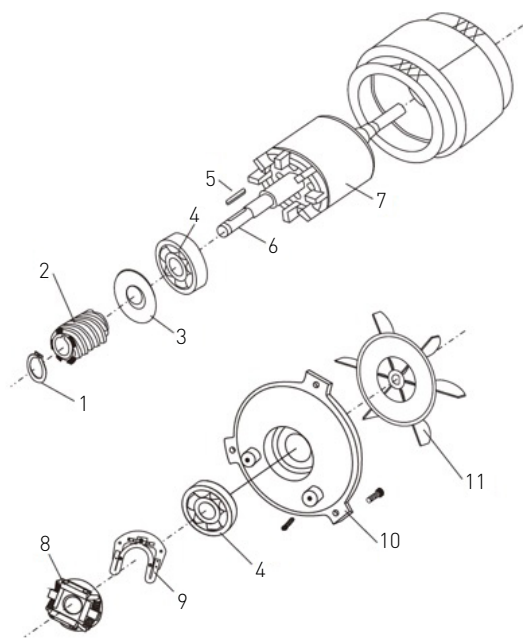
Ax cu două mecanisme

Ax cu mecanism simplu

Piesă nr.	Denumirea piesei	Cantitatea	Piesă nr.	Denumirea piesei	Cantitatea
1	Rulment (6201)	4	6	Mecanism inferior	1
2	Ax cu două mecanisme	1	7	Ax cu mecanism simplu	1
3	Cheie (5X11)	2	8	Cheie (5X14)	1
4	Mecanism superior	1	9	Mecanism	1
5	Inel elastic	3			

Observație: Asigurați-vă că pana este introdusă pe fiecare roată dințată.

Figura 4: Ansamblu motor



Piesă nr.	Denumirea piesei	Cantitatea	Piesă nr.	Denumirea piesei	Cantitatea
1	Opritor (numai pentru 222843)	1	7	Rotor	1
2	Spirală	2	8	Comutator	1
3	Garnitură ulei	1	9	Placă comutator din plastic	1
4	Rulment	1	10	Capac rulment	1
5	Cheie (4x22)	1	11	Ventilator	1
6	Ax	1			

RO

Figura 4-1

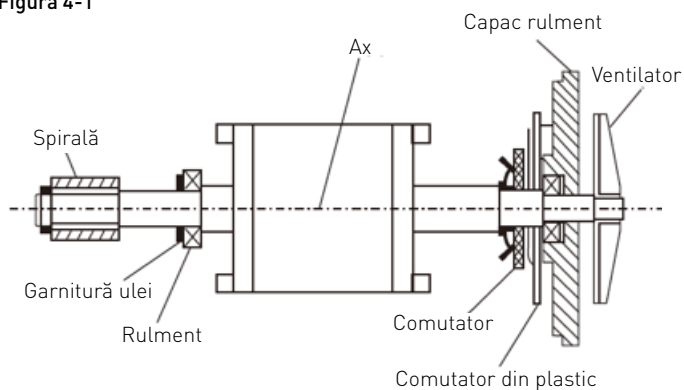
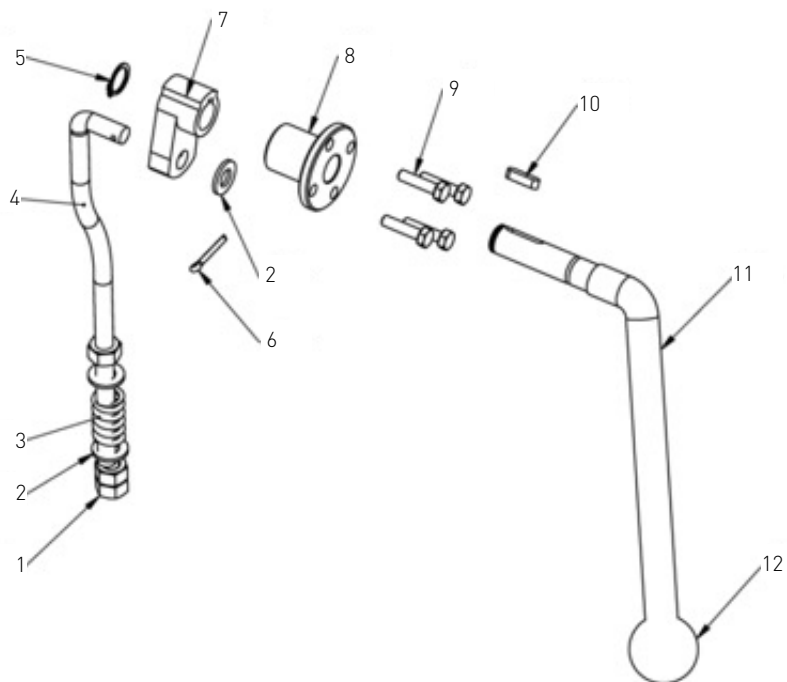


Figura 5: Ansamblul de ridicare a vasului



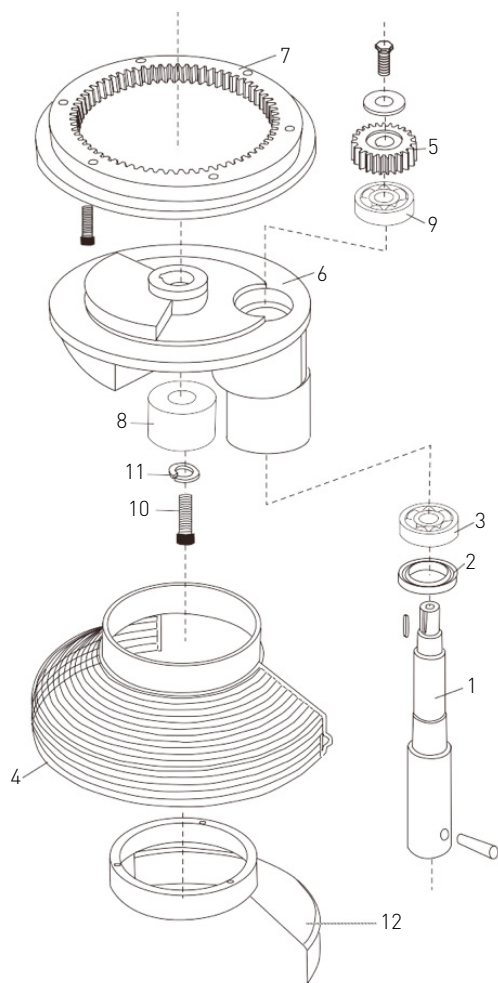
RO

Piesă nr.	Denumirea piesei	Cantitatea	Piesă nr.	Denumirea piesei	Cantitatea
1	Piuliță (M10)	3	7	Roată de vinci	1
2	Șaibă plată	2	8	Nod de flanșă	1
3	Arcul brațului	1	9	Șurub (M6X25)	4
4	Bară de ridicare	1	10	Cheie (5x20)	1
5	Opritor	1	11	Mâner de ridicare pentru bol	1
6	Cui spintecat	1	12	Bilă din plastic	1



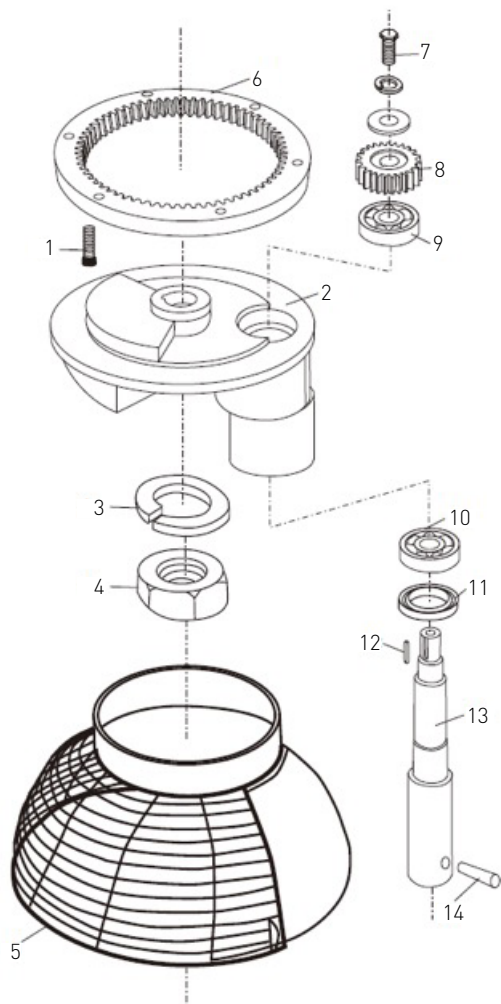
**Figura 6: Placa rotativă și axul de malaxare**

222836/222966:



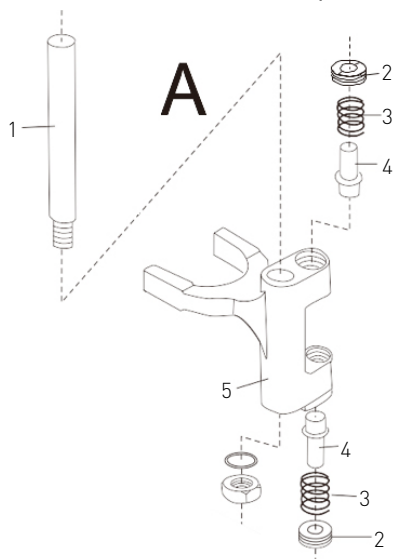
Piesă nr.	Denumirea piesei	Cantitatea	Piesă nr.	Denumirea piesei	Cantitatea
1	Ax de amestecare	1	7	Mecanism intern	1
2	Garnitură ulei (20X40X10)	1	8	Capac	1
3	Rulment	1	9	Rulment	1
4	Protecție bol	1	10	Șurub (M8X20)	1
5	Mecanism planetar	1	11	Șaibă elastică	1
6	Placă turnantă	1	12	Capac posterior protecție bol	1



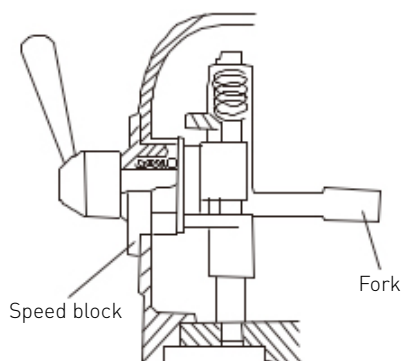
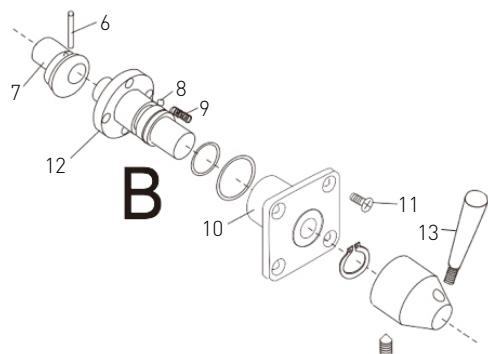


Piesă nr.	Denumirea piesei	Cantitatea	Piesă nr.	Denumirea piesei	Cantitatea
1	Șurub (M6X25)	1	8	Mecanism planetar	1
2	Placă turnantă	1	9	Rulment (6203)	1
3	Șaibă elastică	1	10	Rulment (6204)	1
4	Piuliță (M18)	1	11	Garnitură de ulei (25X50X10)	1
5	Protecție bol	1	12	Cheie (5X18)	1
6	Mecanism intern	1	13	Ax de amestecare	1
7	Șurub (M8X15)	1	14	Știft	1

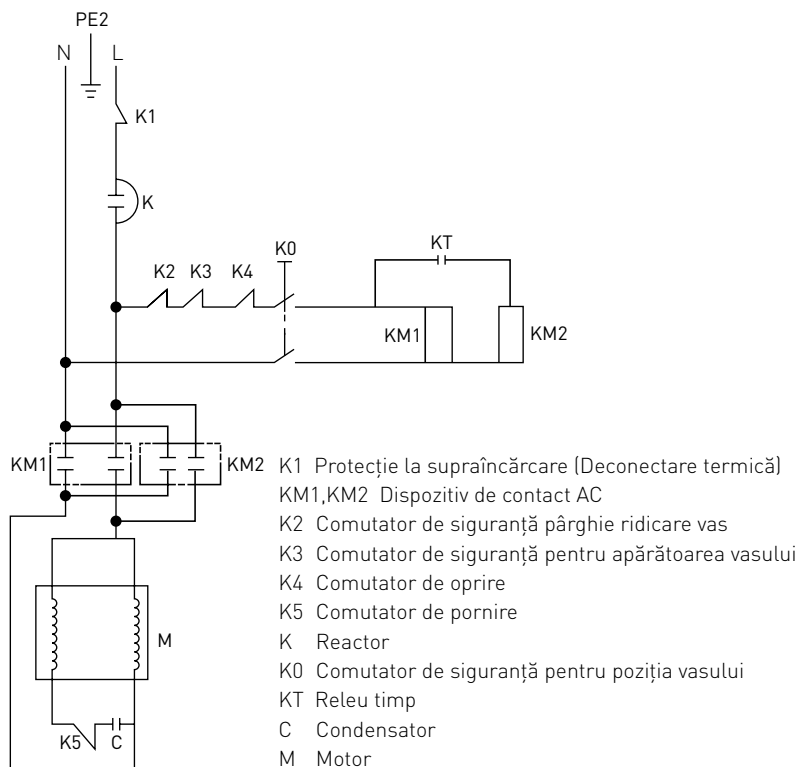
Figura 7: Ansamblul de comandă a turației



Piesă nr.	Denumirea piesei	Cantitatea	
A	1	Tijă	1
	2	Piuliță	1
	3	Arc	1
	4	Arbore	1
	5	Furcă	1
B	6	Știft (3X20)	1
	7	Nod	1
	8	Rulment cu bilă din oțel	3
	9	Arc	3
	10	Capac bloc	1
	11	Șurub (M5X10)	1
	12	Arbore	1
	13	Manetă	1



## Diagrama circuitului



## Garanție

Orice defecțiune care afectează funcționarea aparatului apărută la mai puțin de un an de la cumpărarea acestuia va fi remediată prin reparație sau înlocuire gratuită, cu condiția ca aparatul să fi fost folosit și întreținut conform instrucțiunilor nu să nu fi fost bruscat sau folosit necorespunzător în vreun fel. Drepturile dumneavoastră legale nu sunt afec-

tate. Dacă aparatul este în garanție, menționați când și de unde a fost cumpărat și includeți dovada cumpărării (de ex. chitanța).

Conform politicii noastre de dezvoltare continuă a produsului, ne rezervăm dreptul de a modifica produsul, ambalajul și documentația fără notificare.

## Eliminarea și mediul înconjurător

La dezafectarea aparatului, produsul nu trebuie aruncat împreună cu alte deșeuri menajere. În schimb, este responsabilitatea dumneavoastră să eliminați echipamentul uzat prin predarea acestuia la un punct de colectare desemnat. Nerespectarea acestei reguli poate fi penalizată în conformitate cu reglementările aplicabile privind eliminarea deșeurilor. Colectarea separată și reciclarea echipamentului dumneavoastră uzat la momentul debarasării contribuie la conservarea resurselor na-


turale și asigură realizarea reciclării într-un mod care protejează sănătatea ființelor umane și a mediului. Pentru informații suplimentare privind modul în care puteți preda deșeurile dumneavoastră în scopul reciclării, vă rugăm să contactați compania locală de colectare a deșeurilor. Producătorii și importatorii nu își asumă responsabilitatea cu privire la reciclarea, tratarea și eliminarea ecologică a deșeurilor, fie direct, fie prin intermediul unui sistem public.





Большое Вам спасибо за то, что Вы купили оборудование фирмы Hendi. Вам следует внимательно прочитать настоящую инструкцию пользователя во избежание повреждения машины в результате неправильной эксплуатации. Особенно рекомендуем ознакомиться с предупреждениями.

## Правила техники безопасности

- Неправильная эксплуатация и неподходящее использование агрегата может привести к его поломке и поранить оператора.
- Это оборудование не предназначено для домашнего использования.
- Оборудование следует использовать точно по назначению. Производитель не несет ответственности за повреждения, вызванные неправильной эксплуатацией или неправильным обслуживанием оборудования.
- Оборудование и электрическую штепсельную вилку следует держать вдали от воды и прочих жидкостей. Если штепсельная вилка попадет в воду, ее следует тут же вытаскивать из розетки электропитания и обратиться в службу сертифицированного сервиса для проверки устройства. Несоблюдение данных указаний может повлечь за собой угрозу здоровью и жизни обслуживающего персонала.
- Нельзя снимать кожух без особого разрешения.
- Нельзя класть никаких посторонних предметов вовнутрь агрегата.
- Нельзя касаться мокрыми, или влажными руками штепсельной вилки.
-  **Опасность поражения током!** Не следует самостоятельно чинить электроаппаратуру. Любые поломки и неисправности должны устраняться квалифицированным персоналом.
- **Никогда не следует пользоваться поврежденной электроаппаратурой.** Поврежденное устройство нужно отсоединить от электросети и обратиться к продавцу.
- **Предупреждение:** не следует погружать электрических деталей в воду, или иные жидкости. Не омыwać в струе воды.
- Регулярно проверять вилку и провод электропитания на предмет повреждений. Поврежденные вилку или провод передать для ремонта в сервисную точку, или обратиться к квалифицированному электрику во имя предотвращения опасности травм.
- Удостовериться, что провод электропитания не касается острых и горячих предметов; держать электропровод вдали от открытого огня. Для того, чтобы вынуть вилку из розетки всегда нужно тянуть за вилку, а не за электропровод.
- Защитить провод электропитания (удлинитель) от случайного выпадения из розетки. Электропровод прокладывать так, чтобы случайно не зацепиться за него.
- Непрестанно наблюдать за работающей электроаппаратурой.
- **Предупреждение!** Если вилка находится в розетке – это означает, что электроаппаратура считается подключенной к электропитанию.
- Перед тем, как вынуть вилку из розетки, электроаппаратуру следует выключить!
- Никогда нельзя переносить, передвигать электроаппаратуру держа за электропровод.
- Не использовать никаких деталей, аксессуаров, которые не поставляются вместе с




этой электроаппаратурой.

- Электроаппаратуру следует подключать исключительно к розетке, в которой имеется напряжение и частоту, указанную на щитке электроаппаратуры.
- Вилку следует вставлять в розетку, расположенную в удобном и легкодоступном месте, так чтобы в случае аварии можно бы ее немедленно вынуть. Для полного обесточивания электроаппаратуры ее следует отсоединить от электропитания; для этого следует вынуть вилку, находящуюся на конце провода электропитания, из розетки.
- Перед тем, как вынуть вилку всегда следует помнить о том, чтобы сначала выключить электроаппаратуру!
- Не следует использовать детали, аксессуары, не рекомендуемые производителем данной электроаппаратуры, т.к. использование таких деталей, аксессуаров может создать для пользователя угрозу его здоровью и жизни, а также может привести к поломке электроаппаратуры. Следует всего использовать оригинальные детали, аксессуары.
- Без надлежащего контроля или предварительного обучения эксплуатации оборудования проводимого лицом, отвечающим за безопасную эксплуатацию, оборудованием не могут пользоваться ни дети, ни лица с ограниченными физическими, или психическими возможностями, ни лица, которые не обладают необходимым опытом работы и знаниями в данной области.
- Ни в коем случае нельзя допускать к использованию электроаппаратуры детей.
- Электроаппаратуру следует хранить в месте недоступном для детей.
- Нельзя разрешать детям использовать электроаппаратуру в качестве игрушки.
- Всегда электроаппаратуру следует отсоединить от электропитания, если оставляем ее без надзора, перед монтажом, демонтажем и чисткой.
- Нельзя оставлять работающую электроаппаратуру без надзора.

RU

## Специальные правила техники безопасности

- Используйте устройство только в соответствии с руководством.
- Устройство должен устанавливать и эксплуатировать только квалифицированный персонал кухни в точках общественного питания, например, кейтеринга, пекарни, пиццерии, кондитерских и т.п.
- Все операции по техническому обслуживанию, монтажу и ремонту устройства должны проводить квалифицированные и сертифицированные технические специалисты.
-  На задней стороне находится эквипотенциальный разъем для кросс-подключения к другому устройству
- Не устанавливайте устройство на объекте, излучающем тепло (газовая или электрическая плита, гриль и т.п.). Держите устройство вдали от любых горячих поверхностей или открытого пламени. Устанавливайте устройство на ровной, стабильной, чистой и сухой поверхности, устойчивой к воздействию высоких температур.
- Не пользуйтесь устройством вблизи легковоспламеняющихся или взрывоопасных материалов, платежных карт, магнитных дисков или радиоприёмников.



- При необходимости, во время работы устройства наденьте защитную одежду, маску или защитные очки.
- Устройство не предназначено для работы с помощью внешнего таймера или отдельной системы дистанционного управления.
- Никогда самостоятельно не вскрывайте и не ремонтируйте предохранительные устройства.
- **ПРЕДУПРЕЖДЕНИЕ:** Не закрывайте вентиляционные отверстия устройства.
- **ПРЕДУПРЕЖДЕНИЕ: ВСЕГДА** помните, чтобы выключить и отключить устройство от источника питания перед очисткой, техническим обслуживанием или заменой принадлежностей.
- Обеспечьте, по крайней мере, 30 см пространства вокруг устройства для обеспечения надлежащей вентиляции.
- **Внимание!** Уложите и защитите шнур питания таким образом, чтобы его случайно не потянуть или предотвратить контакт с нагревательной плитой.
- **ПРЕДУПРЕЖДЕНИЕ! ВСЕГДА** помните, чтобы не носить свободную одежду и не прикасаться к движущимся частям руками, а также завязывать волосы.
- Во время работы не кладите руки под крышку или в чашу.
- Не кладите в чашу слишком большого количества ингредиентов, чтобы предотвратить выливания содержимого. Чаша вмещает до 10 литров (модель 222836, 222966) или 20 литров (модель 222843, 222973).
- Не мойте устройство водой или сильной струёй. При мойке устройства вода может попасть в электрические детали и вызвать поражение электрическим током. Части устройства нельзя мыть в посудомоечной машине.
- Не чистите и не помещайте устройство на хранение, пока оно полностью не остынет.
- Соблюдайте особенную осторожность во время перенесения устройства из-за его веса. Устройство должны переносить два человека или перемещать с помощью погрузчика. Переносите устройство медленно и осторожно, не наклоняйте его под углом более, чем на 45°.

### Назначение устройства

- Это оборудование предназначено для профессионального использования и может эксплуатироваться только квалифицированным персоналом.
- Устройство предназначено для коммерческого использования и используется для смешивания, замешивания и эмульгирования / взбивания пищевых продуктов в точках обществен-

ного питания и в магазинах. Использование устройства для любых других целей может привести к повреждению или травме тела.

- Использование устройства для любых других целей будет рассматриваться, как использование не по назначению. Пользователь будет нести исключительную ответственность за неправильное использование устройства.

### Монтаж заземления

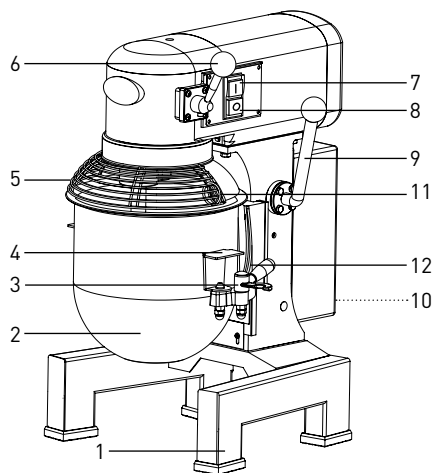
Миксер является устройством I класса защиты и должен быть заземлен. Заземление снижает риск поражения электрическим током за счет использования отводящего провода. Устройство

оснащено проводом заземления с заземляющей вилкой. Вилка должна быть подключена к розетке переменного тока, которая надлежащим образом установлена и заземлена.

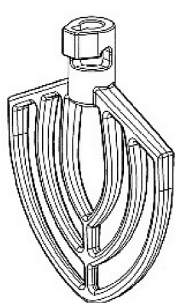


## Основные части устройства

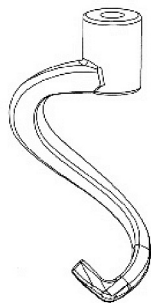
1. Стабильная поддержка устройства
2. Чаша
3. Зажимы чаши (x 2)
4. Держатели чаши (x 2)
5. Обод чаши
6. Ручка регулятора скорости  
(3 установки скорости для 3 аксессуаров)
7. Выключатель (ЗЕЛЁНАЯ кнопка, I)
8. Выключатель (Красная кнопка, 0)
9. Рычаг для подъема/ опускания чаши
10. Кнопка RESET (в задней части устройства)
11. Держатель обода чаши
12. Кронштейн чаши



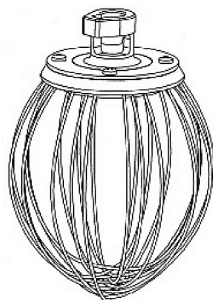
## Аксессуары



Плоская мешалка



Крюк для замеса теста



Венчик

## Перед установкой

- Осторожно ослабьте винты крепления устройства к опорному элементу, при необходимости - с помощью гаечного ключа.
- Снимите и удалите упаковку и защиты.
- Проверьте комплектность устройства и возможные повреждения, полученные во время транспортировки. В случае неполной поставки (например, отсутствия аксессуаров) или повреждения установки, немедленно свяжитесь с поставщиком. В этом случае, НЕ пользуйтесь устройством. (Смотри ==> Гарантия).
- Очистите устройство и его аксессуары (Смотри ==> Очистка и техническое обслуживание).
- Убедитесь, что устройство полностью сухое.
- Сохраните упаковку для хранения устройства, если оно не используется в течение длительного периода времени.

## Сборка

- Внимательно прочитайте руководство перед установкой и использованием устройства.
- Убедитесь, что устройство расположено на сухой поверхности с достаточной прочностью, там, где обеспечен легкий доступ к устройству.
- Проверьте, что спецификация устройства, указанная на щитке, соответствует параметрам электрической розетки, к которой устройство должно быть подключено.
- Для того, чтобы пользователь мог работать, вокруг устройства необходимо поддерживать до-

статочное пространство. Вокруг устройства не могут находиться любые предметы, такие как овощечистки, ножи и т.д.

- При работе с устройством не носите свободную одежду, например, шарфы и т.д., завяжите волосы и не приближайтесь какой-либо частью тела к движущимся элементам устройства.

**ВНИМАНИЕ!** Никогда не отключайте предохранительный выключатель.

## Транспортировка и эксплуатация устройства

- Не перемещайте устройство во время работы.
- Если вы хотите перенести устройство в другое место, сначала отсоедините вилку из розетки, выньте чашу [2], отсоедините аксессуары (венчик, плоскую мешалку или крюк для замеса теста).

- При перемещении устройства держите устройство за основание [1].

- Из-за веса устройства, устройство должны переносить два человека или перемещать с помощью погрузчика.

## Специальные средства безопасности

**Внимание:** Устройство оснащено 3 защитными элементами. Устройство может быть запущено только тогда, когда все защитные элементы находятся в правильном положении.

- Защита чаши: Устройство может быть запущено только тогда, когда чаша [2] будет правильно установлена на кронштейне.
- Защита обода чаши [5]: Устройство может быть запущено только тогда, когда обод чаши [5] будет правильно закреплен и зафиксирован.

- Защита рычага для подъема/ опускания чаши [9]: Устройство может быть запущено только тогда, когда рычаг [9] будет находиться в верхнем положении.

При работе с устройством не носите свободную одежду, например, шарфы и т.д., завяжите волосы и не приближайтесь какой-либо частью тела к движущимся элементам устройства.

## Обслуживание

**Для того, чтобы избежать серьезных травм:**

- **НИКОГДА НЕ** пользуйтесь устройством пока не прочитаете данное руководство.
- **ВСЕГДА** помните, чтобы выключить устройство (путём нажатия КРАСНОЙ кнопки „0“ [8]) и отключить от источника питания перед очисткой,

техническим обслуживанием, ремонтом или заменой аксессуаров.

- **ВСЕГДА** помните, чтобы не носить свободную одежду и не прикасаться к движущимся элементам устройства руками и завязывать волосы.

### а) Обод чаши

**Внимание:** Если обод чаши [5] открытый, это значит, что он не был правильно установлен и закрыт, устройство не будет работать.

1. Для того, чтобы открыть обод чаши [5], схватите держатель обода чаши [11] и поверните по часовой стрелке. Для того, чтобы закрыть обод чаши [5], схватите держатель обода чаши [11] и поверните против часовой стрелки.

2. Когда держатель обода чаши [11] находится на одном уровне с правой стороны устройства, обод чаши [5] находится в правильном положении, и вы можете начать работу.



## б) Установите чашу (2) устройства

Внимание: Установите чашу (2) устройства ПЕРВОУСТАНОВКОЙ аксессуаров. Используйте только чашу (2), поставляемую вместе с устройством.

1. Опустите кронштейн чаши (2) при помощи рычага (9), направляя его вниз, пока чаша не остановится. Кронштейн чаши (12) должен находиться в нижнем положении.

2. Осторожно и медленно поместите чашу (2) на кронштейне при помощи держателей (4), расположенных по обе стороны, а затем

i) поместить стопорный штифт в отверстие, расположенное в середине кронштейна чаши (12) и

ii) закрепите чашу (2), потянув зажимы чаши (3) вверх пока не зафиксируете чашу (2).



## в) Установите необходимые аксессуары (плоскую мешалку, крюк для замеса теста или венчик)

Внимание: Удобнее всего установить аксессуары перед тем, как поместите в чашу (2) ингредиенты.

1. Осторожно поверните обод чаши (5) при помощи держателя обода чаши по часовой стрелке, чтобы переместить её в открытое положение.

2. **ВНИМАНИЕ!** Чрезмерное усилие при открытии или закрытии обода чаши (6) может привести к повреждению защитного элемента микропе-

реключателя. Будьте осторожны при открытии или закрытии обода чаши (6).

3. Медленно вложите аксессуары (плоскую мешалку, крюк для замеса теста или венчик) в вал планетарного миксера, вставляя болт вала через отверстие аксессуара.

4. Поверните аксессуар, чтобы заблокировать его в вале планетарного миксера.

## г) Заливка и смешивание ингредиентов

Внимание: Следуйте таблице, представленной в этом руководстве, для определения максимального количества ингредиентов, соответствующего емкости чаши. Наполнение чаши больше её ёмкости, может привести к выливаю и повреждению устройства.

**ВАЖНАЯ ИНФОРМАЦИЯ:** Убедитесь, что ручка регулятора скорости (6) установлена в положение „Крюк для замеса теста“.

1. Поместите необходимые ингредиенты в чашу (2).

2. Передвиньте рычаг для подъема/ опускания чаши (9) вверх, пока чаша (2) не будет находиться в правильном положении.

3. Поверните обод чаши (5) против часовой стрелки, пока он не зафиксируется.

**ВНИМАНИЕ:** Устройство не начнет работу, если обод чаши (5) открыт / не был правильно зафиксирован или чаша (2) находится в нижнем положении.

## е) Установите таймер, скорость и запустите устройство

1. Затем выберите необходимую скорость перемешивания при помощи рычага регулятора скорости (6). Для выбора имеются три скорости для различных аксессуаров:

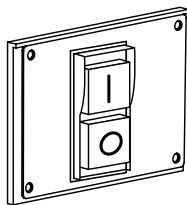
Скорость смешивания	Вид ингредиента
Крюк для замеса теста (низкая)	тяжелый: Смешивание теста для пиццы, хлеба, макаронных изделий
Плоская мешалка (средняя)	средне-тяжелый: Второй этап смешивания, например, тесто для хлебобулочных изделий и т.д.
Венчик (высокая)	легкий: Взбивание сливок, белков, безе

**ВАЖНАЯ ИНФОРМАЦИЯ: ВСЕГДА** используйте рекомендованный аксессуар и скорость установки в соответствии с таблицей ёмкости, а также рекомендации, находящиеся рядом с ручкой регулятора скорости (6).

**ВНИМАНИЕ:** При пересыпке ингредиентов в чашу (2), обращайтесь внимание на пыль и муку, выходящих из открытых упаковок. В случае необходимости, оденьте защитные очки.

2. Затем нажмите **ЗЕЛЕНЫЙ** выключатель „I” (7), чтобы **включить** устройство. Нажмите на **КРАСНЫЙ** выключатель „0” (8), чтобы **ОСТАНОВИТЬ** работу устройства.

Устройство начнет перемешивание в направлении по часовой стрелке в случае модели 222843 и против часовой стрелки в случае модели 222836.



3. **ВНИМАНИЕ!** Перед изменением скорости **ВСЕГДА** сначала остановите устройство. Изменение скорости без остановки устройства может привести к повреждению внутренней конструкции устройства.

4. Для того, чтобы изменить скорость во время работы:
- Нажмите **КРАСНЫЙ** выключатель „0” (8), чтобы остановить работу устройства.
  - Отключите вилку из гнезда и замените аксессуар [Смотри ==> часть c]
  - Выберите подходящую скорость перемешивания с помощью ручки управления скоростью (6) для соответствующего аксессуара.
  - Нажмите **ЗЕЛЁНУЮ** кнопку „I” (7), чтобы перезагрузить устройство.

### Сброс теплового предохранителя (защита от перегрева)

Следует помнить, что кнопка RESET теплового предохранителя (10) расположена в задней части устройства.

- Сначала отключите устройство от источника питания.

- Оставьте устройство остывать.
- Нажмите кнопку RESET (10) теплового предохранителя (защита от перегрева).
- Затем снова подключите устройство к источнику питания и включите.

RU

### Таблица ёмкости, определяющая максимальное количество ингредиентов

Таблица, представленная ниже, имеет условный характер и определяет максимальное количество ингредиентов, которые могут быть использованы

для приготовления различных видов блюд. Есть целый ряд переменных факторов, например, тип используемой муки, температура воды и т.д.

Продукт	Аксессуар	Максимальное количество			
		222836	222966	222843	222973
Яичный белок	Венчик	1,0 кг		1,5 кг	
Картофельное пюре	Плоская мешалка	2,0 кг		2,5 кг	
Безе (количество воды)	Венчик	1,5 литра		2,0 литра	
Тесто для блинов или вафель	Плоская мешалка	2,5 литра		3,0 литра	
Взбитые сливки	Венчик	3,5 литра		4,0 литра	
Тесто для пиццы (средняя густота, 50% воды)	Крюк для замеса теста	2,0 кг		2,5 кг	
Тесто для пиццы (Густое, 60% воды)	Крюк для замеса теста	2,5 кг		3,0 кг	
Бисквит	Венчик	1,5 кг		2,0 кг	
Тесто для пирога	Плоская мешалка	2,0 кг		2,5 кг	
Тесто для хлеба или булки (Лёгкое/Средней густоты, 60% воды)	Крюк для замеса теста	Вода 1,5 кг / Мука 2,5 кг		Вода 3,0 кг / Мука 5,0 кг	



## Очистка и техническое обслуживание

**Замечание:** Перед очисткой, техническим обслуживанием, ремонтом и размещением устройства на хранение, всегда отключайте устройство от электросети и подождите, пока оно остынет.

### Очистка

- Перед чисткой устройства всегда отключайте аксессуары - в противном случае они могут заблокировать вал и их будет трудно вынуть.
- После каждого использования тщательно очистите устройство и аксессуары и убедитесь, что вы удалили все остатки пищи.
- Никогда не погружайте устройство в воду или другие жидкости.
- Поверхности устройства следует чистить влажной тканью или губкой с небольшим количеством раствора мягкого моющего средства.
- Для очистки внутренней поверхности и наружных частей устройства, никогда не используйте абразивные губки или абразивные моющие средства, а также губки с металлической мочалкой или металлический инструмент.
- НЕ мойте устройство водой или под сильной струей воды. Мытьё устройства водой может привести к проникновению воды в электрические части и привести к поражению электрическим током.
- Детали устройства и аксессуары нельзя мыть в посудомоечной машине.

Рекомендуемый метод очистки устройства:

Детали	Очистка	Частота
Чаша	С помощью губки или влажной тряпки с небольшим количеством раствора мягкого моющего средства, промойте, дезинфицируйте и тщательно высушите.	Мойте после каждого использования.
Аксессуары (крюк для замеса теста, плоская мешалка и венчик)	Вымойте вручную губкой или влажной тканью с помощью раствора мягкого моющего средства, дезинфицируйте и тщательно высушите.	Мойте после каждого использования.
Обод чаши	Вымойте вручную губкой или влажной тканью с помощью раствора мягкого моющего средства, промойте, дезинфицируйте и тщательно высушите.	Мойте после каждого использования.
Наружная поверхность	Протрите тканью с помощью раствора мягкого моющего средства, промойте, дезинфицируйте и тщательно высушите. Для очистки не используйте струю воды.	Два раза в неделю
Вал планетарного механизма	Протрите тканью с помощью раствора мягкого моющего средства, промойте, дезинфицируйте и тщательно высушите.	Мойте после каждого использования.

### Хранение

- Перед помещением на хранение, убедитесь, что устройство отключено от сети и полностью остыло.
- Храните устройство в холодном, чистом и сухом месте.





## Поиск и устранение неисправностей

Если устройство не работает должным образом, обратитесь к приведенной ниже таблице, чтобы найти правильное решение. Если вы не можете решить проблему, обратитесь к поставщику. НИКОГДА не выполняйте ремонт самостоятельно.

Проблема	Возможная причина	Возможное решение
Устройство не включается	Обод чаши (5) не находится в правильном (зафиксированном) положении.	Поверните обод чаши (5) вправо, пока он не будет в правильном (зафиксированном) положении.
	Чаша (2) не была достаточно поднята и не находится в правильном положении	Поднимите чашу (2) до правильного положения с помощью рычага (9).
	Вилка неправильно подключена к источнику питания.	Проверьте, правильно ли вилка подключена к источнику питания.
Устройство останавливается во время работы.	Сработала внутренняя защита от перегрева.	Нажмите на КРАСНЫЙ выключатель „0“ (8), отключите устройство от источника питания, оставьте пока не остынет, нажмите на кнопку RESET (10) расположенную в задней части устройства.
	Поврежден или изношен зубчатый ремень.	Обратитесь к поставщику.
Устройство работает слишком громко	Устройство не стоит на горизонтальной поверхности.	Установите поверхность горизонтально или перенесите устройство на другую горизонтальную поверхность.
	Чаша (2) не правильно установлена в кронштейне.	Убедитесь, что чаша (2) правильно установлен в кронштейне (12), с правильно расположенными стопорными штифтами (3).
	Аксессуары не были правильно установлены.	Вывньте аксессуары и установите их правильно.
	Слишком много ингредиентов в чаше	Следует уменьшить количество ингредиентов.
	Поврежден или изношен зубчатый ремень.	Обратитесь к поставщику.
	Планетарная передача должна быть смазана	
Трудная установка аксессуаров в планетарном валу.	Планетарный вал недостаточно смазан и / или требует очистки.	Планетарный вал протрите чистой влажной тканью и смажьте вал при помощи минерального масла или смазки.
Рычаг для подъема/опускания чаши (9) заедает.	Недостаточное количество смазки на сторонах чаши.	Смажьте стороны миски минеральным маслом или смазкой.



## Техническая характеристика

№ продукта		222836	222843
Рабочее напряжение и частота:		220 – 240 В~ 50 Гц	
Потребляемая мощность		600 Вт	1100Вт
Вес нетто (прим.):		53 кг	78 кг
Степень защиты:		I Класс	
Класс влагозащиты		IP21	
Скорость вращения (об./мин)	Крюк для замеса теста	148	197
	Плоская мешалка	244	317
	Венчик	480	462
Максимальная ёмкость чаши		10 л	20 л
Максимальное количества муки во время перемешивания		2,5 кг	5,0 кг
Максимальный уровень шума		< 70 дБ (А)	
Внешние размеры		480 x 400 x (H) 630мм	560 x 500 x (H) 880мм

**Внимание: Техническая характеристика может быть изменена без предварительного уведомления.**

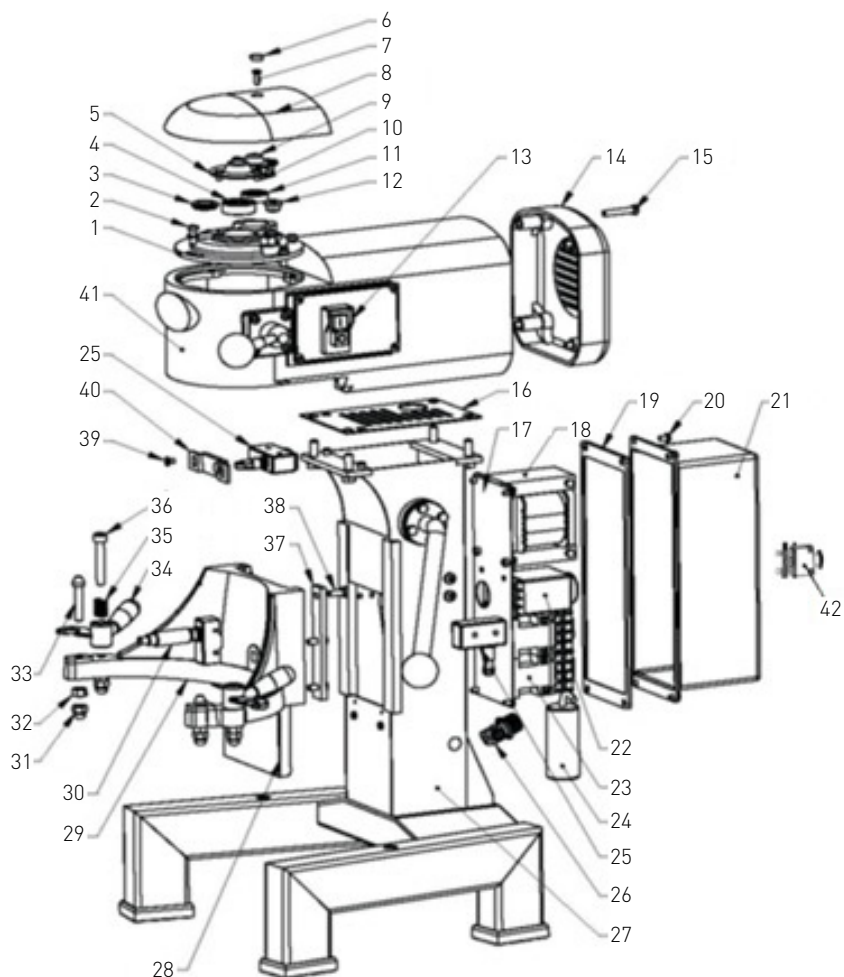
## Сборочный чертёж и список деталей

**Внимание:** Сборочный чертёж и список деталей состоит из указанных ниже частей:

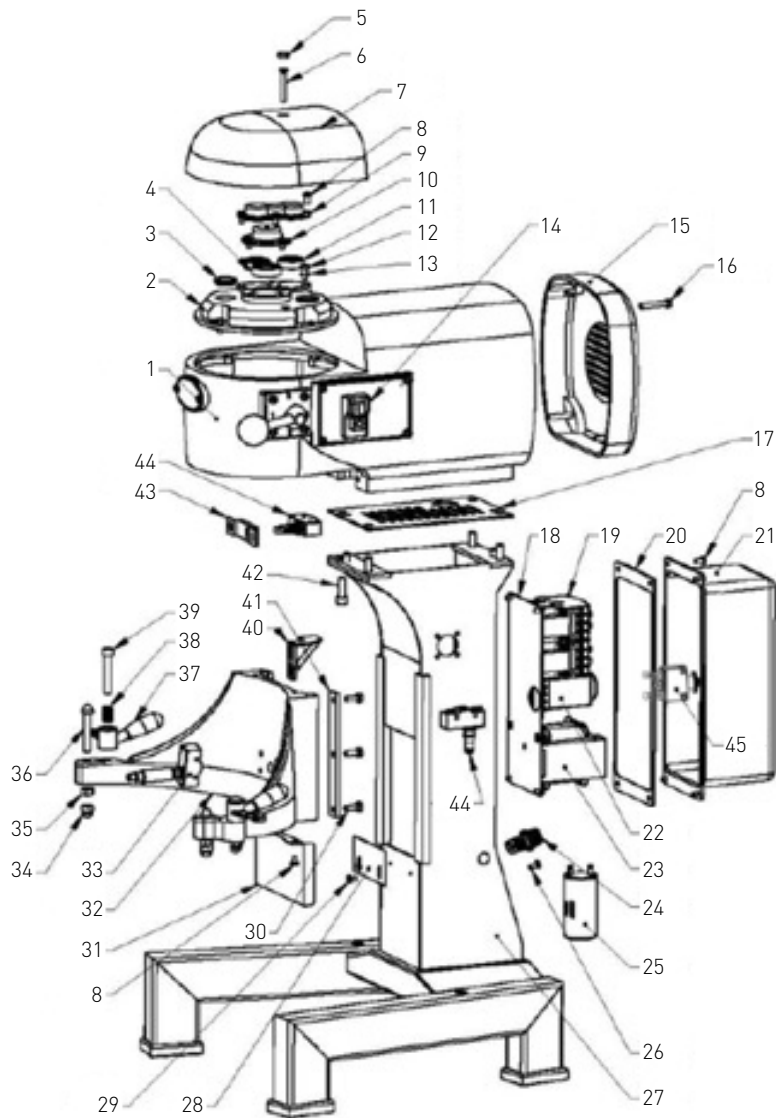
- С верхней стороны устройства – система передачи, кронштейн чаши и кронштейн устройства (Рис. 1);
- Двигатель в сборе (Рис. 4);
- Узел подъема чаши (Рис. 5);
- Узел оси (Рис. 2);
- Вращательная пластина и смесительная ось (Рис. 6);
- Узел осевой шестерни (Рис. 3);
- Узел регулирования скорости (Рис. 7)

**Рис. 1: Система передачи, кронштейн чаши и кронштейн устройства**

222836/222966:



№ части	Название части	Количество	№ части	Название части	Количество
1	Кожух подшипника	1	22	Реле таймера	1
2	Винт (М6Х16)	4	23	Реле	2
3	Кожух	1	24	Конденсатор	1
4	Подшипник 6202	1	25	Микровыключатель	3
5	Центральная крышка	1	26	Кабельное соединение	1
6	Кожух	2	27	Вертикальная колонна	1
7	Винт (М5Х16)	1	28	Плата вертикальной колонны	1
8	Верхняя крышка	1	29	Рычаг в сборе	1
9	Кожух	1	30	Рукав (для микровыключателя)	1
10	Винт (М5Х8)	5	31	Колпачковая гайка (М8)	2
11	Подшипник 6001	1	32	Гайка (М8)	4
12	Кожух	1	33	Винт сосуда	2
13	Выключатель питания	1	34	Фиксированная ручка	2
14	Задняя крышка	1	35	Фиксированная пружина ручки	2
15	Винт (М6Х35)	4	36	Винт (М8Х60)	2
16	Пластина для защиты от мышей	1	37	Плоский зажим	2
17	Электрическая плата	1	38	Винт (М6Х16)	6
18	Трансформатор	1	39	Винт (М4Х8)	2
19	Уплотнительные полоски электрического блока	1	40	Стойка микровыключателей	2
20	Винт (М5Х8)	4	41	Корпус	1
21	Электрический блок	1	42	Перегруженный выключатель	1



RU



№ части	Название части	Количество	№ части	Название части	Количество
1	Корпус	1	24	Кабельное соединение	1
2	Кожух подшипника	1	25	Конденсатор	1
3	Кожух	2	26	Медный винт (M5X12)	1
4	Подшипник (6003)	1	27	Вертикальная колонна	1
5	Кожух	3	28	Плата вертикальной колонны	1
6	Винт (M6X45)	1	29	Винт (M4X8)	2
7	Верхняя крышка	1	30	Винт (M6X16)	6
8	Винт (M5X8)	7	31	Плата вертикальной колонны	1
9	Кожух	1	32	Рычаг	1
10	Центральная крышка	1	33	Рукав (для микровыключателя)	1
11	Подшипник (6201)	2	34	Колпачковая гайка (M8)	2
12	Винт (M6X14)	4	35	Гайка (M8)	2
13	Пружинная шайба 6	4	36	Винт сосуда	2
14	Выключатель питания	1	37	Фиксированная ручка	2
15	Задняя крышка	1	38	Фиксированная пружина ручки	2
16	Винт (M6X35)	4	39	Винт (M8X60)	2
17	Пластина для защиты от мышей	1	40	Пластиковый блок	1
18	Электрическая плата	1	41	Плоский зажим	2
19	Реле	2	42	Винт (M8X25)	4
20	Уплотнительные полосы электрического блока	1	43	Стойка микровыключателей	1
21	Электрический блок	1	44	Микровыключатель	2
22	Реле таймера	1	45	Перегруженный выключатель	1
23	Трансформатор	1			

Рис. 2: Узел оси

222836/222966:

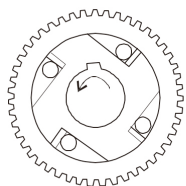
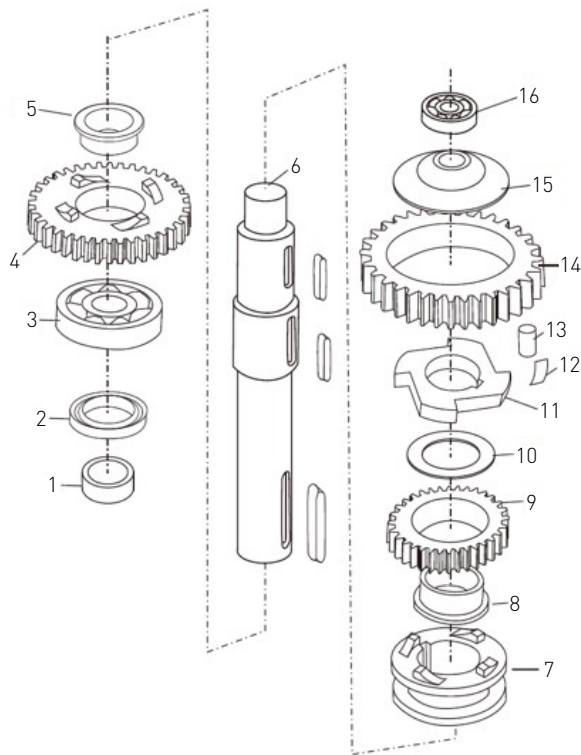


Рис. 2-1

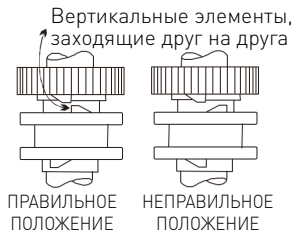


Рис. 2-2

Внимание:

1. Не забудьте смонтировать детали в нужных местах и смазать болты, показанные на рисунке 2-1.
2. Проверьте, находится ли сальник в правильном положении после повторной сборки устройства.

№ части	Название части	Количество
1	Кожух	1
2	Масляное уплотнение	1
3	Подшипник (6204)	1
4	Соединительный редуктор	1
5	Подшипник	1
6	Центральная ось	1
7	Соединитель	1
8	Подшипник	1
9	Малое редукторное кольцо	1
10	Кольцо разделителя	1
11	Активатор	1
12	Пружина	1
13	Ролик	1
14	Большое редукторное кольцо	1
15	Кожух	1
16	Подшипник (6001)	1



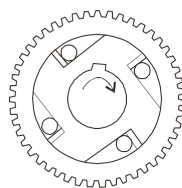
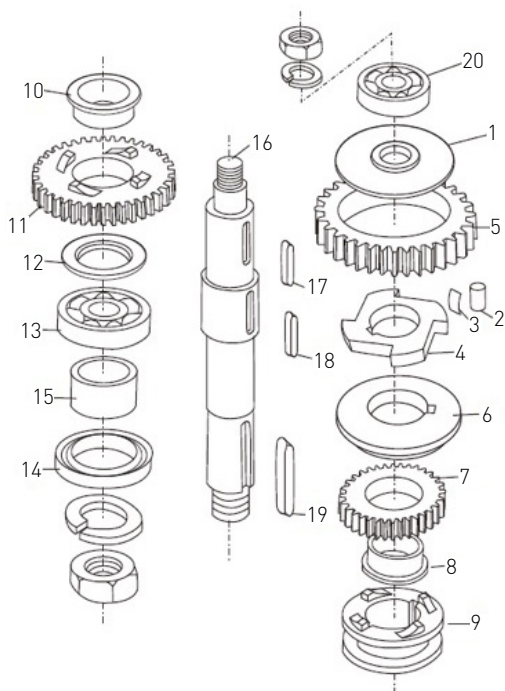
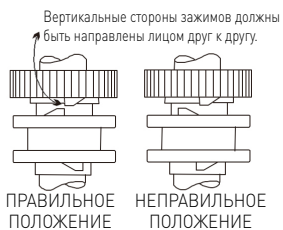


Рис. 2-1



ПРАВИЛЬНОЕ ПОЛОЖЕНИЕ      НЕПРАВИЛЬНОЕ ПОЛОЖЕНИЕ

Рис. 2-2

**Внимание:**

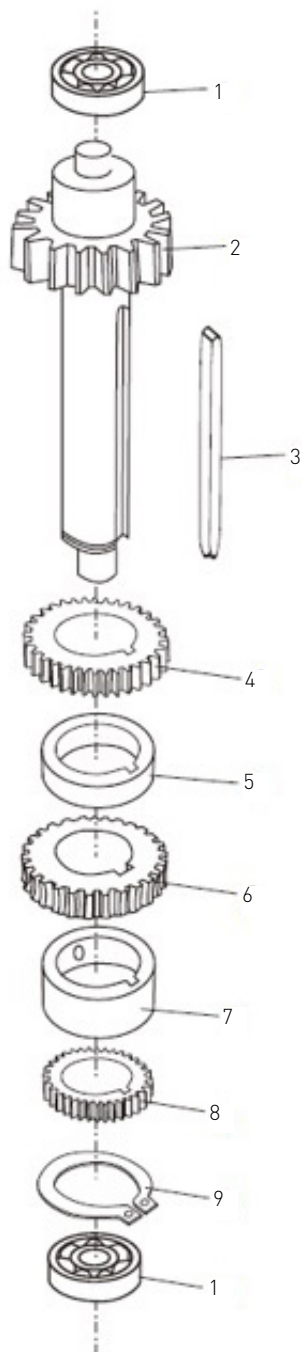
1. Не забудьте смонтировать детали в нужных местах и смазать болты, показанные на рисунке 2-1.
2. Проверьте, находится ли сальник в правильном положении после повторной сборки устройства.

№ части	Название части	Количество
1	Кожух	1
2	Ролик	1
3	Пружина	1
4	Активатор	1
5	Редукторное кольцо	1
6	Кольцо разделителя	1
7	Верхний редуктор	1
8	Кольцо подшипника	1
9	Кольцо захвата	1
10	Кольцо подшипника	1
11	Нижний редуктор	1
12	Кольцо	1
13	Подшипник {6205}	1
14	Масляное уплотнение {30X45X10}	1
15	Стойка	1
16	Центральная ось	1
17	Ключ {6X14}	1
18	Ключ {5X35}	1
19	Ключ {6X30}	1
20	Подшипник {6003}	1



Рис. 3: Узел осевой шестерни

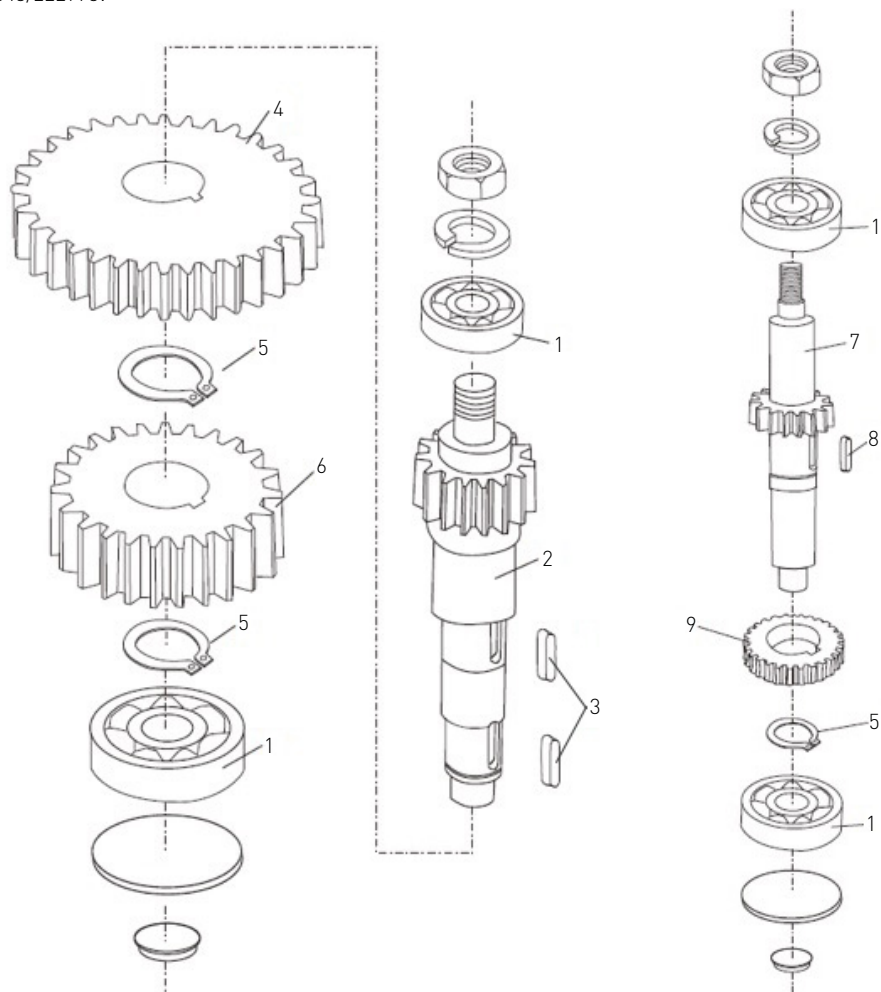
222836/222966:



№ части	Название части	Количество
1	Подшипник (6001)	2
2	Высокоскоростная ось с редуктором	1
3	Ключ (5X58)	1
4	Самый верхний редуктор	1
5	Малая стойка	1
6	Нижний редуктор	1
7	Большая стойка	1
8	Нижний редуктор	1
9	Пружинное кольцо	1

Примечание: Убедитесь, что в каждой передаче были размещены шпонки.





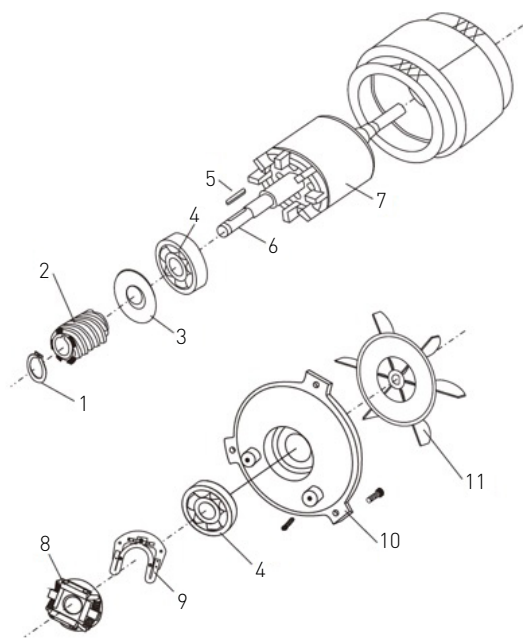
Ось с двумя редукторами

Ось с одним редуктором

№ части	Название части	Количество	№ части	Название части	Количество
1	Подшипник (6201)	4	6	Нижний редуктор	1
2	Ось с двумя редукторами	1	7	Ось с одним редуктором	1
3	Ключ (5X11)	2	8	Ключ (5X14)	1
4	Верхний редуктор	1	9	Редуктор	1
5	Пружинное кольцо	3			

Примечание: Убедитесь, что в каждой передаче были размещены шпонки.

Рис. 4: Двигатель в сборе



№ части	Название части	Количество	№ части	Название части	Количество
1	Стопорное кольцо (только 222843)	1	7	Ротор	1
2	Спираль	2	8	Выключатель	1
3	Масляное уплотнение	1	9	Пластиковая пластина выключателей	1
4	Подшипник	1	10	Кожух подшипника	1
5	Ключ (4x22)	1	11	Вентилятор	1
6	Ось	1			

RU

Рис. 4-1

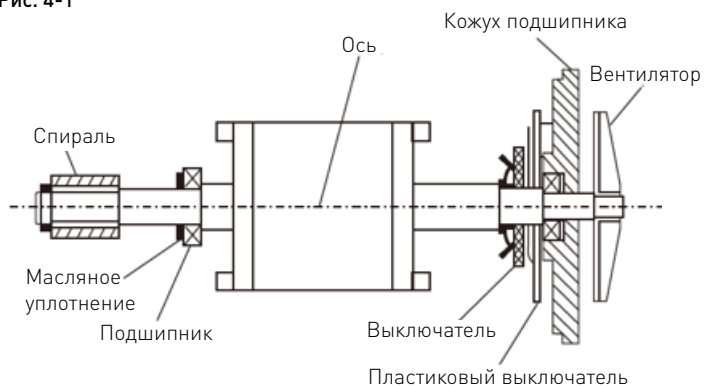
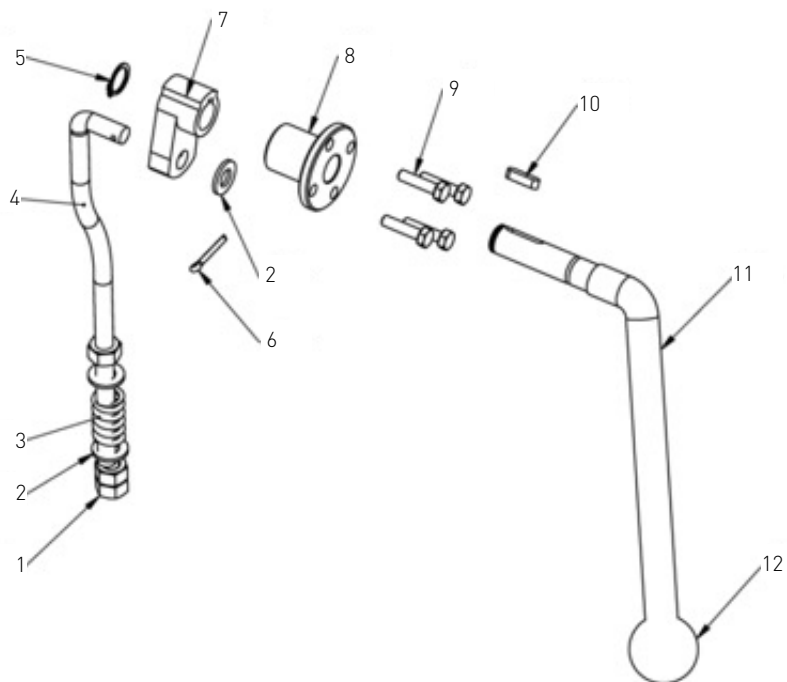


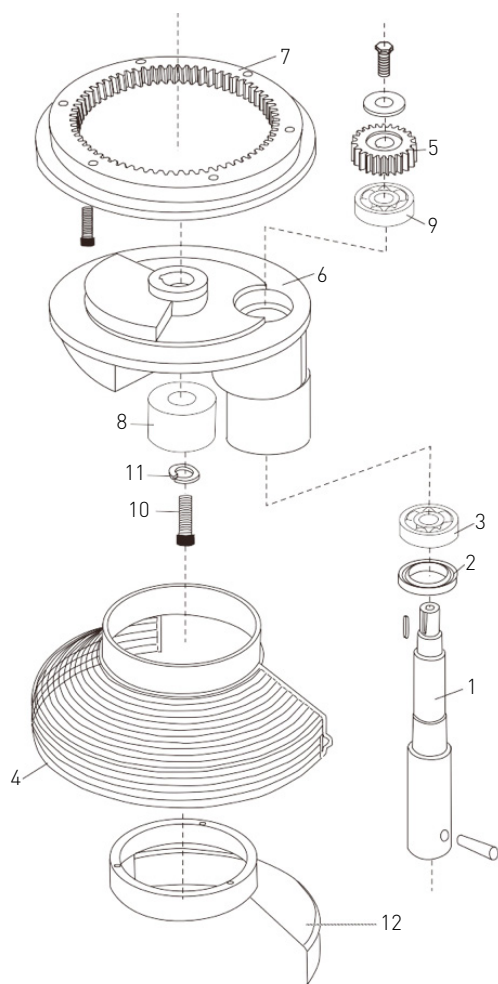
Рис. 5: Узел подъема чаши



№ части	Название части	Количество	№ части	Название части	Количество
1	Гайка (M10)	3	7	Ручной маховик	1
2	Плоская шайба	2	8	Фланцевый узел	1
3	Ручная пружина	1	9	Винт (M6X25)	4
4	Подъемная планка	1	10	Ключ (5x20)	1
5	Стопорное кольцо	1	11	Ручка для подъема сосуда	1
6	Шплинт	1	12	Пластиковый шар	1

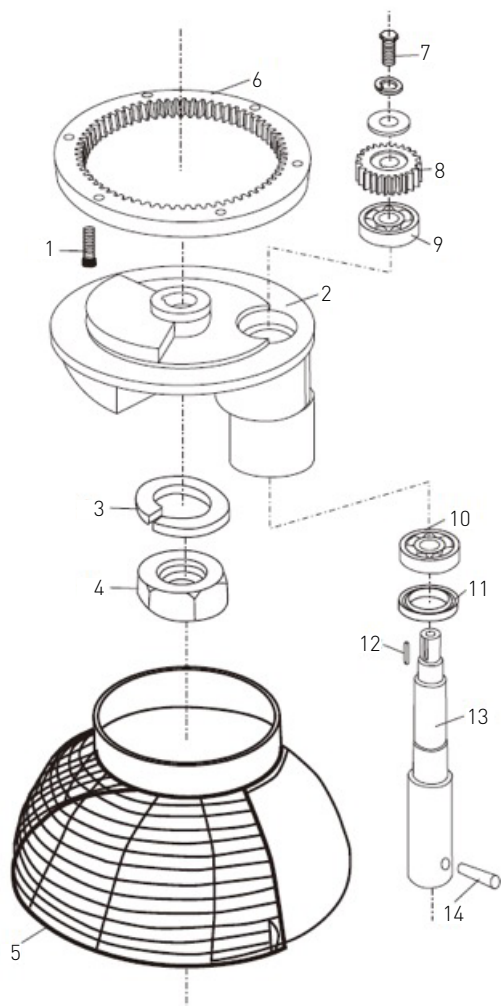
Рис. 6: Вращательная пластина и смесительная ось

222836/222966:



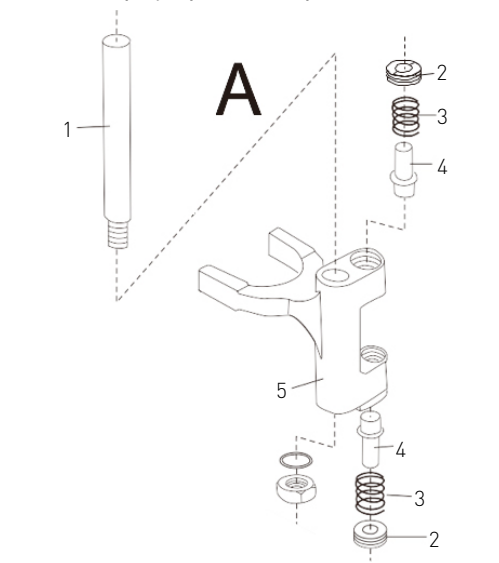
№ части	Название части	Количество	№ части	Название части	Количество
1	Ось смешивания	1	7	Внутренний редуктор	1
2	Масляное уплотнение (20X40X10)	1	8	Кожух	1
3	Подшипник	1	9	Подшипник	1
4	Защита сосуда	1	10	Винт (M8X20)	1
5	Планетарный редуктор	1	11	Пружинная шайба	1
6	Поворотная пластина	1	12	Задняя крышка защиты сосуда	1



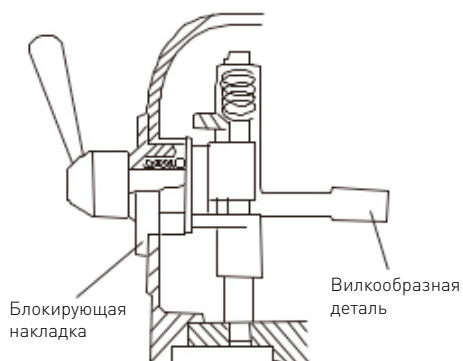
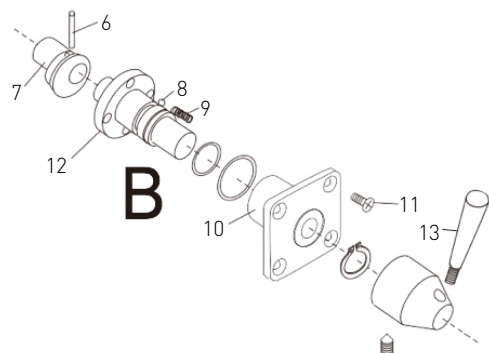


№ части	Название части	Количество	№ части	Название части	Количество
1	Винт (М6Х25)	1	8	Планетарный редуктор	1
2	Поворотная пластина	1	9	Подшипник (6203)	1
3	Spring washer	1	10	Подшипник (6204)	1
4	Гайка (М18)	1	11	Масляное уплотнение (25Х50Х10)	1
5	Защита сосуда	1	12	Ключ (5Х18)	1
6	Внутренний редуктор	1	13	Ось смешивания	1
7	Винт (М8Х15)	1	14	Штифт	1

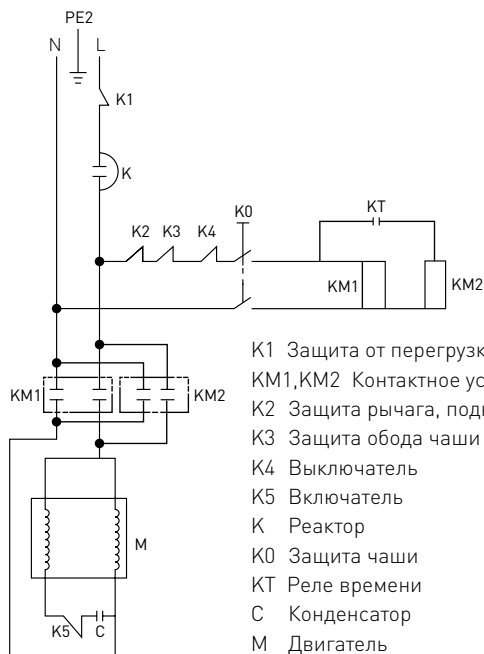
Рис. 7: Узел регулирования скорости



№ части	Название части	Количество	
А	1	Стержень	1
	2	Гайка	1
	3	Пружина	1
	4	Вал	1
	5	Вилка	1
В	6	Штифт (3X20)	1
	7	Узел	1
	8	Стальной шариковый подшипник	3
	9	Пружина	3
	10	Крышка блока	1
	11	Винт (M5X10)	1
	12	Вал	1
	13	Рычаг	1



## Электрическая схема



### Гарантия

Любая недоделка или поломка, которая влечет за собой неправильную работу устройства, которая будет выявлена в течение первого года от даты покупки, будет устранена бесплатно, или же все устройство будет заменено новым, если оно эксплуатировалось и обслуживалось согласно инструкции по обслуживанию и не использовалось неправильно, или в разрез с назначением. Данное положение ни коей мере не нарушает иных прав потребителя, изложенных в законо-

дательстве. В случае заявления устройства в ремонт или на замену в рамках гарантии, следует указать место и дату покупки устройства и приложить счет, или чековую квитанцию.

Согласно нашей политике совершенствования наших продуктов оставляем за собой право на ввод изменений в конструкцию, упаковку и в технические параметры, указываемые в технической документации без предупреждения.

### Утилизация и защита окружающей среды

В случае вывода оборудования из эксплуатации, продукт нельзя утилизировать вместе с другими бытовыми отходами. Пользователь несет ответственность за передачу оборудования в соответствующий пункт приёма техники бывшей в употреблении. Несоблюдение вышеуказанного положения может привести к наложению штрафов в соответствии с действующими правилами в отношении утилизации отходов. Селективный сбор и утилизация использованного оборудования способствуют сохранению природных

ресурсов и обеспечивают рециркуляцию таким образом, который не вреден для здоровья и окружающей среды. Для получения дополнительной информации о том, где можно отдать использованное оборудование для утилизации, обратитесь в местную компанию по сбору отходов. Производитель и импортер не несут ответственности за рециркуляцию и переработку отходов экологически безопасным способом, как непосредственно, так и в рамках государственной системы.





Ευχαριστούμε που αγοράσατε αυτό το προϊόν HENDI. Διαβάστε προσεκτικά το παρόν εγχειρίδιο πριν συνδέσετε τη συσκευή, προκειμένου να προλάβετε πιθανή βλάβη που μπορεί να οφείλεται σε λαν- θασμένη χρήση. Διαβάστε ιδίως τους κανονισμούς ασφαλείας πολύ προσεκτικά.


## Κανονισμοί ασφαλείας

- Η συσκευή δεν ενδείκνυται για οικιακή χρήση.
- Η συσκευή πρέπει να χρησιμοποιείται μόνο για τον σκοπό για τον οποίο προορίζεται και σχεδιάστηκε. Ο κατασκευαστής δεν ευθύνεται για τυχόν ζημιές που προκλήθηκαν από εσφαλμένη λειτουργία και ακατάλληλη χρήση.
- Κρατήστε τη συσκευή και το βύσμα μακριά από νερό και άλλα υγρά. Σε περίπτωση που η συσκευή πέσει μέσα σε νερό, αφαιρέστε αμέσως το βύσμα από την πρίζα και μην τη χρησιμοποιήσετε μέχρι να ελεγχθεί η συσκευή από πιστοποιημένο τεχνικό. Η μη τήρηση των οδηγιών ενδέχεται να προκαλέσει κίνδυνο προς τη ζωή.
- Μην επιχειρήσετε ποτέ να ανοίξετε μόνοι σας το περίβλημα της συσκευής.
- Μην εισάγετε αντικείμενα στο περίβλημα της συσκευής.
- Μην αγγίζετε το βύσμα με υγρά χέρια.
- ⚡ **Κίνδυνος ηλεκτροπληξίας!** Μην επιχειρήσετε να επισκευάσετε μόνοι σας τη συσκευή. Σε περίπτωση δυσλειτουργίας, οι επισκευές πρέπει να διενεργούνται μόνο από εξειδικευμένο προσωπικό.
- **Μην χρησιμοποιείτε ποτέ συσκευή με βλάβη!** Σε περίπτωση βλάβης, αποσυνδέστε τη συσκευή από την πρίζα και επικοινωνήστε με τον πωλητή.
- **Προειδοποίηση!** Μην βυθίζετε τα ηλεκτρικά μέρη της συσκευής σε νερό ή άλλα υγρά. Μην βάζετε ποτέ τη συσκευή κάτω από τρεχούμενο νερό.
- Ελέγχετε τακτικά το βύσμα και το καλώδιο τροφοδοσίας για τυχόν ζημιές. Εάν το βύσμα ή το καλώδιο τροφοδοσίας είναι κατεστραμμένο, πρέπει να αντικατασταθεί από τεχνικό σέρβις ή εξειδικευμένα άτομα για την αποφυγή τυχόν κινδύνου ή τραυματισμού.
- Βεβαιωθείτε ότι το καλώδιο δεν έρχεται σε επαφή με αιχμηρά ή θερμά αντικείμενα και κρατήστε το μακριά από φωτιά. Για να βγάλετε το βύσμα από την πρίζα, να τραβάτε πάντα το βύσμα και όχι το καλώδιο.
- Βεβαιωθείτε ότι το καλώδιο (ή το καλώδιο επέκτασης) είναι τοποθετημένο έτσι ώστε να μην προκαλέσει κίνδυνο να σκοντάψει κανείς.
- Να προσέχετε πάντα τη συσκευή κατά τη χρήση.
- **Προειδοποίηση!** Όσο το βύσμα είναι στην πρίζα, η συσκευή είναι συνδεδεμένη στην πηγή τροφοδοσίας.
- Απενεργοποιήστε τη συσκευή πριν τραβήξετε το βύσμα από την πρίζα.
- Ποτέ μην μεταφέρετε τη συσκευή από το καλώδιο.
- Μην χρησιμοποιείτε συσκευές που δεν παρέχονται μαζί με τη συσκευή.
- Συνδέστε τη συσκευή μόνο σε ηλεκτρική πρίζα με τάση και συχνότητα που αναφέρονται στην ετικέτα της συσκευής.



- Συνδέστε το βύσμα σε μια εύκολα προσβάσιμη ηλεκτρική πρίζα έτσι ώστε σε περίπτωση έκτακτης ανάγκης η συσκευή να μπορεί να αποσυνδεθεί αμέσως. Για να απενεργοποιήσετε πλήρως τη συσκευή, βγάλτε το βύσμα από την πρίζα.
- Απενεργοποιείτε πάντα τη συσκευή πριν αποσυνδέσετε το βύσμα.
- Μην χρησιμοποιείτε ποτέ εξαρτήματα διαφορετικά από αυτά που συνιστώνται από τον κατασκευαστή. Σε αντίθετη περίπτωση, μπορεί να δημιουργηθεί κίνδυνος για τον χρήστη και να προκληθεί ζημιά στη συσκευή. Χρησιμοποιείτε μόνο αυθεντικά εξαρτήματα και αξεσουάρ.
- Αυτή η συσκευή δεν προορίζεται για χρήση από άτομα (συμπεριλαμβανομένων παιδιών) με μειωμένες σωματικές, αισθητήριες ή διανοητικές ικανότητες ή με έλλειψη πείρας και γνώσης.
- Αυτή η συσκευή δεν πρέπει, σε καμία περίπτωση, να χρησιμοποιείται από παιδιά.
- Κρατήστε τη συσκευή και το καλώδιο μακριά από παιδιά.
- Να αποσυνδέετε πάντα τη συσκευή από το ρεύμα εάν αφήνεται χωρίς επιτήρηση ή δεν χρησιμοποιείται και πριν από εργασίες συναρμολόγησης, αποσυναρμολόγησης ή καθαρισμού.
- Μην αφήνετε ποτέ τη συσκευή χωρίς επιτήρηση ενώ βρίσκεται σε λειτουργία.

## Ειδικοί κανονισμοί ασφαλείας

- Χρησιμοποιείτε τη συσκευή μόνο όπως περιγράφεται στο παρόν εγχειρίδιο.
- Η συσκευή πρέπει να χρησιμοποιείται και να τοποθετείται από εξειδικευμένο και εκπαιδευμένο προσωπικό κουζινών του κλάδου της εστίασης, όπως υπηρεσίες τροφοδοσίας, φούρνους, πιτσαρίες, ζαχαροπλαστεία κλπ.
- Όλες οι εργασίες συντήρησης, εγκατάστασης και επισκευής πρέπει να εκτελούνται από εξειδικευμένους και εξουσιοδοτημένους τεχνικούς.
-  Στην πίσω πλευρά της συσκευής υπάρχει ένα τερματικό ισοδυναμικής σύνδεσης που επιτρέπει τη σύνδεση με άλλο εξοπλισμό.
- Μην τοποθετείτε τη συσκευή επάνω σε αντικείμενα θέρμανσης (ηλεκτρικό φούρνο, ψησταριά κλπ). Διατηρείτε τη συσκευή μακριά από θερμές επιφάνειες και ανοικτές φλόγες. Χρησιμοποιείτε πάντα τη συσκευή σε επίπεδη, σταθερή, καθαρή, στεγνή και ανθεκτική στη θερμότητα επιφάνεια.
- Μην χρησιμοποιείτε τη συσκευή κοντά σε εκρηκτικά ή εύφλεκτα υλικά, πιστωτικές κάρτες, μαγνητικούς δίσκους ή ραδιόφωνα.
- Κατά τη διάρκεια λειτουργίας της συσκευής, να φοράτε προστατευτική ενδυμασία, μάσκα ή προστατευτικά γυαλιά, εάν είναι απαραίτητο.
- Η συσκευή δεν προορίζεται για λειτουργία μέσω εξωτερικού χρονοδιακόπτη ή ξεχωριστού συστήματος τηλεχειρισμού.
- Μην παρακάμπτετε τις συνδέσεις ασφαλείας της συσκευής.
- **ΠΡΟΕΙΔΟΠΟΙΗΣΗ:** Απομακρύνετε όλα τα εμπόδια γύρω από όλα τα ανοίγματα εξαερισμού της συσκευής.
- **ΠΡΟΕΙΔΟΠΟΙΗΣΗ:** Πριν από τον καθαρισμό, τη συντήρηση ή την αντικατάσταση εξαρτημάτων, να απενεργοποιείτε **ΠΑΝΤΑ** τη συσκευή και να την αποσυνδέετε από την παροχή ρεύματος.

- Αφήστε τουλάχιστον 30 cm ελεύθερο χώρο γύρω από τη συσκευή για λόγους αερισμού κατά τη χρήση.
- **Προσοχή!** Στερεώστε, εάν είναι απαραίτητο, το καλώδιο τροφοδοσίας για να αποφύγετε τυχόν ακούσιο τράβηγμα ή επαφή με καυτή επιφάνεια.
- **ΠΡΟΕΙΔΟΠΟΙΗΣΗ!** Διατηρείτε **ΠΑΝΤΑ** χέρια, μακριά μαλλιά και ενδύματα μακριά από τα κινούμενα μέρη.
- Μην τοποθετείτε τα χέρια σας μέσα στην προστατευόμενη περιοχή και τον κάδο ανάμιξης, ενώ η συσκευή είναι σε λειτουργία.
- Μην προσθέτετε υπερβολική ποσότητα υλικών προκειμένου να αποφευχθεί τυχόν η υπερχειλίση τους. Η μέγιστη χωρητικότητα του κάδου είναι 10 λίτρα για το 222836, 222966 και 20 λίτρα για το 222843, 222973.
- Μην πλένετε τη συσκευή με νερό ή εκτοξευτήρα νερού. Το πλύσιμο με νερό μπορεί να προκαλέσει διαρροές και να αυξήσει τον κίνδυνο ηλεκτροπληξίας. Τα εξαρτήματα δεν είναι κατάλληλα για πλυντήριο πιάτων.
- Μην καθαρίζετε ή αποθηκεύετε τη συσκευή εάν δεν έχει κρυώσει τελείως.
- Πρέπει να δίνεται ιδιαίτερη προσοχή κατά τη μετακίνηση ή τη μεταφορά της συσκευής λόγω του μεγάλου βάρους της. Η μετακίνηση να γίνεται από τουλάχιστον 2 άτομα ή με χρήση τροχήλατου. Μετακινείτε τη συσκευή αργά, προσεκτικά και ποτέ με κλίση άνω των 45°.

#### Προβλεπόμενη χρήση

- Η συσκευή ενδείκνυται για επαγγελματική χρήση και μπορεί να την χειρίζεται μόνο εξειδικευμένο προσωπικό.
- Η συσκευή είναι σχεδιασμένη μόνο για ανάμιξη, ζύμωμα και γαλακτωματοποίηση/χτύπημα προϊόντων φαγητού για χρήση στον κλάδο παραγωγής τροφίμων και εστίασης. Οποιαδήποτε άλλη χρήση

μπορεί να προκαλέσει ζημιά στη συσκευή ή τραυματισμό.

- Η χρήση της συσκευής για οποιονδήποτε άλλο σκοπό θεωρείται εσφαλμένη. Ο χρήστης είναι αποκλειστικά υπεύθυνος για την μη κατάλληλη χρήση της συσκευής.

#### Γείωση

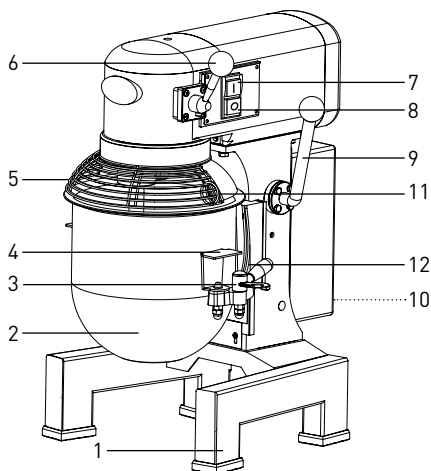
Αυτή η συσκευή ταξινομείται στην κλάση προστασίας I και πρέπει να συνδέεται με γείωση προστασίας. Η γείωση μειώνει τον κίνδυνο ηλεκτροπληξίας παρέχοντας ένα καλώδιο διαφυγής για το ηλεκτρικό ρεύμα.

Αυτή η συσκευή είναι εξοπλισμένη με καλώδιο που φέρει καλώδιο και βύσμα γείωσης. Το βύσμα πρέπει να είναι συνδεδεμένο σε σωστά τοποθετημένη και γειωμένη πρίζα.

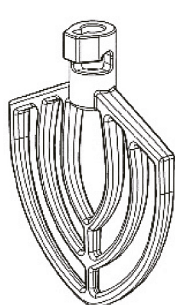


## Κύρια μέρη της συσκευής

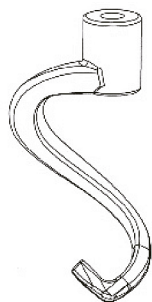
1. Βάση στήριξης μίξερ
2. Κάδος
3. Πείροι κάδου (x2)
4. Λαβές κάδου (x2)
5. Καπάκι κάδου
6. Μοχλός ταχύτητας  
(3 επίπεδα για 3 εξαρτήματα)
7. Κουμπι ON (ΠΡΑΣΙΝΟ, I)
8. Κουμπι STOP(ΚΟΚΚΙΝΟ, O)
9. Μοχλός ανύψωσης/χαμηλώματος κάδου
- 10.Κουμπι ΕΠΑΝΑΦΟΡΑΣ  
(στο πίσω μέρος της συσκευής)
- 11.Λαβή καπακιού κάδου
- 12.Σύστημα στήριξης κάδου



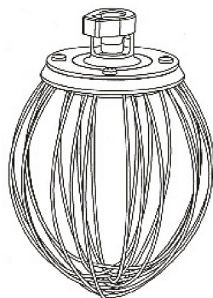
## Εξαρτήματα



Αναδευτήρας



Γάντζος ζύμης



Χτυπητήρι

## Προετοιμασία πριν από την τοποθέτηση

- Ξεβιδώστε προσεκτικά τη συσκευή από τη βάση της, χρησιμοποιώντας ένα κλειδί αν χρειαστεί.
- Αφαιρέστε κάθε προστατευτική συσκευασία.
- Ελέγξτε εάν το προϊόν είναι πλήρες και για τυχόν ζημιές κατά τη μεταφορά. Σε περίπτωση μη ολοκληρωμένης παράδοσης (π.χ. απουσία χτυπητηριού, αναδευτήρα και γάντζου ζύμης) ή ζημιών, επικοινωνήστε με τον προμηθευτή. ΜΗΝ χρησιμοποιήσετε τη συσκευή. (Βλ. ==> Εγγύηση).
- Καθαρίστε τη συσκευή και τα εξαρτήματά της πριν την χρησιμοποιήσετε (Βλ. ==> Καθαρισμός και συντήρηση).
- Βεβαιωθείτε ότι η συσκευή είναι τελείως στεγνή.
- Διατηρήστε τη συσκευασία για να φυλάσσετε τη συσκευή όταν δεν πρόκειται να τη χρησιμοποιήσετε για μεγάλο διάστημα.

## Τοποθέτηση

- Διαβάστε προσεκτικά το παρόν εγχειρίδιο πριν τοποθετήσετε και λειτουργήσετε τη συσκευή.
- Βεβαιωθείτε ότι η συσκευή έχει τοποθετηθεί σε στεγνή και χωρίς εμπόδια επιφάνεια που μπορεί να στηρίζει το βάρος της.
- Βεβαιωθείτε ότι η τροφοδοσία ρεύματος αντιστοιχεί με την ετικέτα βαθμονόμησης της συσκευής.
- Πρέπει να υπάρχει επαρκής χώρος γύρω από τη συσκευή για να μπορεί να κινείται άνετα ο χρήστης.

## Μεταφορά και χειρισμός

- Μην μετακινείτε τη συσκευή ενώ λειτουργεί.
- Για να μετακινήσετε τη συσκευή, αποσυνδέστε την από το ρεύμα και αφαιρέστε τον κάδο (2) και όλα τα εξαρτήματα (χτυπητήρι, αναδευτήρα και γάντζο ζύμης).

## Ειδικές λειτουργίες ασφαλείας

**Προσοχή:** Η συσκευή διαθέτει τους ακόλουθους 3 διακόπτες ασφαλείας. Η συσκευή πρέπει να τίθεται σε λειτουργία μόνο όταν όλοι οι διακόπτες ασφαλείας βρίσκονται στη θέση τους.

- Διακόπτης ασφαλείας θέσης κάδου: Η συσκευή μπορεί να τεθεί σε λειτουργία μόνο όταν ο κάδος (2) τοποθετηθεί σωστά στη θέση του.
- Διακόπτης ασφαλείας καπακιού κάδου (5): Η συσκευή μπορεί να τεθεί σε λειτουργία όταν το καπάκι του κάδου (5) έχει ασφαλίσει σωστά.
- Διακόπτης ασφαλείας μοχλού ανύψωσης κάδου

## Λειτουργία

### Για την αποφυγή τραυματισμών:

- **ΜΗΝ** χρησιμοποιήσετε τη συσκευή εάν δεν έχετε διαβάσει το εγχειρίδιο οδηγιών.
- Πριν από τον καθαρισμό, τη συντήρηση ή την αντικατάσταση εξαρτημάτων, να **ΣΤΑΜΑΤΑΤΕ ΠΑΝΤΑ**

### α) Το καπάκι του κάδου

**Σημείωση:** Εάν το καπάκι του κάδου (5) είναι ανοικτό ή δεν έχει ασφαλίσει σωστά στη θέση κλειδώματος, η συσκευή δεν μπορεί να ξεκινήσει να λειτουργεί.

1. Για να ανοίξετε το καπάκι (5) , περιστρέψτε το δεξιόστροφα κρατώντας το από τη λαβή (11). Για να κλείσετε το καπάκι (5) , περιστρέψτε το αριστερόστροφα κρατώντας το από τη λαβή (11).

### β) Τοποθέτηση του κάδου (2)

**Σημείωση:** Τοποθετήστε τον κάδο (2) ΠΡΙΝ τοποθετήσετε τα εξαρτήματα. Χρησιμοποιείτε μόνο τον παρεχόμενο κάδο (2).

1. Χαμηλώστε τον κάδο (2) τραβώντας μέχρι κάτω

Ο χώρος πρέπει να είναι καθαρός και χωρίς εμπόδια, π.χ. να μην τοποθετείται κανένα αντικείμενο κοντά στη συσκευή, όπως μαχαίρια κλπ.

- Μην φοράτε χαλαρά ρούχα, όπως φουλάρια κλπ και δένετε τα μαλλιά σας, διατηρώντας τα μακριά από τα κινούμενα εξαρτήματα.

**ΠΡΟΣΟΧΗ!** Ποτέ μην παρακάμψετε κανέναν διακόπτη ασφαλείας.

- Όταν μετακινείτε τη συσκευή, να την κρατάτε από τη βάση στήριξης (1).

- Η μετακίνηση να γίνεται από τουλάχιστον 2 άτομα ή με χρήση τροχήλατου λόγω του μεγάλου βάρους της.

(9): Η συσκευή μπορεί να τεθεί σε λειτουργία όταν ο μοχλός ανύψωσης κάδου (9) τοποθετηθεί στη θέση ανύψωσης.

Μην φοράτε χαλαρά ρούχα, όπως φουλάρια κλπ και δένετε τα μαλλιά σας, διατηρώντας τα μακριά από τα κινούμενα εξαρτήματα.

τη συσκευή πατώντας το ΚΟΚΚΙΝΟ κουμπί "0" (8) και να την αποσυνδέετε από την παροχή ρεύματος.

- Διατηρείτε **ΠΑΝΤΑ** χέρια, μακριά μαλλιά και ενδύματα μακριά από τα κινούμενα μέρη.

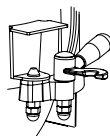
2. Όταν η λαβή (11) είναι ευθυγραμμισμένη στη δεξιά πλευρά της συσκευής, το καπάκι (5) βρίσκεται στη θέση κλειδώματος και η συσκευή είναι έτοιμη για λειτουργία.

τον μοχλό ανύψωσης/χαμηλώματος κάδου (9). Το σύστημα στήριξης κάδου (12) πρέπει να βρίσκεται στη θέση χαμηλώματος.



2. Τοποθετήστε τον κάδο (2) προσεκτικά κρατώντας τον και από τις δύο λαβές (4) και
- Με τον πείρο κλειδώματος στην οπή στη μέση του συστήματος στήριξης κάδου (12)

- Ασφαλίστε τον κάδο (2) τραβώντας προς τα εμπρός τους πείρους του κάδου (3) μέχρι ο κάδος (2) να ασφαλίσει στη θέση του.



### γ) Τοποθέτηση των εξαρτημάτων (χιτυπητήρι, αναδευτήρας και γάντζος ζύμης)

Σημείωση: Συνιστάται να τοποθετείτε τα εξαρτήματα πριν τοποθετήσετε τα υλικά μέσα στον κάδο (2).

- Σημείωση: Συνιστάται να τοποθετείτε τα εξαρτήματα πριν τοποθετήσετε τα υλικά μέσα στον κάδο (2).
- ΠΡΟΣΟΧΗ!** Η άσκηση υπερβολικής πίεσης κατά το άνοιγμα ή το κλείσιμο του καπακιού (5) μπορεί να προκαλέσει βλάβη στον μικροδιακόπτη ασφαλείας. Να είστε ιδιαίτερα προσεκτικοί όταν ανοίγετε ή κλείνετε το καπάκι (5).

- Σπρώξτε τα εξαρτήματα (χιτυπητήρι, γάντζο ζύμης ή αναδευτήρα) αργά προς τα πάνω, στον πλανητικό άξονα, προσαρμόζοντας τον πείρο του άξονα στα εξαρτήματα.
- Περιστρέψτε τα εξαρτήματα για να ασφαλίσετε στον πλανητικό άξονα.

### δ) Τοποθέτηση και ανάμιξη των υλικών

Σημείωση: Ανατρέξτε στον πίνακα «Χωρητικότητα υλικών ανάμιξης» που περιλαμβάνεται στο εγχειρίδιο. Η υπερφόρτωση θα προκαλέσει υπερχειλίσση ή ζημιά στη συσκευή.

**ΣΗΜΑΝΤΙΚΟ:** Βεβαιωθείτε ότι ο μοχλός ταχύτητας (6) είναι στη θέση «γάντζος ζύμης».

- Προσθέστε στον κάδο (2) όλα τα υλικά.
- Ανασπώστε προς τα πάνω τον μοχλό ανύψωσης/χαμηλώματος κάδου (9) μέχρι ο κάδος (2) να ασφαλίσει στη θέση του.

- Περιστρέψτε αριστερόστροφα το καπάκι (5) για να κλείσει και να ασφαλίσει στη θέση του.

**Προσοχή:** Η συσκευή δεν θα ξεκινήσει να λειτουργεί εάν το καπάκι (5) είναι ανοικτό/δεν έχει ασφαλίσει σωστά στη θέση του ή εάν ο κάδος (2) δεν βρίσκεται σε θέση ανύψωσης.

GR

### ε) Επιλογή ταχύτητας, εξαρτήματος και εκκίνηση της συσκευής

- Επιλέξτε την κατάλληλη ταχύτητα περιστρέφοντας τον διακόπτη ταχύτητας (6). Υπάρχουν τρεις συγκεκριμένες ταχύτητες για τα εξαρτήματα:

Ταχύτητα ανάμιξης	Υλικά
Γάντζος ζύμης (Χαμηλή)	Σκληρά υλικά: Ζύμη για πίτσα, ψωμί και ζυμαρικά.
Αναδευτήρας (Μεσαία)	Μέτρια υλικά: 2ο στάδιο ανάμιξης για ζύμη λουκουμάδων κλπ.
Χιτυπητήρι (Υψηλή)	Μαλακά υλικά: Χτύπημα κρέμας, ασπραδιών, μαρέγκας.

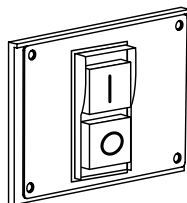
**IMPORTANT:** Χρησιμοποιείτε **ΠΑΝΤΑ** το εξάρτημα και την ταχύτητα που συνιστώνται βάσει του πίνακα χωρητικότητας και της ένδειξης δίπλα στον μοχλό ταχύτητας (6)..

**ΠΡΟΣΟΧΗ:** Προσέχετε τη σκόνη και το αλεύρι που διαρρέεται από τις σακούλες όταν προσθέτετε τα υλικά στον κάδο (2). Να φοράτε προστατευτική μάσκα ή γυαλιά, εάν είναι απαραίτητο.



2. Πατήστε το **ΠΡΑΣΙΝΟ** κουμπί "I" (7) για να ενεργοποιήσετε τη συσκευή. Πατήστε το **ΚΟΚΚΙΝΟ** κουμπί "O" (8) για να απενεργοποιήσετε τη συσκευή.

Η συσκευή που αντιστοιχεί στο προϊόν 222843 περιστρέφεται δεξιόστροφα και η συσκευή που αντιστοιχεί στο προϊόν 222836 περιστρέφεται αριστερόστροφα.



3. **ΠΡΟΣΟΧΗ!** Να **ΔΙΑΚΟΠΤΕΤΕ ΠΑΝΤΑ** τη λειτουργία της συσκευής ΠΡΟΤΟΥ αλλάξετε ταχύτητα. Διαφορετικά υπάρχει πιθανότητα βλάβης των εσωτερικών γραναζιών.

4. Για να αλλάξετε ταχύτητα κατά τη λειτουργία της συσκευής:

- α) Πατήστε το **ΚΟΚΚΙΝΟ** κουμπί "O" (8) για να απενεργοποιήσετε τη συσκευή.
- β) Αποσυνδέστε την από το ρεύμα και αλλάξτε το εξάρτημα. [Δείτε ==> σημείο γ)].
- γ) Επιλέξτε τη νέα ταχύτητα μετακινώντας προς τα πάνω ή προς τα κάτω τον μοχλό ταχύτητας (6).
- δ) Πατήστε το **ΠΡΑΣΙΝΟ** κουμπί "I" (7) για να επανεκκινήσετε τη συσκευή.

### ΕΠΑΝΑΦΟΡΑ της διάταξης περιορισμού (θερμική διακοπή)

Υπενθυμίζεται ότι στην πίσω πλευρά της συσκευής, βρίσκεται ένα κουμπί ΕΠΑΝΑΦΟΡΑΣ (RESET) (10) για την αποφυγή υπερθέρμανσης.

- Αποσυνδέστε πρώτα τη συσκευή από την πρίζα.
- Αφήστε τη συσκευή να κρυώσει τελείως.

- Πατήστε το κουμπί ΕΠΑΝΑΦΟΡΑ (10) στη διάταξη περιορισμού (θερμική διακοπή).
- Στη συνέχεια, συνδέστε τη συσκευή στην πρίζα και ξεκινήστε την λειτουργία της.

### Χωρητικότητα υλικών ανάμιξης

Ο παρακάτω πίνακας παρέχεται ως αναφορά σχετικά με τη μέγιστη χωρητικότητα διαφόρων υλικών στον κάδο. Η χωρητικότητα επηρεάζεται από πολλούς

παράγοντες, όπως ο τύπος αλευριού, η θερμοκρασία νερού κλπ.

Υλικό	Εξάρτημα	Μέγιστη ποσότητα			
		222836	222966	222843	222973
Ασπράδι	Χτυπητήρι	1,0 κιλό		1,5 κιλό	
Πουρές πατάτας	Αναδευτήρας	2,0 κιλά		2,5 κιλά	
Μαρέγκα (Ποσότητα νερού)	Χτυπητήρι	1,5 λίτρο		2,0 λίτρα	
Ζύμη για βάφλες	Αναδευτήρας	2,5 λίτρα		3,0 λίτρα	
Σαντιγί	Χτυπητήρι	3,5 λίτρα		4,0 λίτρα	
Ζύμη για πίτσα (Μέτρια, 50% νερό)	Γάντζος ζύμης	2,0 κιλά		2,5 κιλά	
Ζύμη για πίτσα (Σκληρή, 60% νερό)	Γάντζος ζύμης	2,5 κιλά		3,0 κιλά	
Παντεσπάνι	Χτυπητήρι	1,5 κιλό		2,0 κιλά	
Ζύμη για πίτα	Αναδευτήρας	2,0 κιλά		2,5 κιλά	
Ζυμάρι για ψωμί ή ψωμάκια (Μαλακό/Μέτριο, 60% νερό)	Γάντζος ζύμης	Νερό 1,5 κιλό/ Αλεύρι 2,5 κιλά		Νερό 3,0 κιλά/ Αλεύρι 5,0 κιλά	



## Καθαρισμός και Συντήρηση

**Προσοχή:** Να αποσυνδέετε πάντα τη συσκευή από την πρίζα και να την αφήνετε να κρύνει τελείως πριν από εργασίες καθαρισμού, συντήρησης, επισκευής και πριν την αποθηκεύσετε.

### Καθαρισμός

- Αφαιρείτε πάντα τα εξαρτήματα πριν τον καθαρισμό, διαφορετικά θα κολλήσουν στον άξονα και θα είναι δύσκολη η αφαίρεσή τους.
- Καθαρίζετε προσεκτικά τη συσκευή και τα εξαρτήματά της μετά από κάθε χρήση και βεβαιωθείτε ότι έχουν αφαιρεθεί όλα τα υπολείμματα από τα υλικά.
- Μην βυθίζετε ποτέ τη συσκευή σε νερό ή άλλα υγρά.
- Καθαρίζετε την επιφάνεια με ένα ελαφρώς υγρό πανί ή σφουγγάρι με λίγο ήπιο διάλυμα σαπουνιού.
- Μην χρησιμοποιείτε τριπτικά σφουγγάρια, απορρυπαντικά, σύρματα ή μεταλλικά μέσα για τον καθαρισμό των εσωτερικών ή εξωτερικών μερών του προϊόντος.
- ΜΗΝ πλένετε τη συσκευή με νερό ή εκτοξευτήρα νερού. Το πλύσιμο με νερό μπορεί να προκαλέσει διαρροές και να αυξήσει τον κίνδυνο ηλεκτροπληξίας.
- Κανένα εξαρτήματα ή μέρος της συσκευής δεν πλένεται στο πλυντήριο πιάτων.

Συνιστώμενη διαδικασία καθαρισμού:

Μέρη	Τρόπος καθαρισμού	Συχνότητα
Κάδος	Πλύσιμο στο χέρι με ένα σφουγγάρι ή ένα νωπό πανί, ένα ήπιο διάλυμα σαπουνιού και νερό. Ξεβγάλετε και στεγνώστε καλά.	Καθαρίζετε μετά από κάθε χρήση
Εξαρτήματα (χτυπητήρι, αναδευτήρας και γάντζος ζύμης)	Πλύσιμο στο χέρι με ένα ήπιο διάλυμα σαπουνιού και νερό. Ξεβγάλετε και στεγνώστε καλά.	Καθαρίζετε μετά από κάθε χρήση
Καπάκι κάδου	Πλύσιμο στο χέρι με ένα σφουγγάρι ή ένα νωπό πανί, ένα ήπιο διάλυμα σαπουνιού και νερό. Ξεβγάλετε και στεγνώστε καλά.	Καθαρίζετε μετά από κάθε χρήση
Εξωτερική επιφάνεια	Πλύσιμο στο χέρι με ένα νωπό πανί, λίγο σαπούνι και νερό. Ξεβγάλετε και στεγνώστε καλά. Μην χρησιμοποιήσετε εκτοξευτήρα νερού.	Δύο φορές την εβδομάδα
Πλανητικός άξονας	Πλύσιμο στο χέρι με ένα νωπό πανί, λίγο σαπούνι και νερό. Ξεβγάλετε και στεγνώστε καλά.	Καθαρίζετε μετά από κάθε χρήση

### Αποθήκευση

- Πριν αποθηκεύσετε την συσκευή, βεβαιωθείτε ότι έχει αποσυνδεθεί από την πρίζα και έχει κρυνώσει πλήρως.
- Φυλάσσετε τη συσκευή σε δροσερό, καθαρό και στεγνό χώρο.



## Αντιμετώπιση προβλημάτων

Αν η συσκευή δεν λειτουργεί σωστά, συμβουλευτείτε τον παρακάτω πίνακα για πιθανές λύσεις. Αν συνεχίσετε να μην μπορείτε να επιλύσετε το πρόβλημα, επικοινωνήστε με τον προμηθευτή/πάροχο σέρβις. ΜΗΝ επισκευάζετε τη συσκευή μόνοι σας.

Προβλήματα	Πιθανές αιτίες	Πιθανή λύση
Η συσκευή δεν λειτουργεί.	Το καπάκι (5) δεν έχει ασφαλίσει σωστά στη θέση του.	Περιστρέψτε δεξιόστροφα το καπάκι (5) μέχρι να ασφαλίσει σωστά στη θέση του.
	Ο κάδος (2) δεν ανυψώνεται στην κατάλληλη θέση.	Ανυψώστε τον κάδο (2) στη σωστή θέση χρησιμοποιώντας τον μοχλό (9).
	Το φιλτράρισμα δεν είναι συνδεδεμένο σωστά.	Βεβαιωθείτε ότι το φιλτράρισμα είναι συνδεδεμένο σωστά.
Η συσκευή σταματά ξαφνικά να λειτουργεί.	Έχει ενεργοποιηθεί η προστασία εσωτερικής υπερφόρτωσης για την αποφυγή υπερθέρμανσης.	Πιέστε το ΚΟΚΚΙΝΟ κουμπί "Ο" (8), απουσυνδέστε τη συσκευή από το ρεύμα, αφήστε την να κρυώσει τελείως και πατήστε το πλήκτρο ΕΠΑΝΑΦΟΡΑ (10) στο πίσω μέρος της συσκευής.
	Ο ιμάντας μεταφοράς έχει φθαρεί ή έχει χαλάσει.	Επικοινωνήστε με τον προμηθευτή σας.
Η συσκευή κάνει πολύ θόρυβο.	Η συσκευή δεν έχει τοποθετηθεί σε οριζόντια επιφάνεια.	Μετακινήστε τη συσκευή σε άλλη οριζόντια επιφάνεια.
	Ο κάδος (2) δεν έχει τοποθετηθεί σωστά.	Βεβαιωθείτε ότι ο κάδος (2) έχει τοποθετηθεί σωστά στο σύστημα στήριξης κάδου (12) με τους πείρους καθοδήγησης (3).
	Δεν έχουν τοποθετηθεί σωστά τα εξαρτήματα.	Αφαιρέστε τα και τοποθετήστε τα ξανά.
	Ο κάδος έχει υπερφορτωθεί.	Μειώστε την ποσότητα των υλικών.
	Ο ιμάντας μεταφοράς έχει φθαρεί ή έχει χαλάσει.	Επικοινωνήστε με τον προμηθευτή σας.
	Το γρανάζι του πλανητικού άξονα χρειάζεται λιπαντικό.	Σκουπίστε τον πλανητικό άξονα με ένα καθαρό, νωπό πανί και λιπάνετε τον με ορυκτό λάδι ή γράσο.
Τα εξαρτήματα δεν μπορούν να τοποθετηθούν εύκολα στον πλανητικό άξονα.	Έλλειψη λιπαντικού ή/και απαιτείται καθαρισμός του πλανητικού άξονα.	Σκουπίστε τον πλανητικό άξονα με ένα καθαρό, νωπό πανί και λιπάνετε τον με ορυκτό λάδι ή γράσο.
Ο μοχλός ανύψωσης/χαμηλώματος κάδου (9) δεν μετακινείται εύκολα.	Έλλειψη λιπαντικού στους ολισθητήρες του κάδου.	Λιπάνετε τους ολισθητήρες του κάδου με ορυκτό λάδι ή γράσο.



## Τεχνικές προδιαγραφές

Αρ. προϊόντος	222836	222966	222843	222973
Τάση και συχνότητα λειτουργίας	220 – 240 V~ 50/60Hz			
Ονομαστική ισχύς εισόδου	600W		1100W	
Καθαρό βάρος (περ.)	53 κιλά		78 κιλά	
Κατηγορία προστασίας	Κατηγορία I			
Κλάση προστασίας νερού	IP21			
Ταχύτητα περιστροφής (r.p.m.)	Γάντζος ζύμης	148	197	
	Αναδευτήρας	244	317	
	Χτυπητήρι	480	462	
Μέγιστη χωρητικότητα κάδου	10 λίτρα		20 λίτρα	
Μέγιστη ποσότητα αλευριού για ανάμιξη	2,5 κιλά		5,0 κιλά	
Μέγιστο επίπεδο θορύβου	< 70 dB (A)			
Εξωτερικές διαστάσεις	480 x 400 x (Υ) 630mm		560 x 500 x (Υ) 880mm	

**Σημείωση: Οι τεχνικές προδιαγραφές μπορούν να τροποποιηθούν χωρίς προηγούμενη ειδοποίηση.**

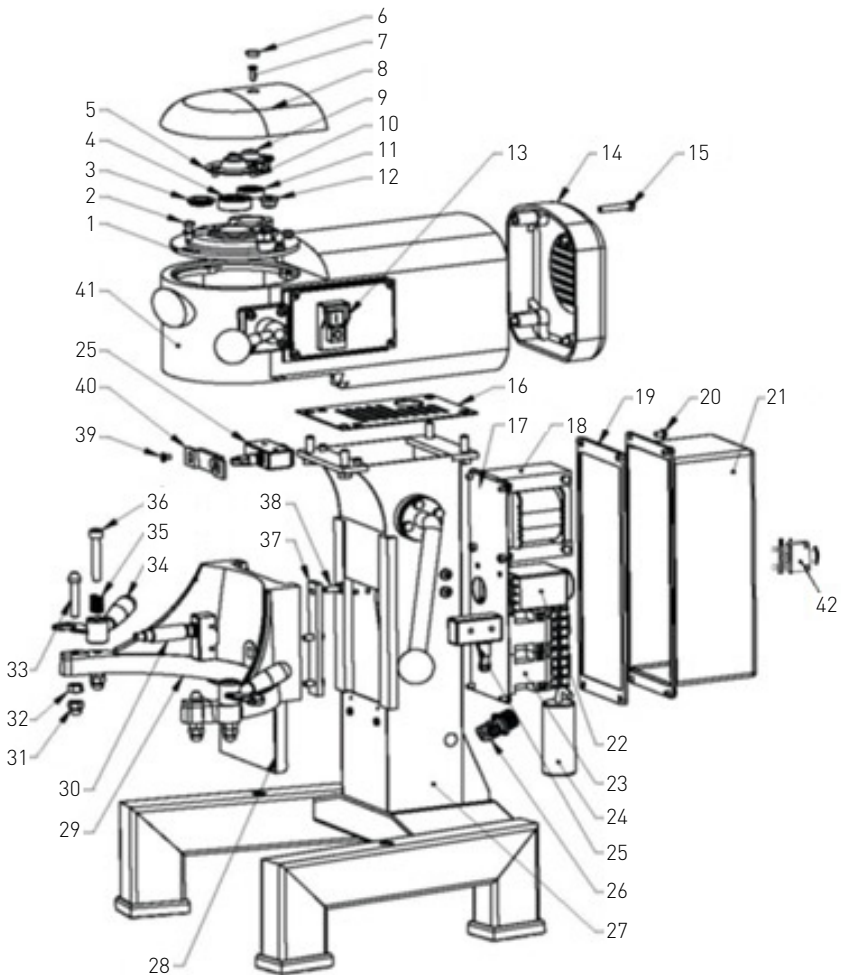
## Σχέδιο και κατάλογος εξαρτημάτων

**Προσοχή:** Το σχέδιο και ο κατάλογος εξαρτημάτων αποτελούνται από τα παρακάτω τμήματα:

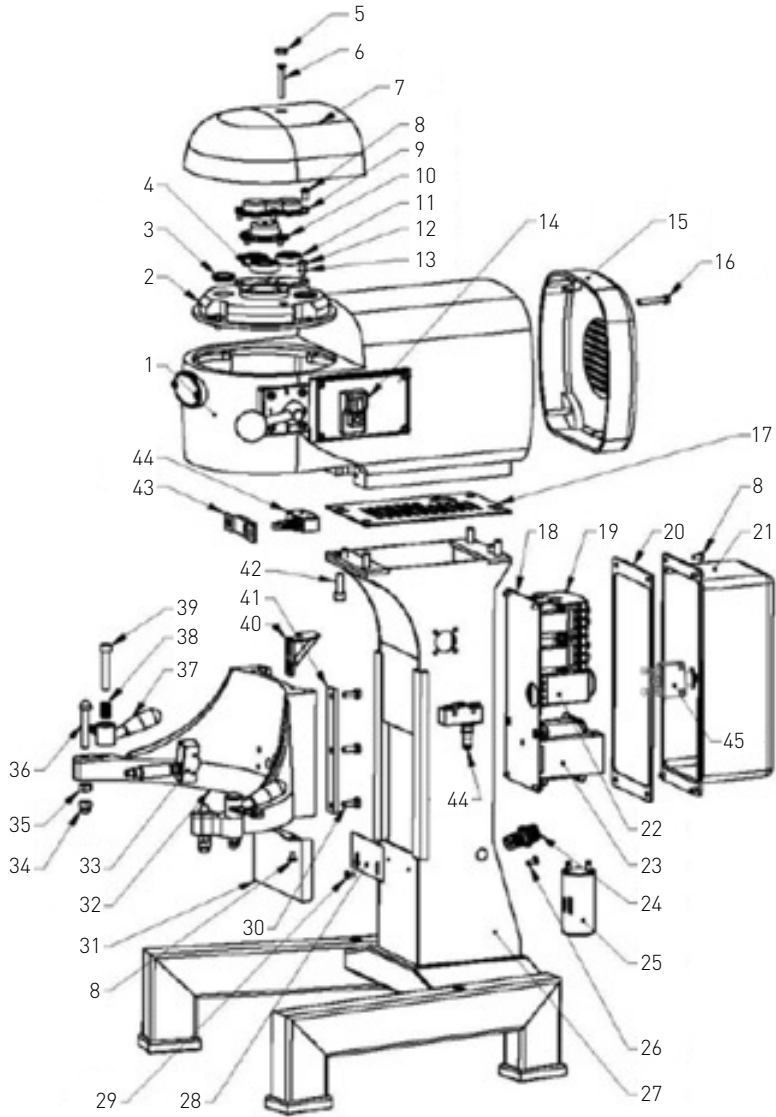
- Σύστημα γραναζιών ταχύτητας στην κορυφή, βάση κάδου και βάση συσκευής (Εικόνα 1),
- Διάταξη άξονα (Εικόνα 2),
- Διάταξη άξονα γραναζιών (Εικόνα 3),
- Διάταξη μοτέρ (Εικόνα 4),
- Διάταξη ανύψωσης κάδου (Εικόνα 5),
- Πλάκα περιστροφής καπακιού κάδου και άξονας ανάμιξης (Εικόνα 6),
- Διάταξη μοχλού ταχύτητας (Εικόνα 7).

### Εικόνα 1: Γρανάζια ταχυτήτων στην κορυφή, βάση κάδου και βάση συσκευής

222836/222966:



Αρ. εξαρτήματος	Όνομα εξαρτήματος	Ποσότητα	Αρ. εξαρτήματος	Όνομα εξαρτήματος	Ποσότητα
1	Κάλυμμα ρουλεμάν	1	22	Ρελέ χρονοδιακόπτη	1
2	Βίδα (M6X16)	4	23	Ρελέ	2
3	Κάλυμμα	1	24	Πυκνωτής	1
4	Ρουλεμάν 6202	1	25	Μικρο-διακόπτης	3
5	Κάλυμμα κέντρου	1	26	Σύνδεσμος καλωδίου	1
6	Κάλυμμα	2	27	Όρθια βάση	1
7	Βίδα (M5X16)	1	28	Πλαίσιο όρθιας βάσης	1
8	Άνω κάλυμμα	1	29	Πλήρης βραχίονας	1
9	Κάλυμμα	1	30	Μανίκι (για μικροδιακόπτη)	1
10	Βίδα (M5X8)	5	31	Παξιμάδι καπακιού (M8)	2
11	Ρουλεμάν 6001	1	32	Παξιμάδι (M8)	4
12	Κάλυμμα	1	33	Βίδα μπολ	2
13	Διακόπτης τροφοδοσίας	1	34	Σταθερή λαβή	2
14	Πίσω κάλυμμα	1	35	Ελατήριο σταθερής λαβής	2
15	Βίδα (M6X35)	4	36	Βίδα (M8X60)	2
16	Πλάκα αντι-ποντικού	1	37	Επίπεδος σφικτήρας	2
17	Ηλεκτρική πλακέτα	1	38	Βίδα (M6X16)	6
18	Μετασχηματιστής	1	39	Βίδα (M4X8)	2
19	Ταινίες στεγανοποίησης ηλεκτρικού κιβωτίου	1	40	Σχάρα μικροδιακόπτη	2
20	Βίδα (M5X8)	4	41	Σώμα	1
21	Ηλεκτρικό κιβώτιο	1	42	Διακόπτης υπερφόρτωσης	1

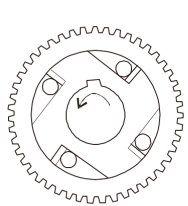
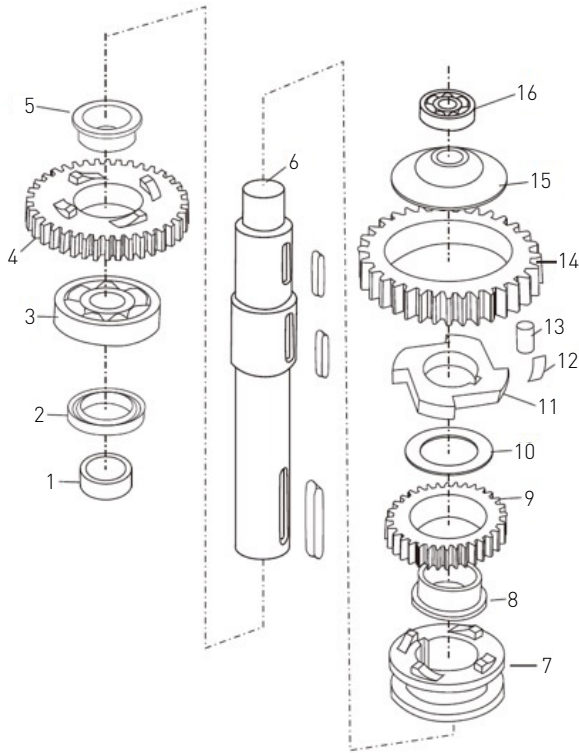


GR

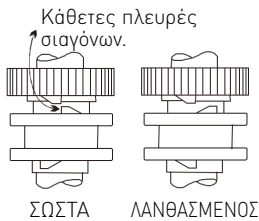
Αρ. εξαρτήματος	Όνομα εξαρτήματος	Ποσότητα	Αρ. εξαρτήματος	Όνομα εξαρτήματος	Ποσότητα
1	Σώμα	1	24	Σύνδεσμος καλωδίου	1
2	Κάλυμμα ρουλεμάν	1	25	Πυκνωτής	1
3	Κάλυμμα	2	26	Χάλκινη βίδα (M5X12)	1
4	Ρουλεμάν (6003)	1	27	Όρθια βάση	1
5	Κάλυμμα	3	28	Πλαίσιο όρθιας βάσης	1
6	Βίδα (M6X45)	1	29	Βίδα (M4X8)	2
7	Άνω κάλυμμα	1	30	Βίδα (M6X16)	6
8	Βίδα (M5X8)	7	31	Πλαίσιο όρθιας βάσης	1
9	Κάλυμμα	1	32	Βραχίονας	1
10	Κάλυμμα κέντρου	1	33	Μανίκι (για μικροδιακόπτη)	1
11	Ρουλεμάν (6201)	2	34	Παξιμάδι καπακιού (M8)	2
12	Βίδα (M6X14)	4	35	Παξιμάδι (M8)	2
13	Ροδέλα 6	4	36	Βίδα μπολ	2
14	Διακόπτης τροφοδοσίας	1	37	Σταθερή λαβή	2
15	Πίσω κάλυμμα	1	38	Ελατήριο σταθερής λαβής	2
16	Βίδα (M6X35)	4	39	Βίδα (M8X60)	2
17	Πλάκα αντι-ποντικού	1	40	Πλαστικό εμπόδιο	1
18	Ηλεκτρική πλακέτα	1	41	Επίπεδος σφικτήρας	2
19	Ρελέ	2	42	Βίδα (M8X25)	4
20	Ταινίες στεγανοποίησης ηλεκτρικού κιβωτίου	1	43	Σχάρα μικροδιακόπτη	1
21	Ηλεκτρικό κιβώτιο	1	44	Μικρο-διακόπτης	2
22	Ρελέ χρονοδιακόπτη	1	45	Διακόπτης υπερφόρτωσης	1
23	Μετασχηματιστής	1			

## Εικόνα 2: Διάταξη άξονα

222836/222966:



Εικόνα 2-1



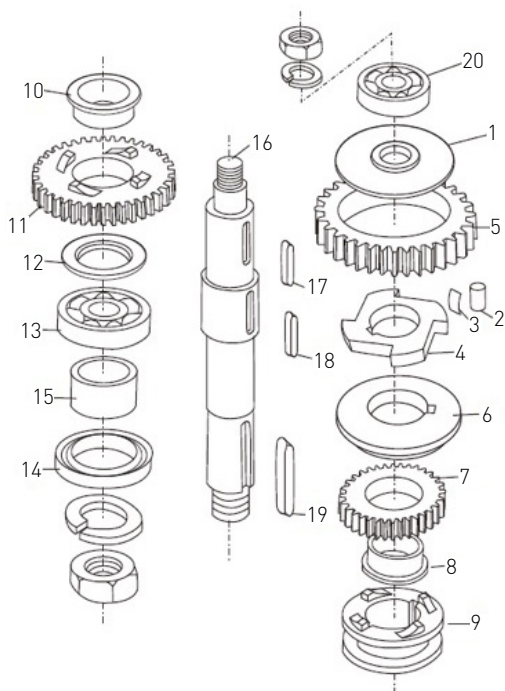
Εικόνα 2-2

### Σημείωση:

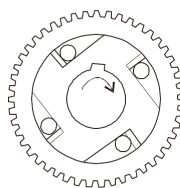
1. Διορθώστε τη θέση και λιπάνετε όλους τους πείρους που εμφανίζονται στην εικόνα 2-1.
2. Ελέγξτε το σφράγισμα λαδιού μετά την επανασυναρμολόγηση.

Αρ. εξαρτήματος	Όνομα εξαρτήματος	Ποσότητα
1	Κάλυμμα	1
2	Τσιμούχα λαδιού	1
3	Ρουλεμάν (6204)	1
4	Γρανάζι συζεύκτη	1
5	Ρουλεμάν	1
6	Κεντρικός άξονας	1
7	Συζεύκτης	1
8	Ρουλεμάν	1
9	Δακτύλιος μικρού γραναζιού	1
10	Δακτύλιος διάιρεσης	1
11	Ενεργοποιητής	1
12	Ελατήριο	1
13	Κύλινδρος	1
14	Δακτύλιος μεγάλου γραναζιού	1
15	Κάλυμμα	1
16	Ρουλεμάν (6001)	1

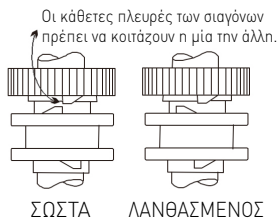




GR



Εικόνα 2-1



Εικόνα 2-2

Σημείωση:

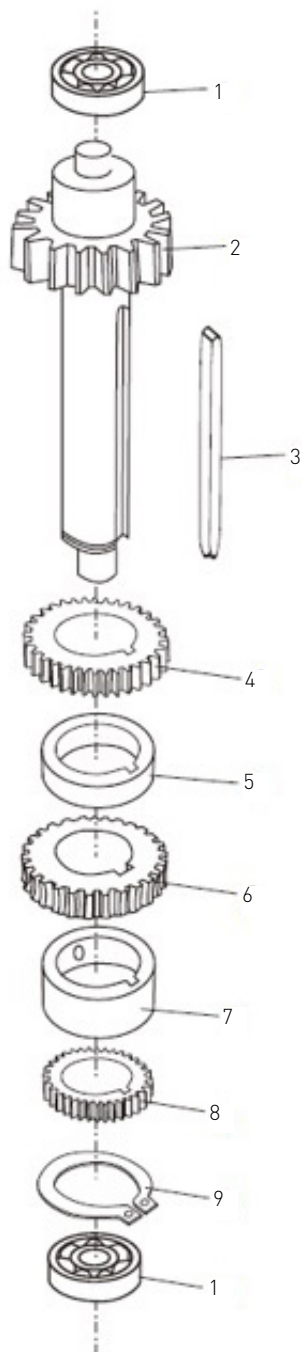
1. Διορθώστε τη θέση και λιπάνετε όλους τους πείρους που εμφανίζονται στην εικόνα 2-1.
2. Ελέγξτε το σφράγισμα λαδιού μετά την επανασυναρμολόγηση.

Αρ. εξαρτήματος	Όνομα εξαρτήματος	Ποσότητα
1	Κάλυμμα	1
2	Κύλινδρος	1
3	Ελατήριο	1
4	Ενεργοποιητής	1
5	Δακτύλιος γραναζιού	1
6	Δακτύλιος διαίρεσης	1
7	Ανώτερο γρανάζι	1
8	Δακτύλιος ρουλεμάν	1
9	Δακτύλιος συμπλέκτη	1
10	Δακτύλιος ρουλεμάν	1
11	Χαμηλότερο γρανάζι	1
12	Δακτύλιος	1
13	Ρουλεμάν (6205)	1
14	Τοιμούκα λαδιού (30X45X10)	1
15	Αποστάτης	1
16	Κεντρικός άξονας	1
17	Κλειδί (6X14)	1
18	Κλειδί (5X35)	1
19	Κλειδί (6X30)	1
20	Ρουλεμάν (6003)	1



### Εικόνα 3: Διάταξη άξονα γραναζιών

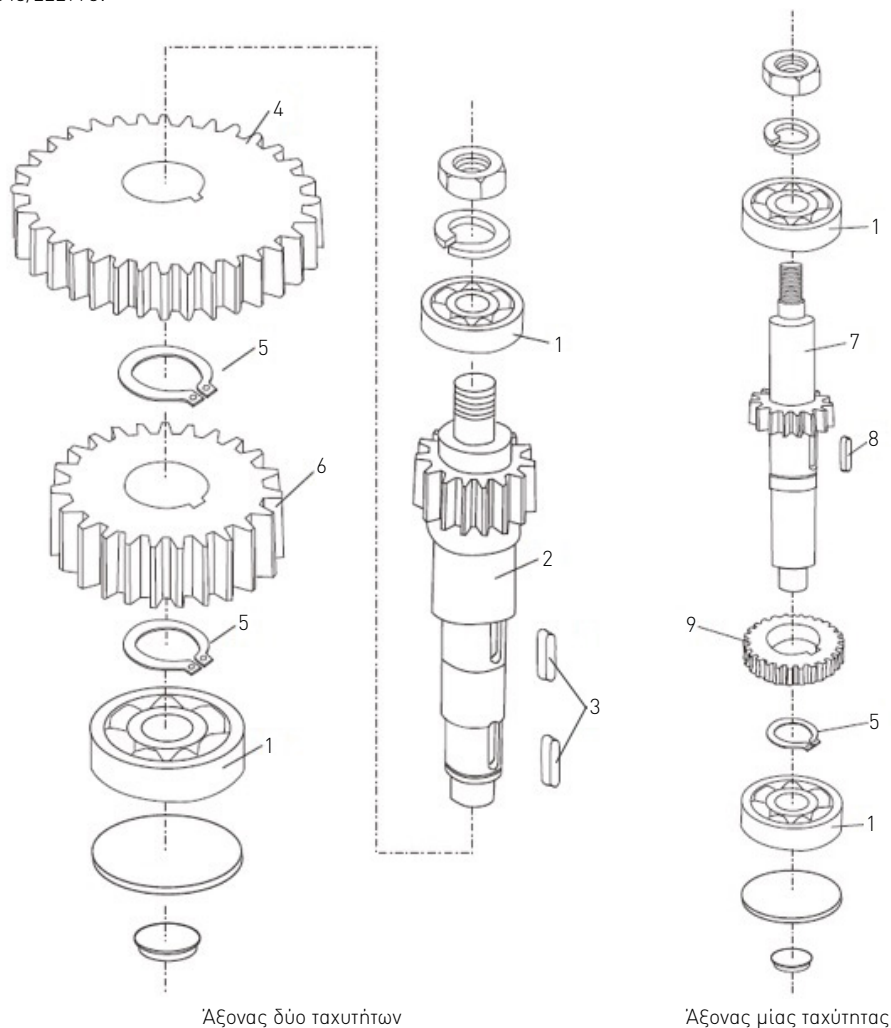
222836/222966:



Αρ. εξαρτήματος	Όνομα εξαρτήματος	Ποσότητα
1	Ρουλεμάν {6001}	2
2	Άξονας μετάδοσης υψηλής ταχύτητας	1
3	Κλειδί {5X58}	1
4	Άνω γρανάζι	1
5	Μικρός αποστάτης	1
6	Χαμηλότερο γρανάζι	1
7	Μεγάλος αποστάτης	1
8	Κάτω γρανάζι	1
9	Δακτύλιος ασφάλισης	1

Σημείωση: Βεβαιωθείτε ότι σε κάθε γρανάζι όλα τα κλειδιά έχουν εισαχθεί.





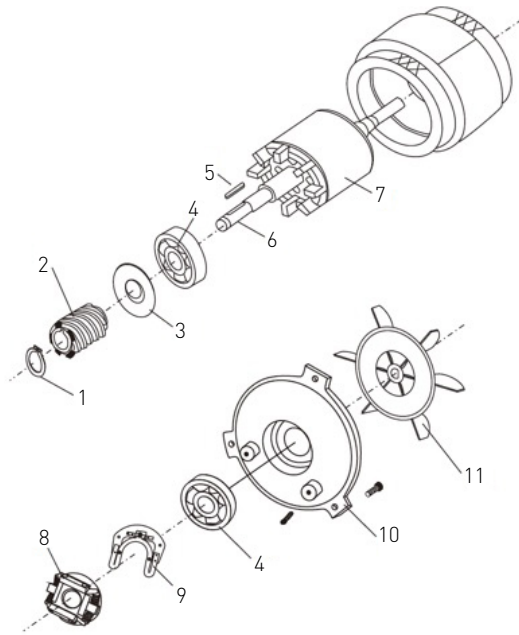
Άξονας δύο ταχυτήτων

Άξονας μίας ταχύτητας

Αρ. εξαρτήματος	Όνομα εξαρτήματος	Ποσότητα	Αρ. εξαρτήματος	Όνομα εξαρτήματος	Ποσότητα
1	Ρουλεμάν (6201)	4	6	Χαμηλότερο γρανάζι	1
2	Άξονας δύο ταχυτήτων	1	7	Άξονας μίας ταχύτητας	1
3	Κλειδί (5X11)	2	8	Κλειδί (5X14)	1
4	Ανώτερο γρανάζι	1	9	Γρανάζι	1
5	Δακτύλιος ασφάλισης	3			

Σημείωση: Βεβαιωθείτε ότι σε κάθε γρανάζι όλα τα κλειδιά έχουν εισαχθεί.

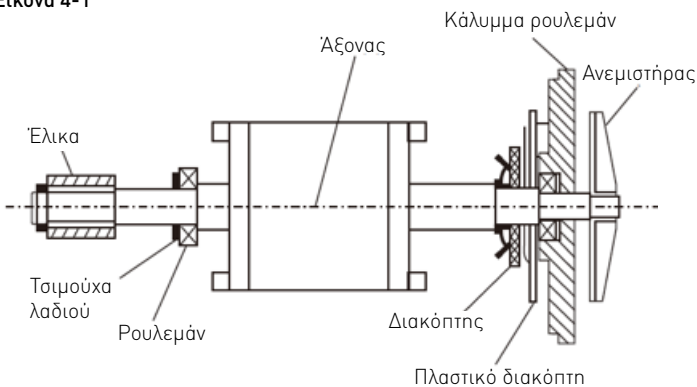
Εικόνα 4: Διάταξη μοτέρ



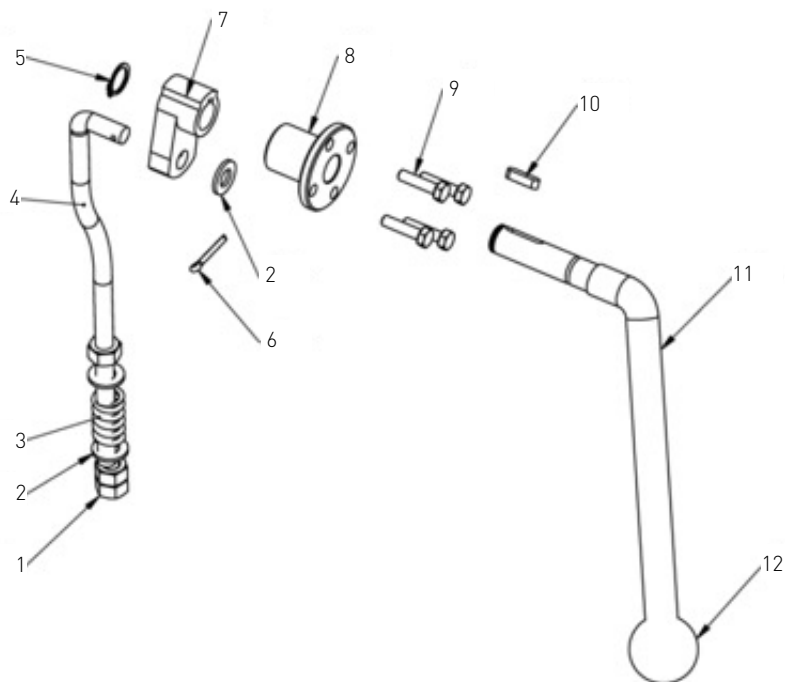
Αρ. εξαρτήματος	Όνομα εξαρτήματος	Ποσότητα	Αρ. εξαρτήματος	Όνομα εξαρτήματος	Ποσότητα
1	Δακτύλιος διακοπής (μόνο 222843)	1	7	Στροφείο	1
2	Έλικά	2	8	Διακόπτης	1
3	Τσιμούχα λαδιού	1	9	Βάση πλαστικού διακόπτη	1
4	Ρουλεμάν	1	10	Κάλυμμα ρουλεμάν	1
5	Κλειδί (4x22)	1	11	Ανεμιστήρας	1
6	Άξονας	1			

GR

Εικόνα 4-1



Εικόνα 5: Διάταξη ανύψωσης κάδου

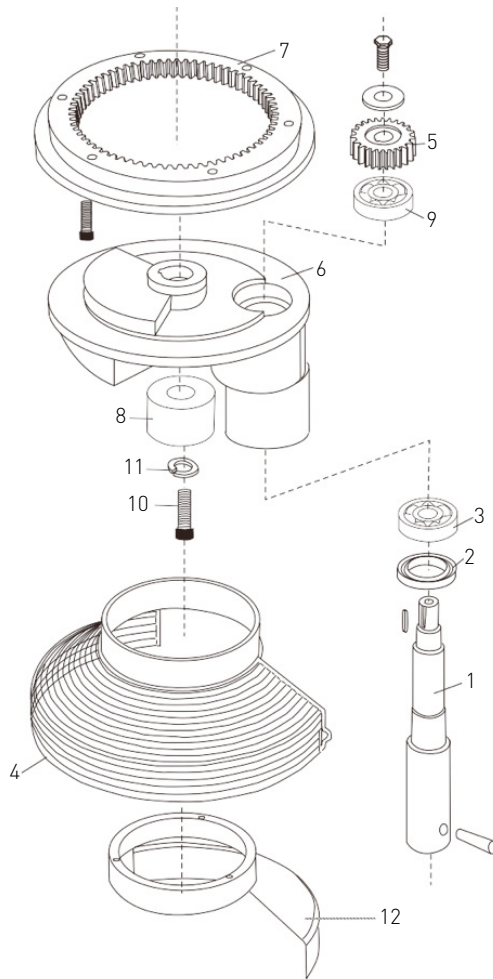


GR

Αρ. εξαρτήματος	Όνομα εξαρτήματος	Ποσότητα	Αρ. εξαρτήματος	Όνομα εξαρτήματος	Ποσότητα
1	Παξιμάδι (M10)	3	7	Τροχός στροφαλοφόρου	1
2	Επίπεδη ροδέλα	2	8	Σύνδεσμος φλάντζας	1
3	Δακτύλιος βραχίονα	1	9	Βίδα (M6X25)	4
4	Ανυψωτική μπάρα	1	10	Κλειδί (5x20)	1
5	Δακτύλιος διακοπής	1	11	Λαβή ανύψωσης μπολ	1
6	Πείρος	1	12	Πλαστική μπάλα	1

## Εικόνα 6: Πλάκα περιστροφής και πλάκα ανάμ

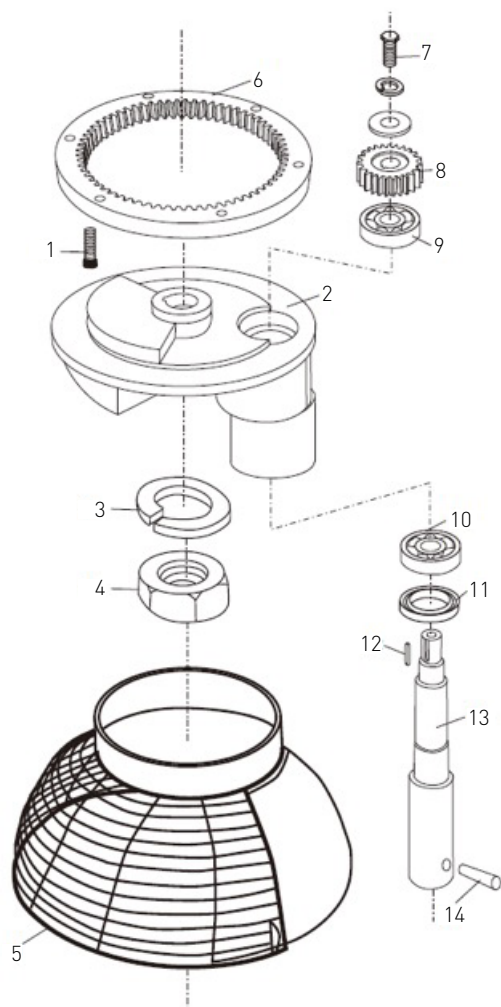
222836/222966:



Αρ. εξαρτήματος	Όνομα εξαρτήματος	Ποσότητα	Αρ. εξαρτήματος	Όνομα εξαρτήματος	Ποσότητα
1	Άξονας ανάμιξης	1	7	Εσωτερικό γρανάζι	1
2	Τσιμούκα λαδιού (20X40X10)	1	8	Κάλυμμα	1
3	Ρουλεμάν	1	9	Ρουλεμάν	1
4	Προστατευτικό μπολ	1	10	Βίδα (M8X20)	1
5	Πλανητικό γρανάζι	1	11	Ροδέλα	1
6	Περιστρεφόμενη πλάκα	1	12	Πίσω κάλυμμα προστατευτικού μπολ	1

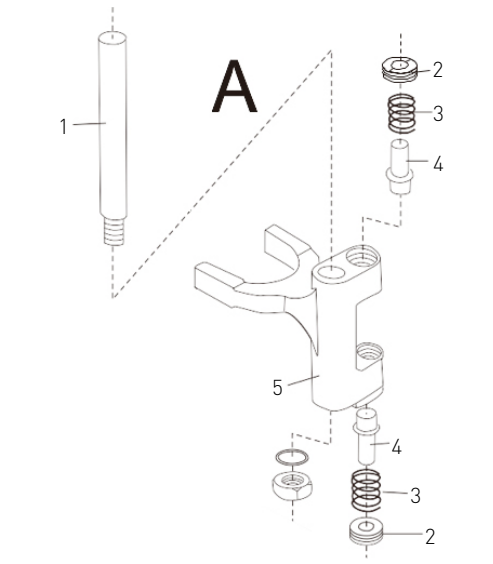
GR



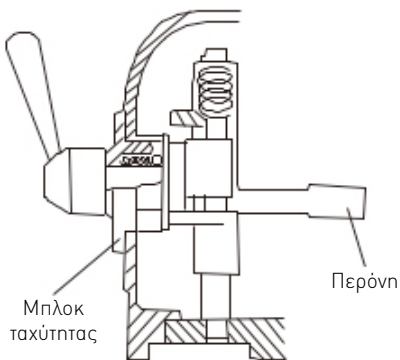
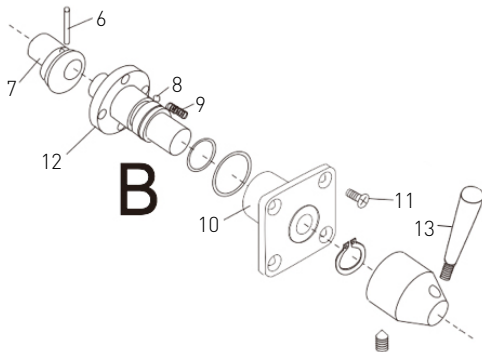


Αρ. εξαρτήματος	Όνομα εξαρτήματος	Ποσότητα	Αρ. εξαρτήματος	Όνομα εξαρτήματος	Ποσότητα
1	Βίδα (M6X25)	1	8	Πλανητικό γρανάζι	1
2	Περιστρεφόμενη πλάκα	1	9	Ρουλεμάν (6203)	1
3	Ροδέλα	1	10	Ρουλεμάν (6204)	1
4	Παξιμάδι (M18)	1	11	Τσιμούχα λαδιού (25X50X10)	1
5	Προστατευτικό μπολ	1	12	Κλειδί (5X18)	1
6	Εσωτερικό γρανάζι	1	13	Άξονας ανάμιξης	1
7	Βίδα (M8X15)	1	14	Πείρος	1

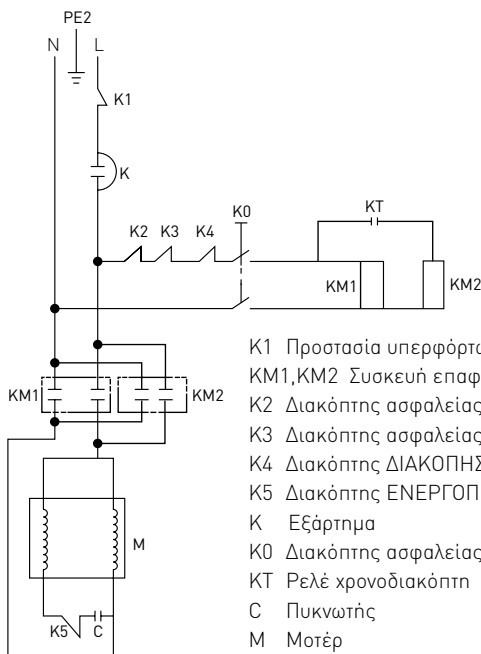
Εικόνα 7: Διάταξη μοχλού ταχύτητας



Αρ. εξαρτήματος	Όνομα εξαρτήματος	Ποσότητα	
A	1	Ράβδος	1
	2	Παξιμάδι	1
	3	Ελατήριο	1
	4	Άξονας	1
	5	Πιρούνι	1
B	6	Πείρος (3X20)	1
	7	Σύνδεσμος	1
	8	Χαλύβδινο ρουλεμάν	3
	9	Ελατήριο	3
	10	Κάλυμμα εμποδίου	1
	11	Βίδα (M5X10)	1
	12	Άξονας	1
	13	Μοχλός	1



## Διάγραμμα κυκλώματος



### Εγγύηση

Οποιοδήποτε ελάττωμα επηρεάζει τη λειτουργικότητα της συσκευής που γίνεται προφανές δύο χρόνια μετά την αγορά της, θα διορθώνεται με δωρεάν επισκευή ή αντικατάσταση, αρκεί η συσκευή να έχει χρησιμοποιηθεί και συντηρηθεί σύμφωνα με τις οδηγίες και να μην έχει γίνει κατάχρηση ή λανθασμένη χρήση της με οποιονδήποτε τρόπο. Δε θίγονται τα νόμιμα δικαιώματά σας. Εάν η συσκευή υποστηρίζεται

από εγγύηση, δηλώστε πού και πότε έχει αγοραστεί και συμπεριλάβετε την απόδειξη αγοράς (π.χ. απόδειξη λιανικής πώλησης).

Σύμφωνα με την πολιτική μας για τη συνεχή εξέλιξη των προϊόντων μας, διατηρούμε το δικαίωμα να αλλάξουμε το προϊόν, τη συσκευασία και τις προδιαγραφές τεκμηρίωσής του χωρίς προειδοποίηση.

### Απόρριψη & Περιβάλλον

Η συσκευή, μετά το πέρας της διάρκειας ζωής της, δεν πρέπει να απορρίπτεται ως οικιακό απόρριμμα. Πρέπει να απορρίπτεται, με δική σας ευθύνη, σε καθορισμένο σημείο συλλογής. Η μη τήρηση αυτού ενδέχεται να τιμωρείται σύμφωνα με τους ισχύοντες κανονισμούς για τη διάθεση των απορριμμάτων. Η χωριστή συλλογή και ανακύκλωση αυτής της συσκευής κατά τη στιγμή της απόρριψης βοηθά στη διατήρηση των φυσικών πόρων και εξασφαλίζει την

ανακύκλωσή της με τρόπο που προστατεύει την ανθρώπινη υγεία και το περιβάλλον. Για περισσότερες πληροφορίες σχετικά με το πού μπορείτε να απορρίψετε τη συσκευή για ανακύκλωση, επικοινωνήστε με την τοπική εταιρεία συλλογής απορριμμάτων. Οι κατασκευαστές και οι εισαγωγείς δεν αναλαμβάνουν την ευθύνη ανακύκλωσης, επεξεργασίας και οικολογικής διάθεσης, είτε άμεσα είτε μέσω δημόσιου συστήματος.

ΣΕΡΒΙΣ ΕΛΛΑΔΟΣ:

Τηλ.: 213 0 998989 (10 γραμμές)

info@pks-hendi.com









# HENDI

Hendi B.V.  
Innovatielaan 6  
6745 XW De Klomp  
The Netherlands

Tel: +31 317 681 040  
Fax: +31 317 681 045  
Email: info@hendi.eu  
www.hendi.eu

**Declaration of conformity/ Konformitätserklärung/ Conformanceverklaring/ Deklaracja Zgodności/ Déclaration de conformité/ Dichiarazione di conformità/ Declarație de conformitate/ Декларация соответствия/ Δήλωση συμμόρφωσης**

Hendi BV hereby declares under his own responsibility that the product:/ Hendi BV erklart unter seiner alleinigen verantwortung, dass Produkte:/ Hendi BV verklaart hierbij, onder eigen verantwoordelijkheid, dat de producten:/ Hendi BV oświadcza, na swoją wyłączną odpowiedzialność, że poniższe produkty:/ Hendi BV déclare, sous sa seule responsabilité, que les produits suivants:/ Hendi BV dichiara, sotto la sua esclusiva responsabilità, che i seguenti prodotti:/ Hendi BV declară pe propria răspundere că produsele:/ Hendi BV заявляет с полной ответственностью, что следующие продукты:/ Hendi BV δηλώνει με δική της ευθύνη ότι τα προϊόντα:

Product number: / Produktnummer: / Productnummer: / Kod Produktu: /  
Code produit: / Codice prodotto: / Numărul: / Код Продукта: / Αριθμός προϊόντος:

222829, 222836, 222843

Product name: / Produktname: / Productomschrijving: / Nazwa Produktu: /  
Nom du produit: / Nome del prodotto: / Denumirea produsului: / Название  
Продукта: / Ονομασία προϊόντος:

Heavy Duty (Planetary) Mixer 7 liter - 10 liter - 20 liter  
Schwerlast-(Planeten)-Mischer 7 Liter - 10 Liter - 20 Liter  
Heavy-duty (planetaire) mixer 7 liter - 10 liter - 20 liter  
Wytzrzymaly (planetarny) mikser 7 litrów - 10 litrów - 20 litrów  
Mélangeur à usage intensif (planétaire) 7 litres - 10 litres - 20 litres  
Robusta miscelatrice (planetaria) da 7 litri - 10 litri - 20 litri  
Mixer (planetar) de regim greu de 7 litri - 10 litri - 20 litri  
(Планетарный) промышленный миксер 7 литров - 10 литров - 20  
литров  
Έντονος χρήσης (Πλανητικό) Μίξερ 7 λίτρων - 10 λίτρων - 20 λίτρων

Brand: / Marke: / Merk: / Marka: / Marque: / Marchio: / Brand: / Марка: / Мάρκα:

Hendi

Meets the essential requirements as described in: /  
Erfüllt die Anforderungen wie beschrieben in: /  
Voldoet aan de essentiële vereisten zoals beschreven in: /  
Spetnia wymagania zasadnicze określone w następujących dyrektywach: /  
Répond aux exigences essentielles définies dans les directives suivantes: /  
Il prodotto soddisfa i requisiti essenziali stabiliti nelle seguenti direttive: /  
Îndeplinește cerințele esențiale descrise în: /  
Соответствует основным требованиям, записанным в следующих директивах: /  
Πληροί τις βασικές απαιτήσεις όπως περιγράφεται στο:

2006/42/EC  
2014/30/EU  
2011/65/EU & amendment 2015/863/EU

Has been engineered and manufactured in conformity to harmonized standards: /  
Wurde in Übereinstimmung mit harmonisierten Normen entwickelt und hergestellt: /  
Is ontwikkeld en vervaardigd in overeenstemming met geharmoniseerde normen: /  
Został zaprojektowany i wykonany zgodnie z normami zharmonizowanymi: /  
Il a été conçu et fabriqué selon des normes harmonisées: /  
Il prodotto è stato progettato e realizzato secondo standard armonizzati: /  
A fost proiectat și fabricat în conformitate cu standardele în vigoare: /  
Спроектирован и сделан в соответствии с согласованными стандартами: /  
Έχει σχεδιαστεί και κατασκευαστεί σύμφωνα με τα ενωμοποιημένα πρότυπα:

EN 55014-1:2017  
EN 55014-2:2015  
EN 61000-3-2:2014  
EN 61000-3-3:2013  
EN 454:2014  
EN 60335-1:2012+ A11:2014+ A13:2017  
EN 60335-2-64:2000+ A1:2002  
EN 62233:2008

Meets the requirements as described in regulations: /  
Erfüllt die Anforderungen wie beschrieben in: /  
Voldoet aan de eisen zoals beschreven in verordening: /  
Spetnia wymagania określone w rozporządzeniach: /  
Répond aux exigences énoncées dans les règlements: /  
Il prodotto soddisfa i requisiti specificati nelle normative: /  
Îndeplinește cerințele descrise în regulamentul: /  
Соответствует требованиям, записанным в декретах: /  
Πληροί τις απαιτήσεις όπως περιγράφονται στους κανονισμούς:

1935/2004/EC  
2023/2006/EC

Technical documentation available at the company's headquarters: /  
Technische Dokumentation am Hauptsitz: /  
Technische documentatie beschikbaar op het hoofdkantoor: /  
Dokumentacja techniczna dostępna w siedzibie firmy: /  
Documentation technique disponible au siège de l'entreprise: /  
Documentazione tecnica disponibile presso la sede dell'azienda: /  
Documentația tehnică este disponibilă la sediul companiei: /  
Техническая документация доступна в главном офисе компании: /  
Η τεχνική τεκμηρίωση είναι διαθέσιμη στα κεντρικά γραφεία της εταιρείας:

Hendi B.V., Innovatielaan 6, 6745 XW De Klomp, The Netherlands

De Klomp, 18-01-2021

R.E. Vooijs  
Purchasing Manager







# HENDI

Tools for Chefs

## Hendi B.V.

Innovatielaan 6  
6745 XW De Klomp, The Netherlands  
**Tel:** +31 317 681 040  
**Email:** info@hendi.eu

## Hendi Polska Sp. z o.o.

ul. Firmowa 12  
62-023 Robakowo, Poland  
**Tel:** +48 61 658 7000  
**Email:** info@hendi.pl

## Hendi Food Service Equipment GmbH

Ehring 15  
5112 Lamprechtshausen, Austria  
**Tel:** +43 6274 200 10 0  
**Email:** office.austria@hendi.eu

## Hendi Food Service Equipment Romania S.R.L.

Str. 13 decembrie 94A, Hala 14  
Braşov, 500164, Romania  
**Tel:** +40 268 320330  
**Email:** office@hendi.ro

## PKS Hendi South East Europe SA

5 Metsovou Str.  
18346 Moschato, Athens, Greece  
**Tel:** +30 210 4839700  
**Email:** info@pks-hendi.com

## Hendi Italia S.R.L.

Via Leonardo da Vinci 4  
39100 Bolzano (BZ), Italy  
**Tel:** +39 800 727 438  
**Email:** office.italy@hendi.eu

## Hendi HK Ltd.

1208, 12/F Exchange Tower  
33 Wang Chiu Road, Kowloon Bay, Hong Kong  
**Tel:** +852 2154 2618  
**Email:** info-hk@hendi.eu

## Find Hendi on internet:

[www.hendi.eu](http://www.hendi.eu)  
[www.facebook.com/HendiToolsforChefs](https://www.facebook.com/HendiToolsforChefs)  
[www.linkedin.com/company/hendi-food-service-equipment-b.v.](https://www.linkedin.com/company/hendi-food-service-equipment-b.v.)  
[www.youtube.com/HendiEquipment](https://www.youtube.com/HendiEquipment)

- Changes, printing and typesetting errors reserved.  
- Änderungen und Druckfehler vorbehalten.  
- Wijzigingen en drukfouten voorbehouden.  
- Producent zastrzega sobie prawo do zmian oraz błądów drukarskich w instrukcji.  
- Variations et fautes d'impression réservés.

- Errori di cambiamenti, di stampa e di impaginazione riservati.  
- Drepturi rezervate cu privire la modificări și greșeli de imprimare.  
- Изменения, печати и верстки ошибки защищены.  
- Με επιφύλαξη αλλαγών, λαθών εκτύπωσης και στοιχειοθεσίας.